



SUA-110H28x-x-S175

SHELL :

COLOR :

Blank : BRASS

Black: B

I : SPCC

White : W

**SPECIFICATIONS**

**Electrical:**

- 1.Current Rating: 1.5A / contact terminal
- 2.Voltage Rating: 30V DC
- 3.Contact Resistance: 30 mΩ Max
- 4.Dielectric Withstanding Voltage: 500 V AC AT Sec Level
- 5.Insulation Resistance: 1,000 MΩ Min

**Mechanical:**

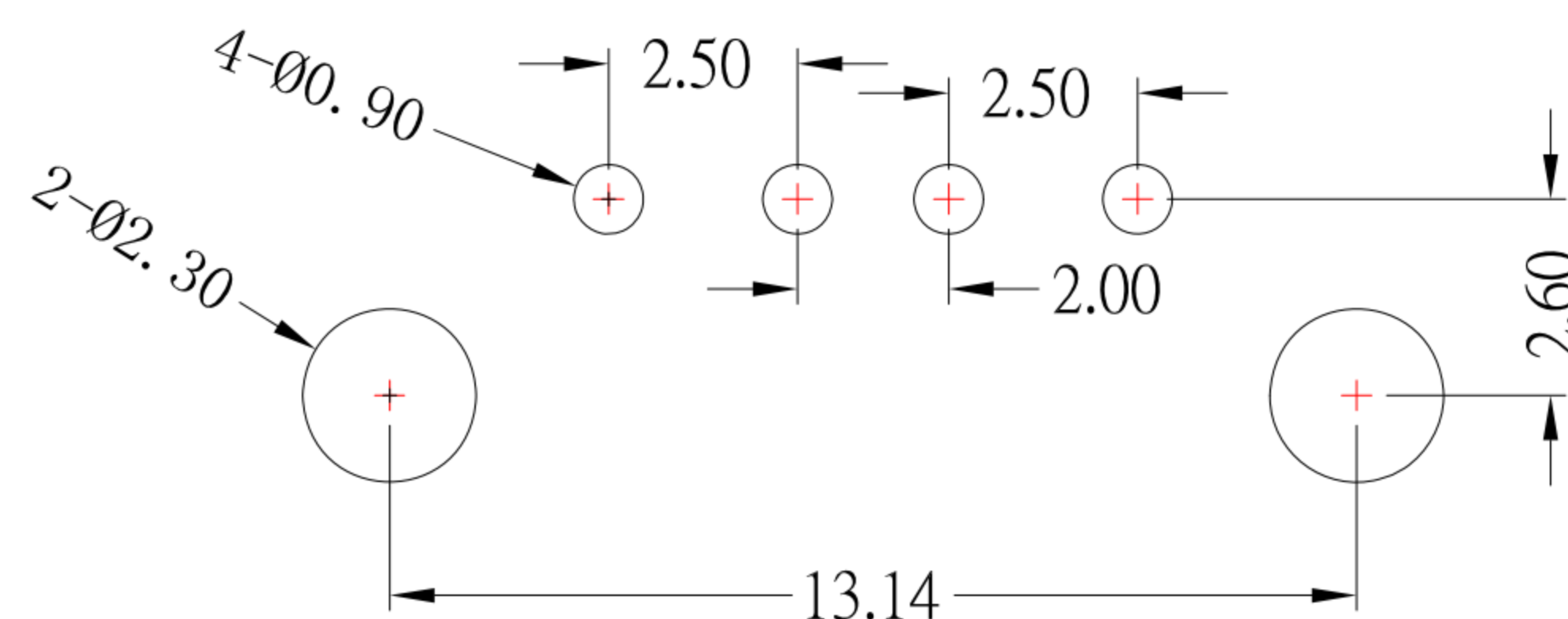
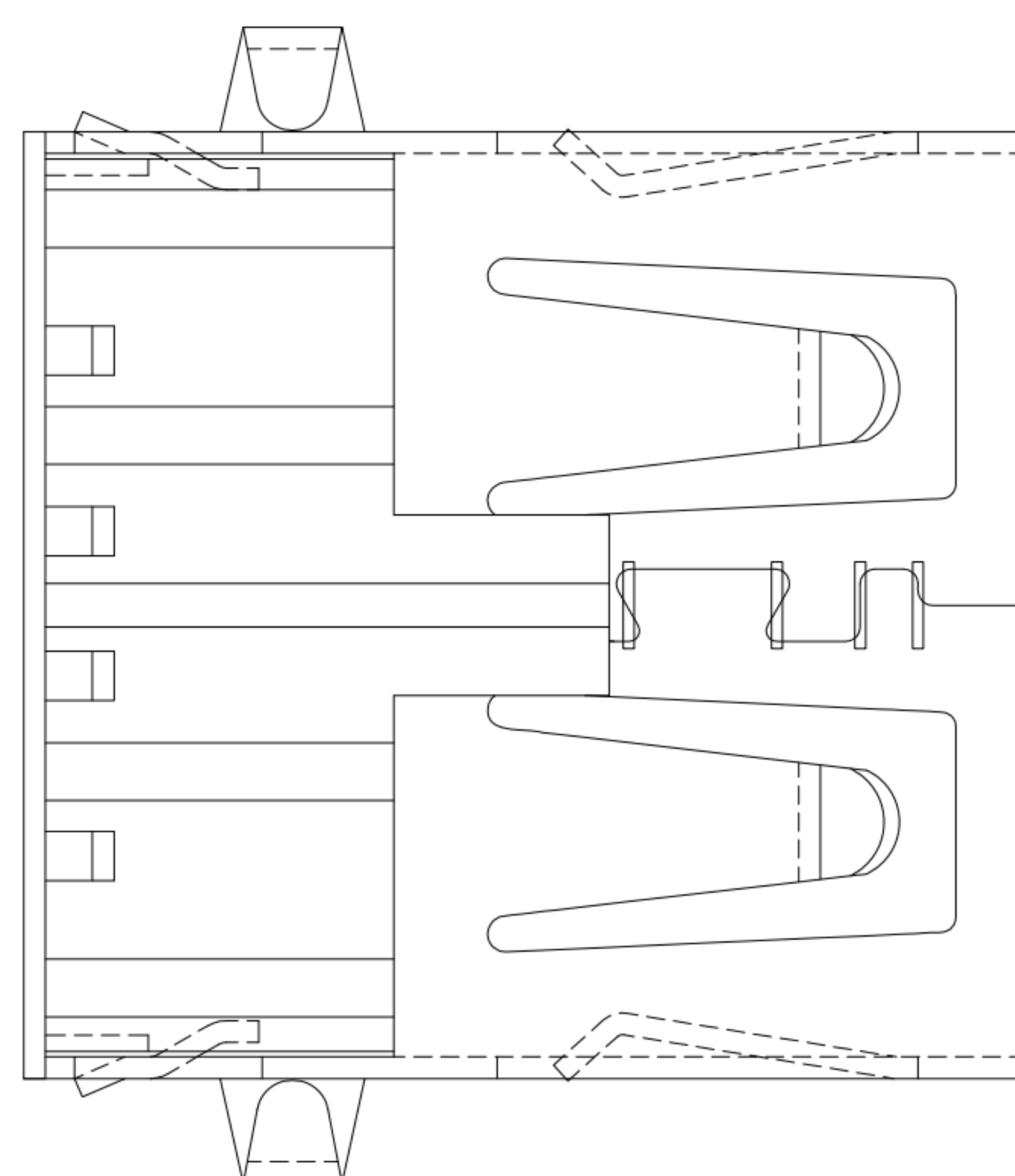
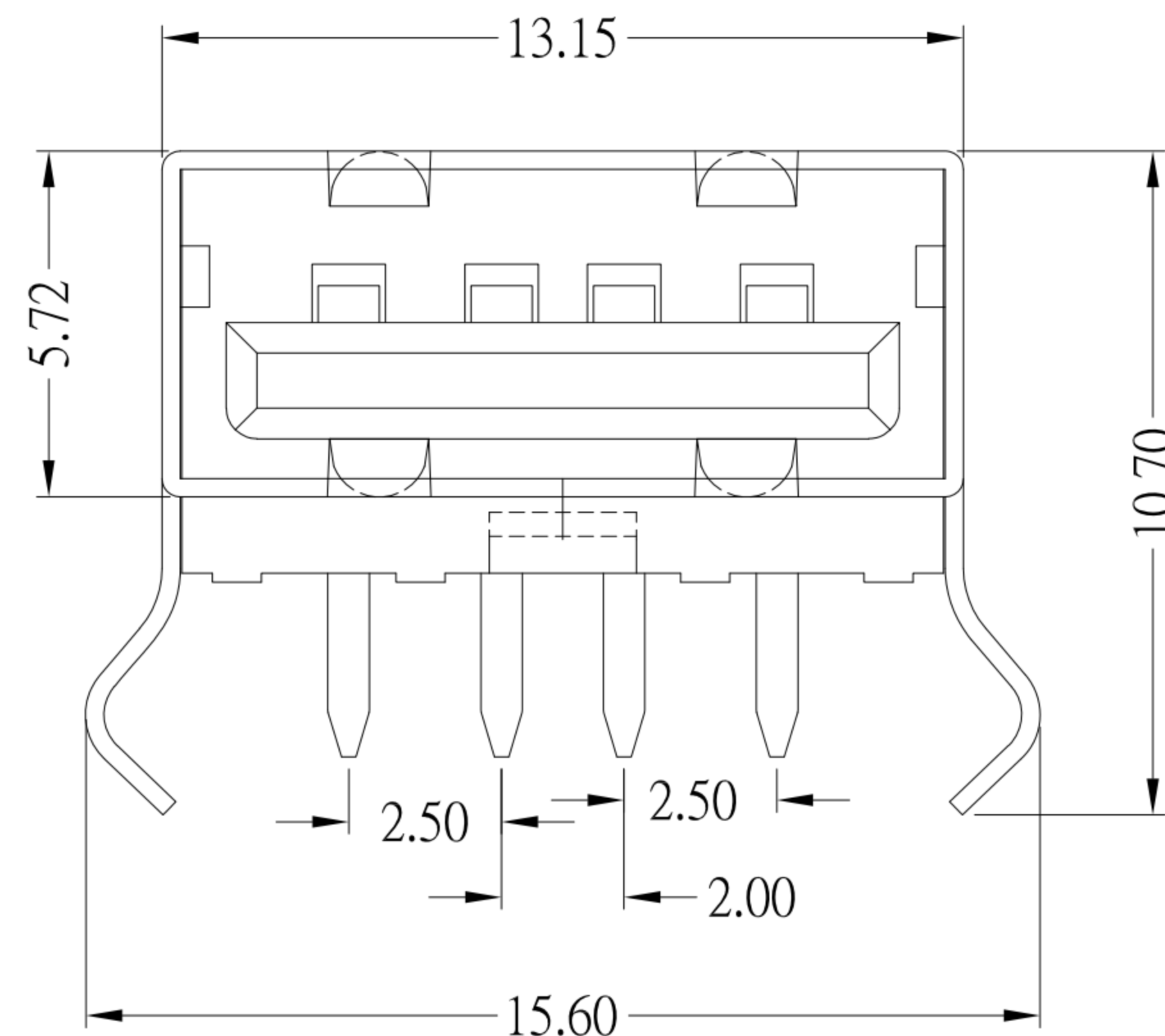
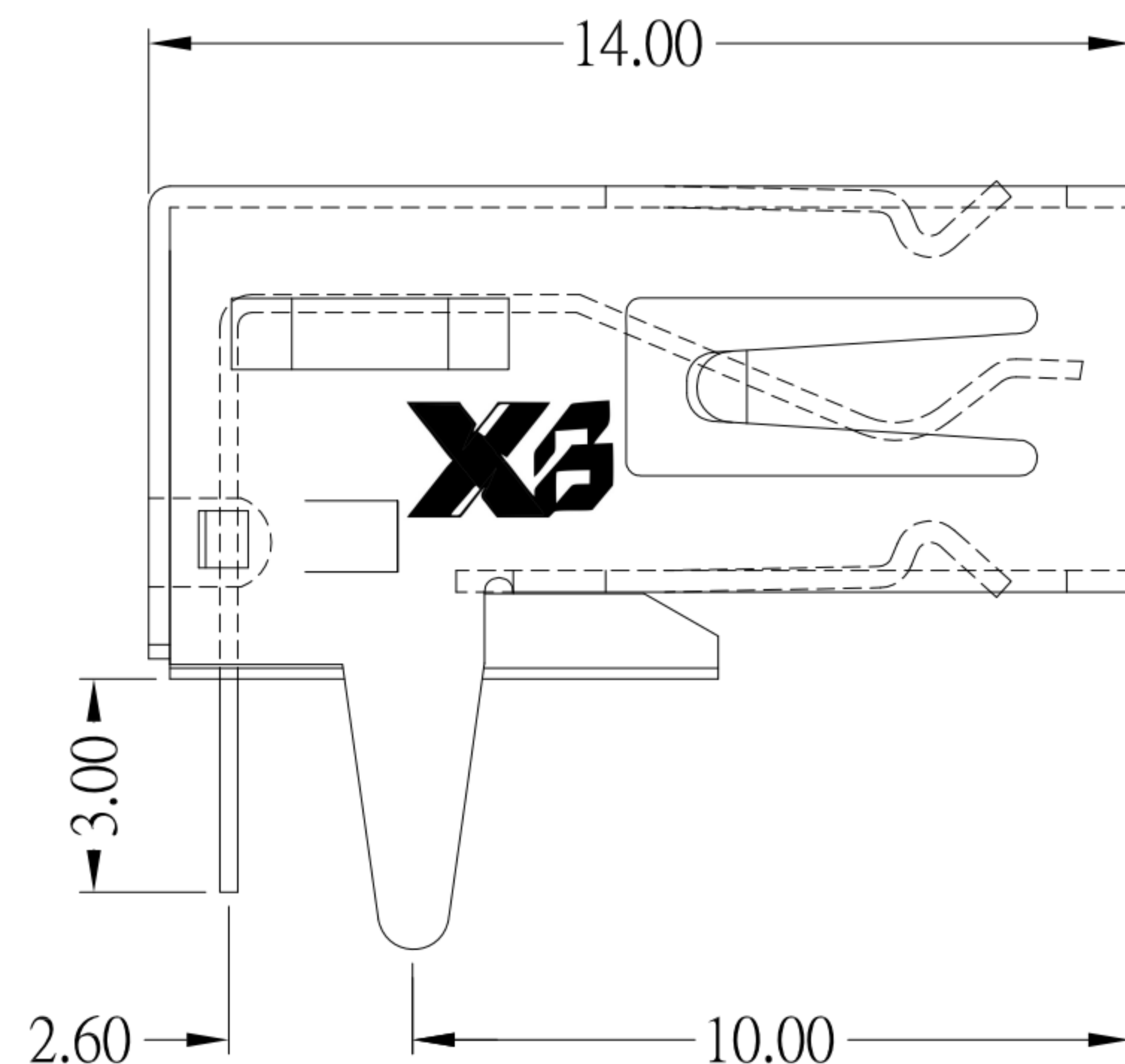
- 1.Connector Mate and Unmate Force  
Mate force: 3.57 kgf (Max)  
Unmate force: 1.02 kgf (Min)
- 2.Terminal Retention: 1.2 kgf (Min)

**Material:**

- 1.Housing: PBT,UL 94V-0
- 2.Contact: BRASS
- 3.Shell: BRASS / SPCC

**Finish:**

- 1.Contact: Plated Gold in Mating Area ;  
Tin Plated on Solder Balls ;  
Nickel under plated overall
- 2.Shell: Nickel under Plated surface layer



P.C.B LAYOUT MOUNTING PATTERN

**XGB** 东莞市溪榜电子有限公司  
Switch Connector DONG GUAN XI BANG ELECTRONICS CO., LTD

TOLERANCE UNLESS OTHERWISE STATED :

Up to 5	±0.2
Above 5 ~ 15	±0.3
Above 15 ~ 30	±0.4
Above 30 ~ 50	±0.5
Angle	±0.3°

3RD. ANGEL'S

UNITS MM

DRAWN BY:	DATE	MAT'L	TITLE	CONNECTOR
Jack Lu	06/15/15			
CHECKED BY:	DATE	FINISH	MODLE	USB AF DIP 90度 無捲邊膠芯反向
Jacky Chen	06/15/15			
APPROVED BY:	DATE	SCALE	DWG NO.	SUA-110H28x-x-S175
Tony Kao	06/15/15	1 : 1	PART NO.	SUA-110H28x-x-S175
SHEET NO.		1 of 1	SIZE A4	
			VER R2	

2	更新Housing材質	Jack	061515
1	更新Housing材質	Jack	061215
ITEM NO.	DESCRIPTION	DRAWN	DATE