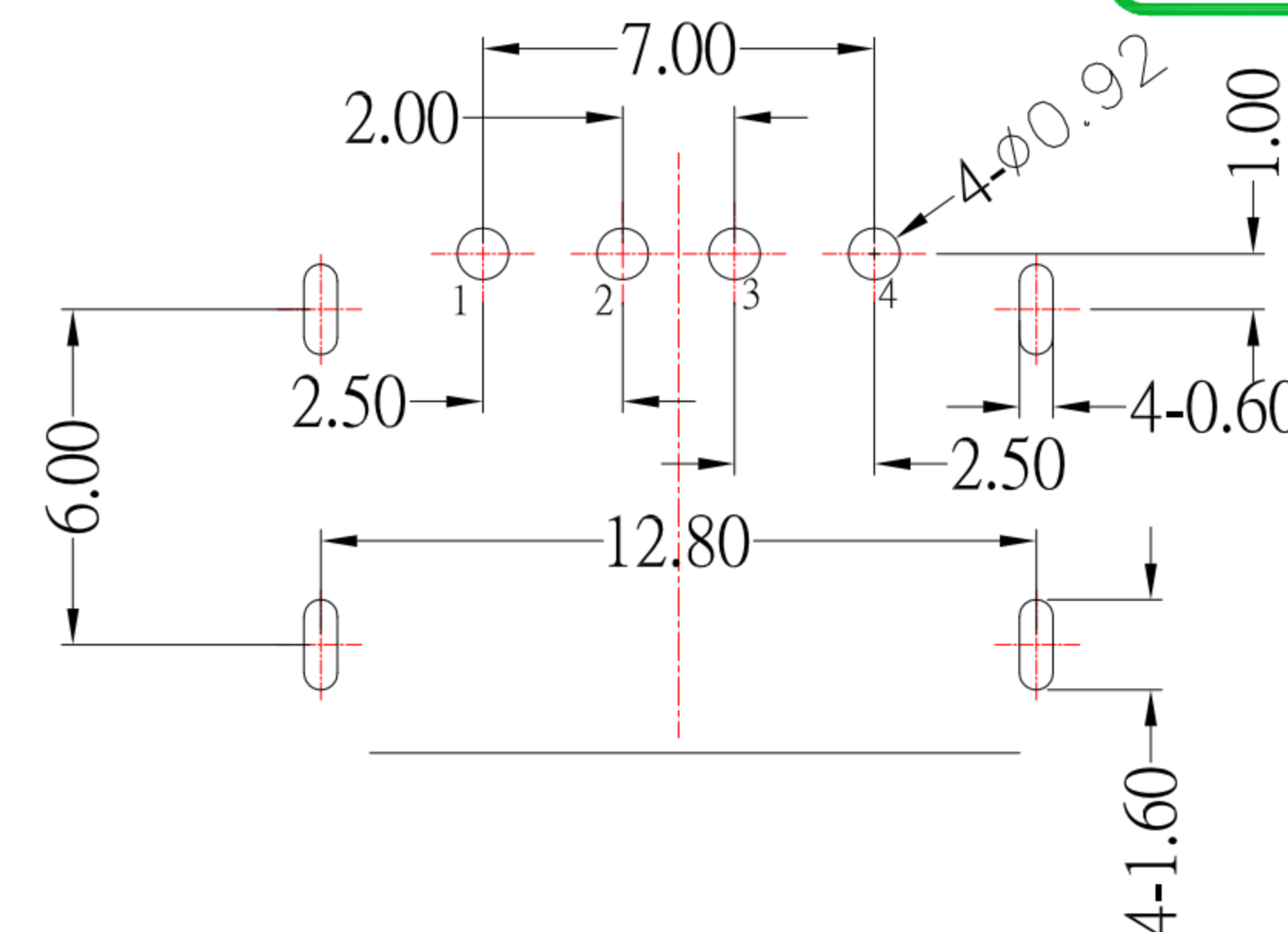
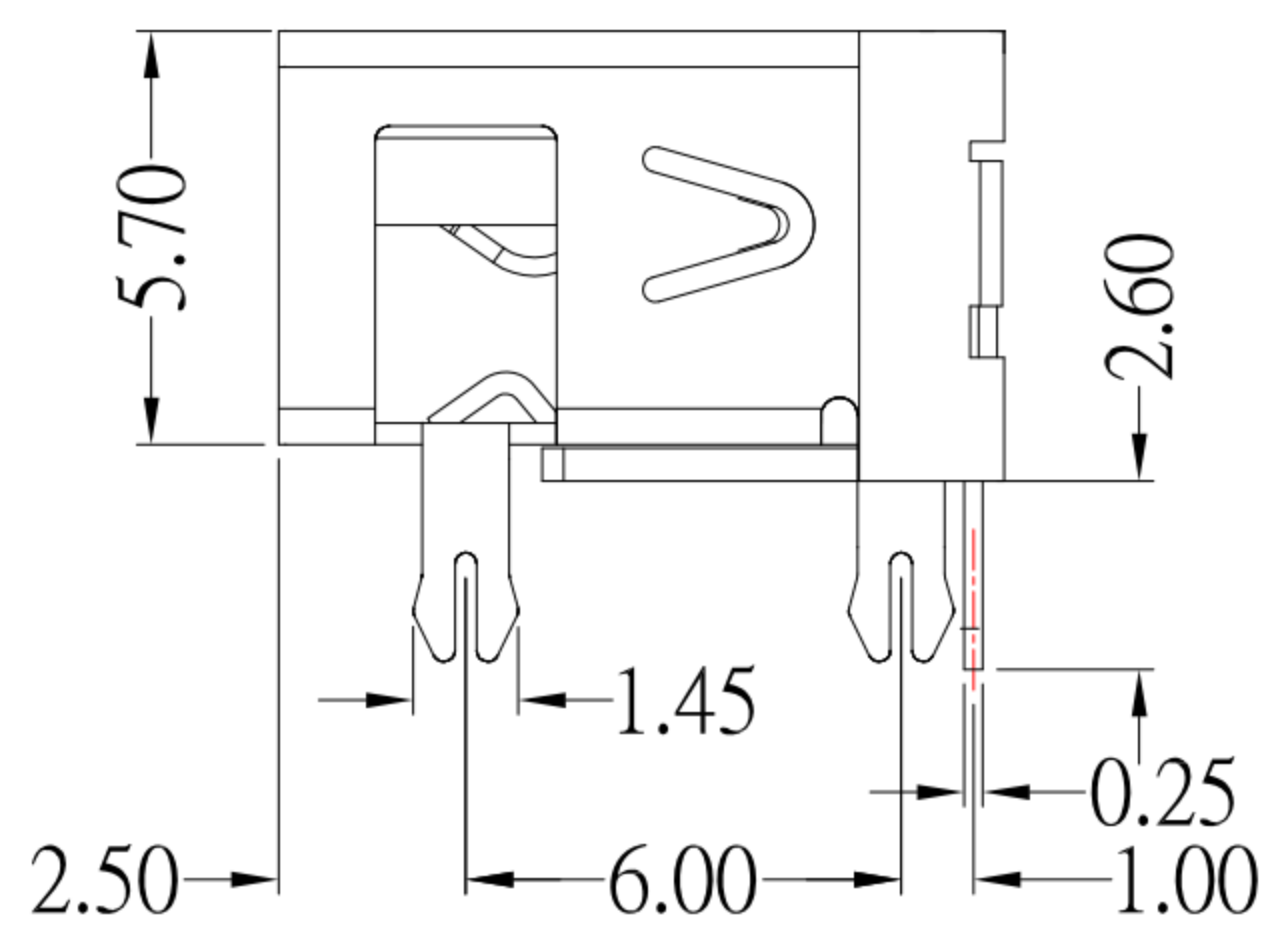
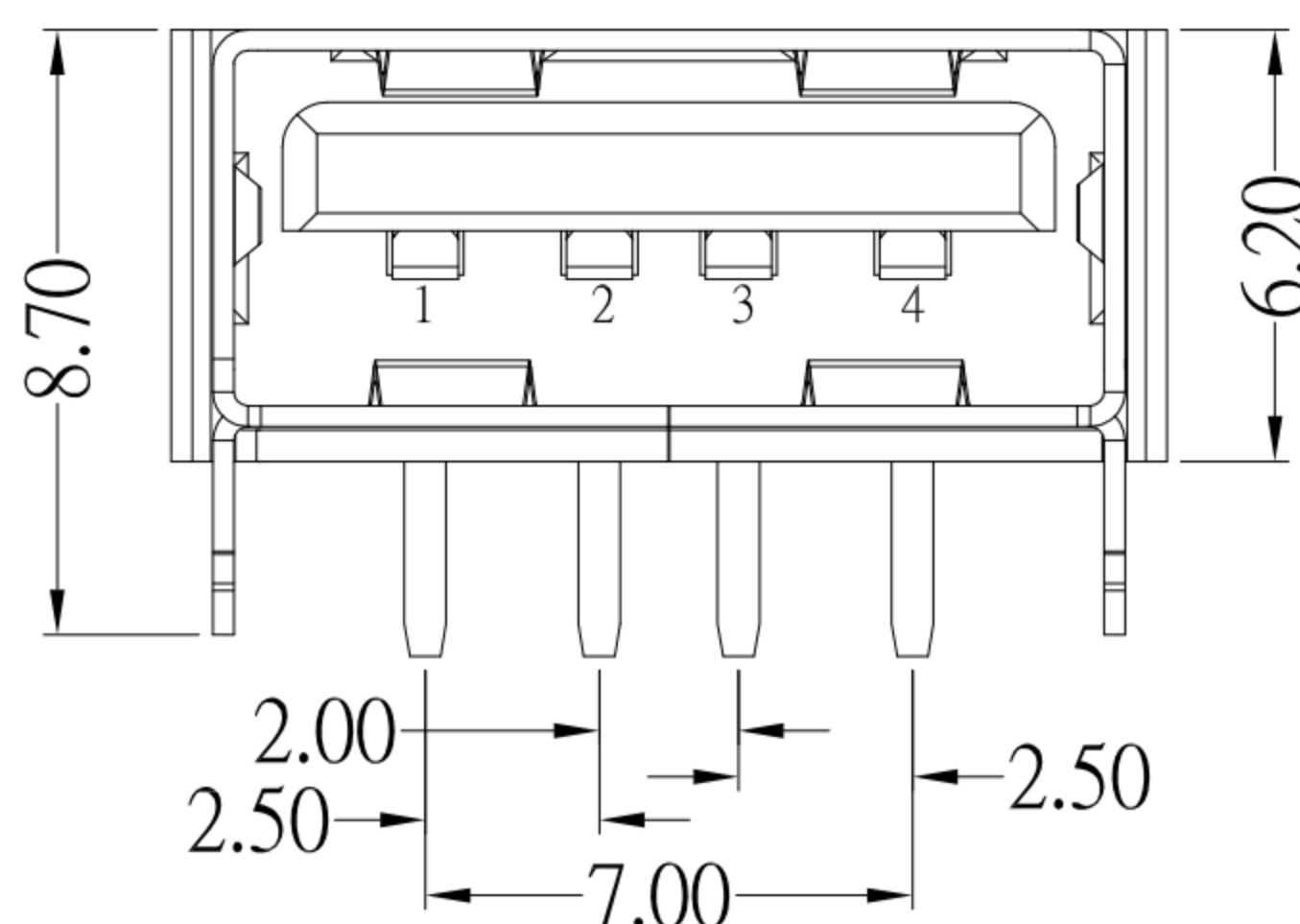


SUA-110H20Bx-x-S236

SHELL :	COLOR :
Blank : BRASS	Black: B
I : SPCC	White : W



P.C.B LAYOUT MOUNTING PATTERN



SPECIFICATIONS

Electrical:

- 1.Contact Resistance: 30 mΩ Max
- 2.Dielectric Withstanding Voltage: 500 V AC / 1 minute
- 3.Insulation Resistance: 1,000 MΩ Min

Mechanical:

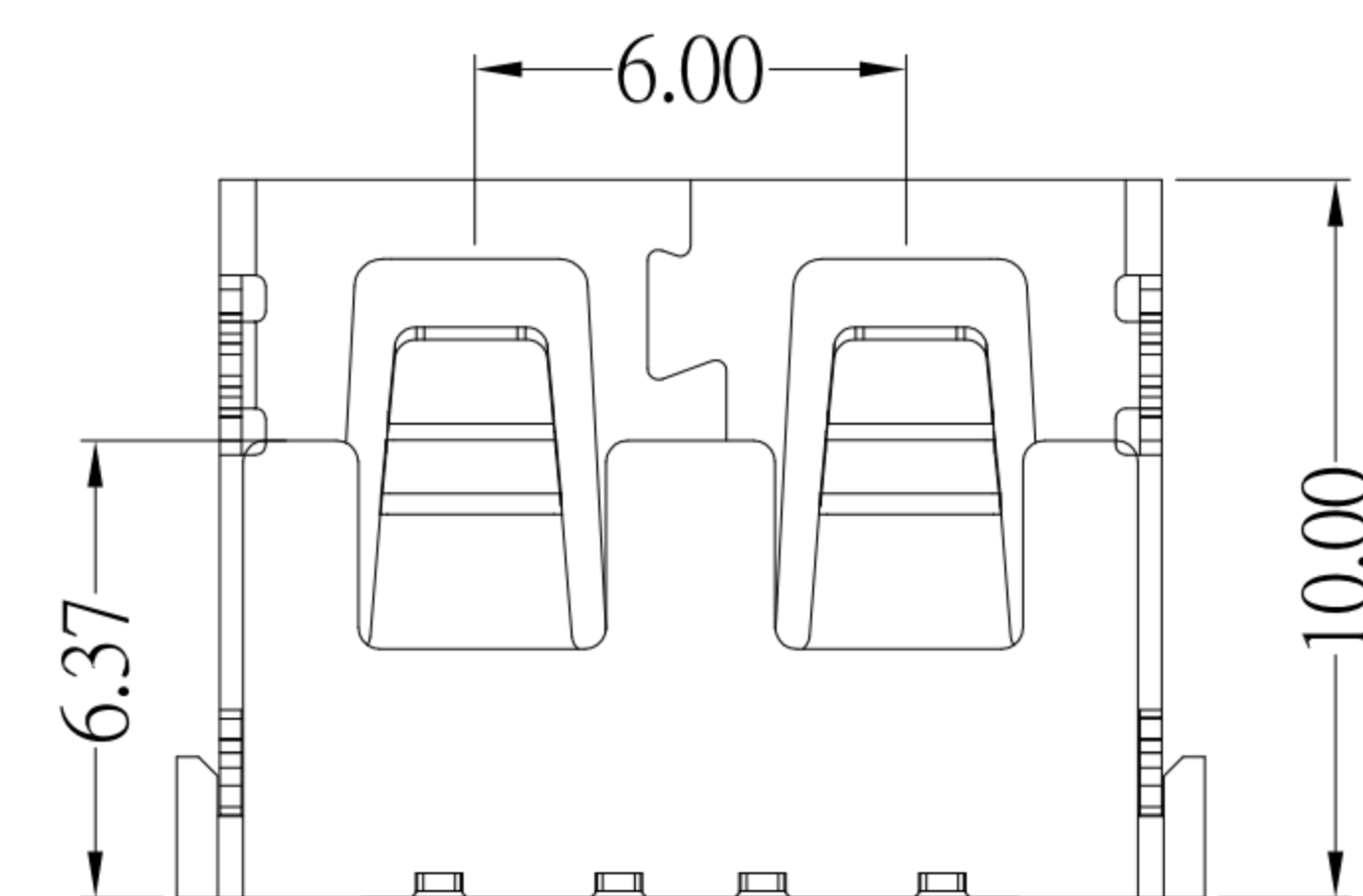
- 1.Connector Mate and Unmate Force
 - 1.1 Mate force: 35 N (Max)
 - 1.2 Unmate force: 10N (Min)

Material:

- 1.Housing: PBT
- 2.Contact: Copper Alloy
- 3.Shell: Brass / Spcc

Finish:

- 1.Contact: Plated Gold in Mating Area ;
Tin Plated on Solder Balls ;
Nickel under plated overall
- 2.Shell: Nickel under Plated surface layer



PIN ASSIGNMENT

PIN NO.	1	2	3	4
SINGAL NAME	VBUS	D-	D+	GND

4	更新尺寸	Jack	092922
3	新增PIN編號及定義	Jack	012622
2	新增尺寸	Jack	081621
1	更新尺寸	Jack	111720
ITEM NO.	DESCRIPTION	DRAWN	DATE

XIB 东莞市溪榜电子有限公司
Switch Connector DONG GUAN XI BANG ELECTRONICS CO., LTD

TOLERANCE UNLESS OTHERWISE STATED :
Up to 5 ±0.2
Above 5 ~ 15 ±0.3
Above 15 ~ 30 ±0.4
Above 30 ~ 50 ±0.5
Angle ±0.3°

3RD. ANGEL'S

UNITS MM

DRAWN BY:	DATE	MAT'L	TITLE	CONNECTOR
Jack Lu	09/29/22		MODLE	USB AF 短體 10.0 無捲邊 4腳 H6.2 端子腳長2.6
CHECKED BY:	DATE	FINISH	DWG NO.	SUA-110H20Bx-x-S236
Jacky Chen	09/29/22		PART NO.	SUA-110H20Bx-x-S236
APPROVED BY:	DATE	SCALE	1 : 1	
Tony Kao	09/29/22	SHEET NO.	1 of 1	
		SIZE	A4	
		VER	R4	