

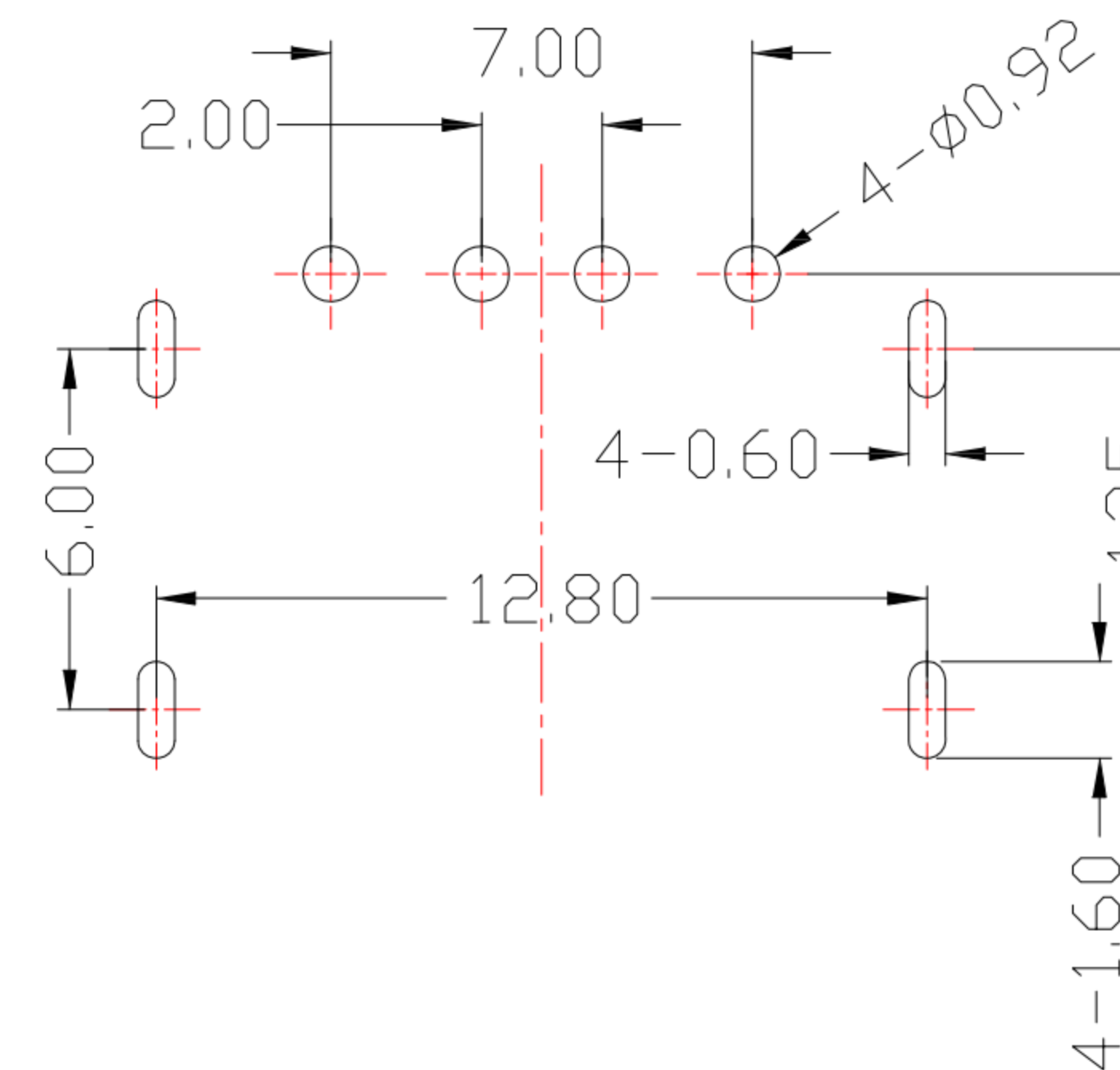
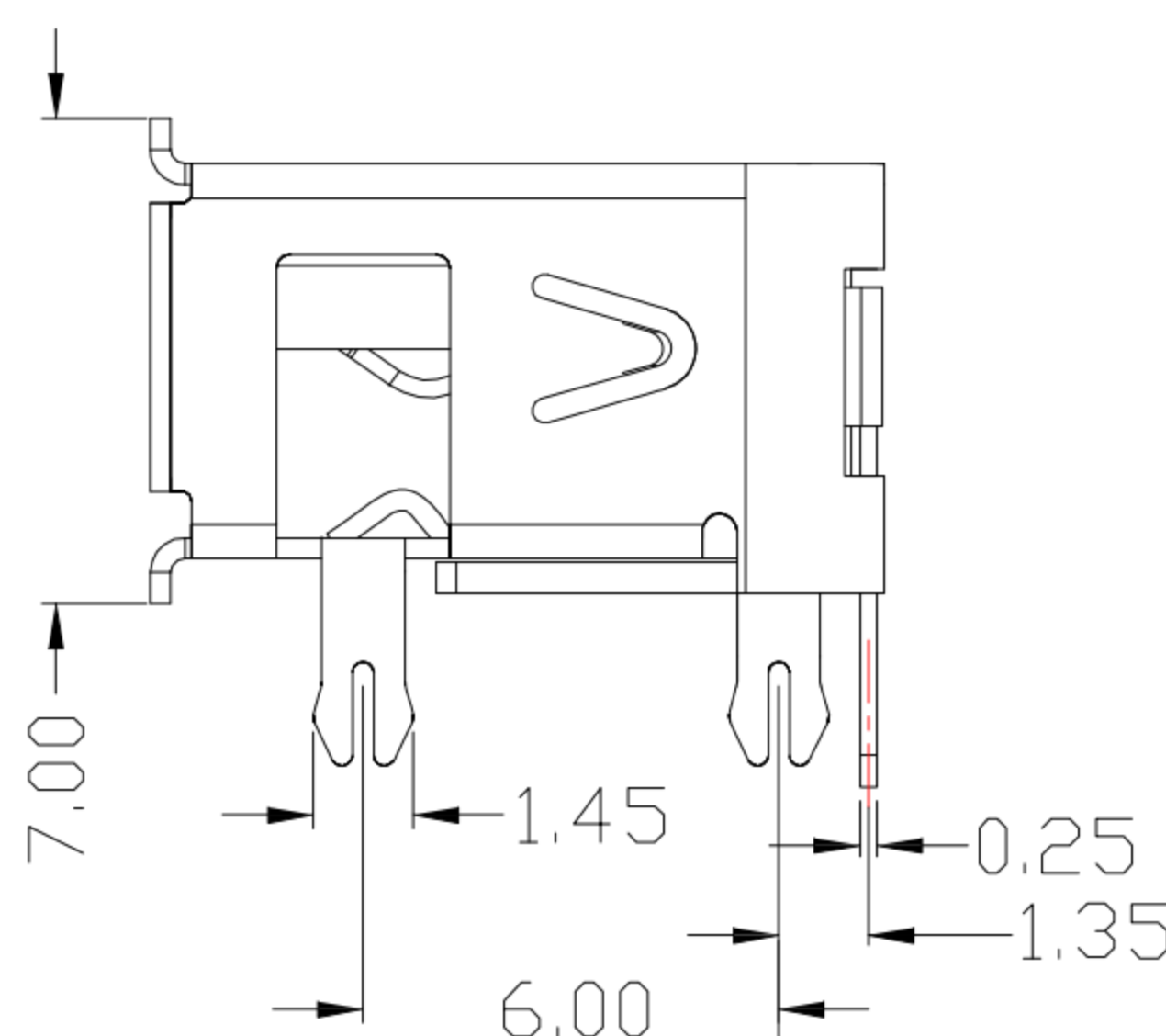
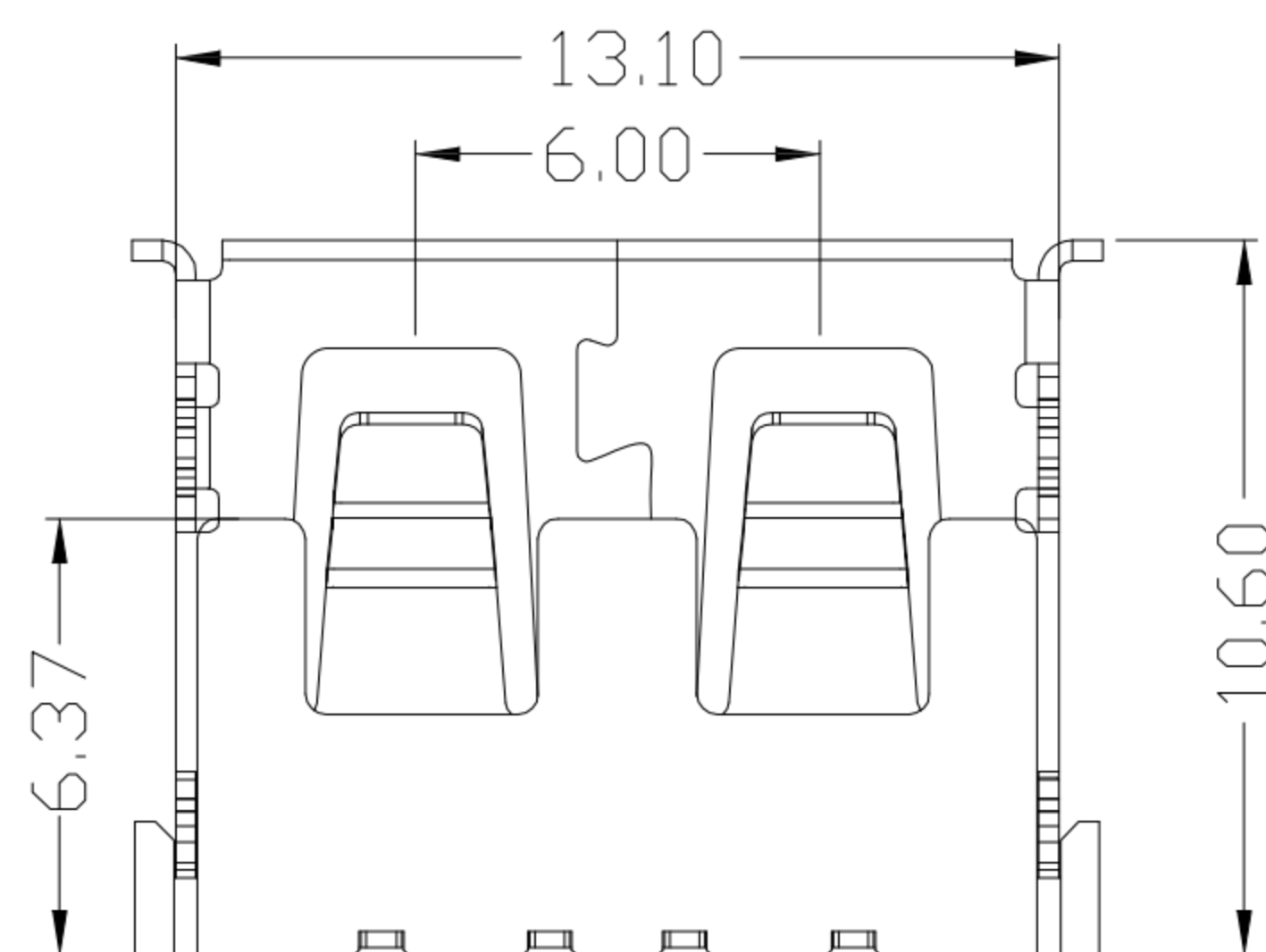
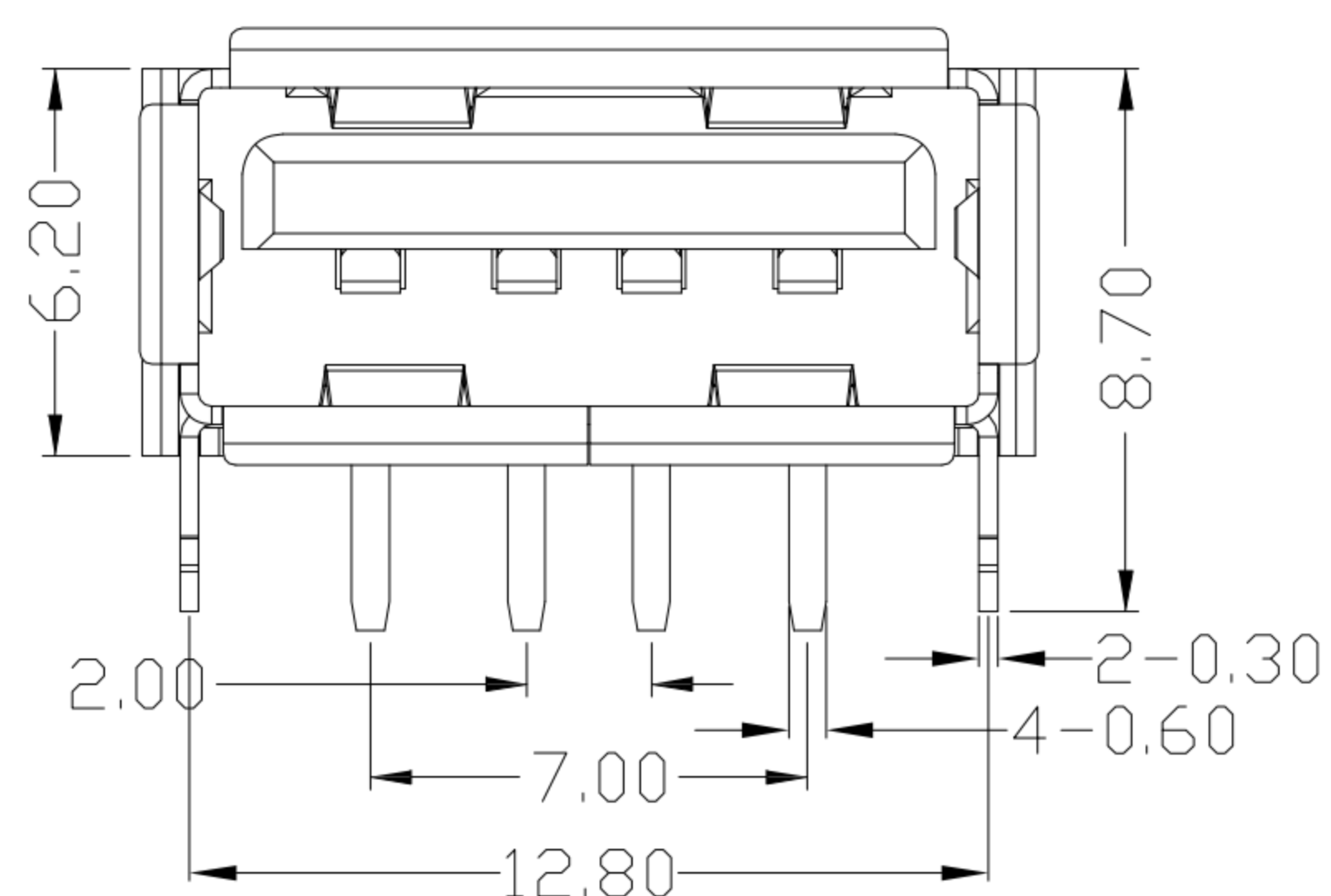
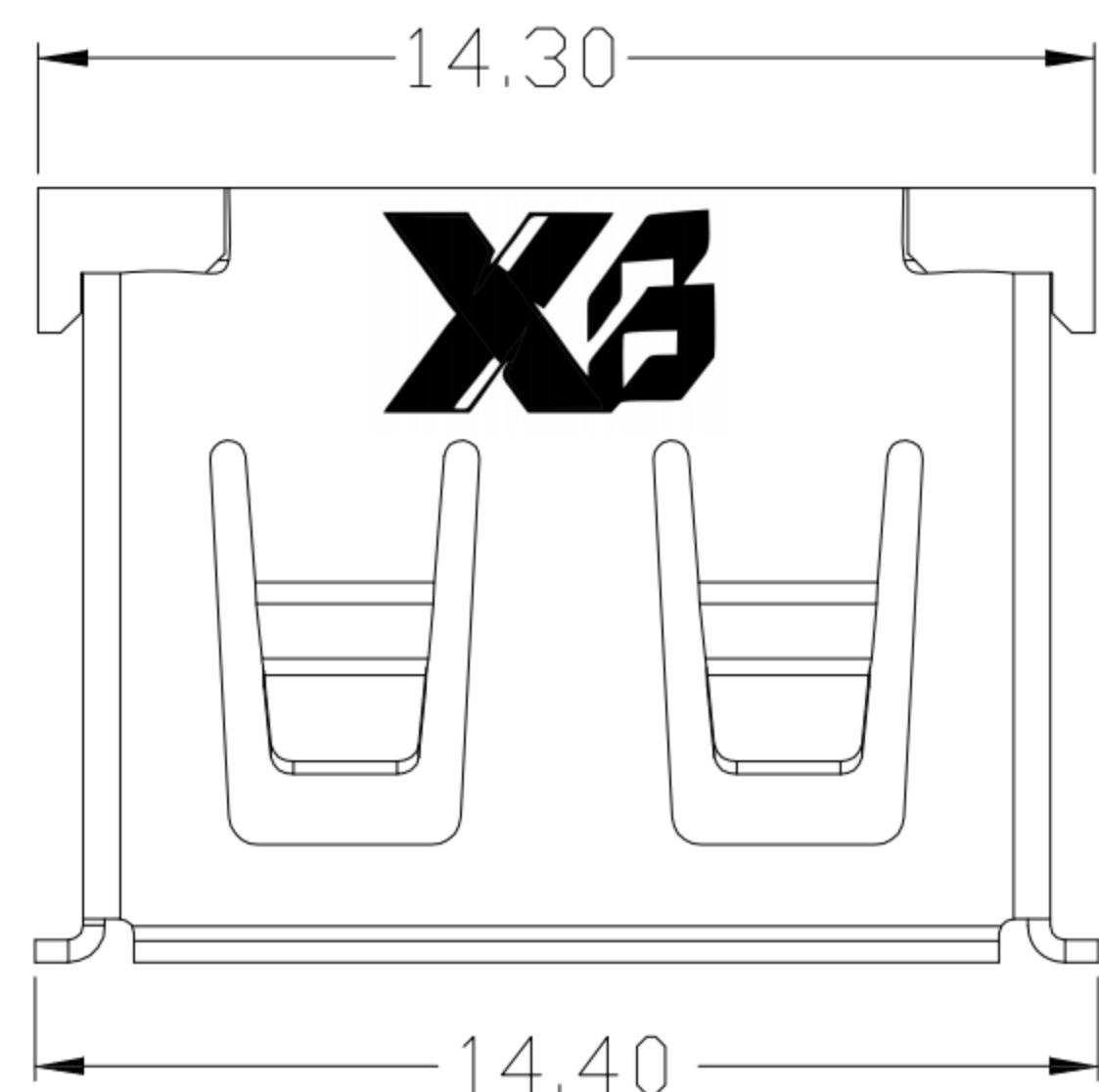


SUA-110H15-x-S235

COLOR :

Black: B

White : W



P.C.B LAYOUT MOUNTING PATTERN

SPECIFICATIONS

Electrical:

- Contact Resistance: 30 mΩ Max
- Dielectric Withstanding Voltage: 500 V AC FOR 1 MIN
- Insulation Resistance: 1,000 MΩ Min
- Operating Temperature: -55°C ~ 85°C

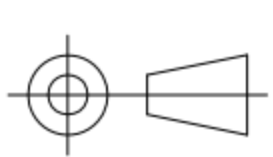
Mechanical:

- Connector Mate and Unmate Force
 Mate force: 3.57 kgf (Max)
 Unmate force: 1.02 kgf (Min)



TOLERANCE UNLESS OTHERWISE STATED :
 Up to 5 ±0.2
 Above 5 ~ 15 ±0.3
 Above 15 ~ 30 ±0.4
 Above 30 ~ 50 ±0.5
 Angle ±0.3°

3RD. ANGEL'S



UNITS MM

DRAWN BY:	DATE	MAT'L	TITLE	CONNECTOR
Jack Lu	08/18/15			
CHECKED BY:	DATE	FINISH	MODLE	USB AF DIP 10.6MM四腳有邊H=6.2
Jacky Chen	08/18/15			
APPROVED BY:	DATE	SCALE	DWG NO.	SUA-110H15-x-S235
Tony Kao	08/18/15	1 : 1		
SHEET NO.	1 of 1	PART NO.	SUA-110H15-x-S235	

2	更新為A0版	Jack	081815
1	新增外殼腳到PIN的尺寸	Jack	100413
ITEM NO.	DESCRIPTION	DRAWN	DATE