



SUA-110H14x-xx-S129

SHELL MATERIAL :

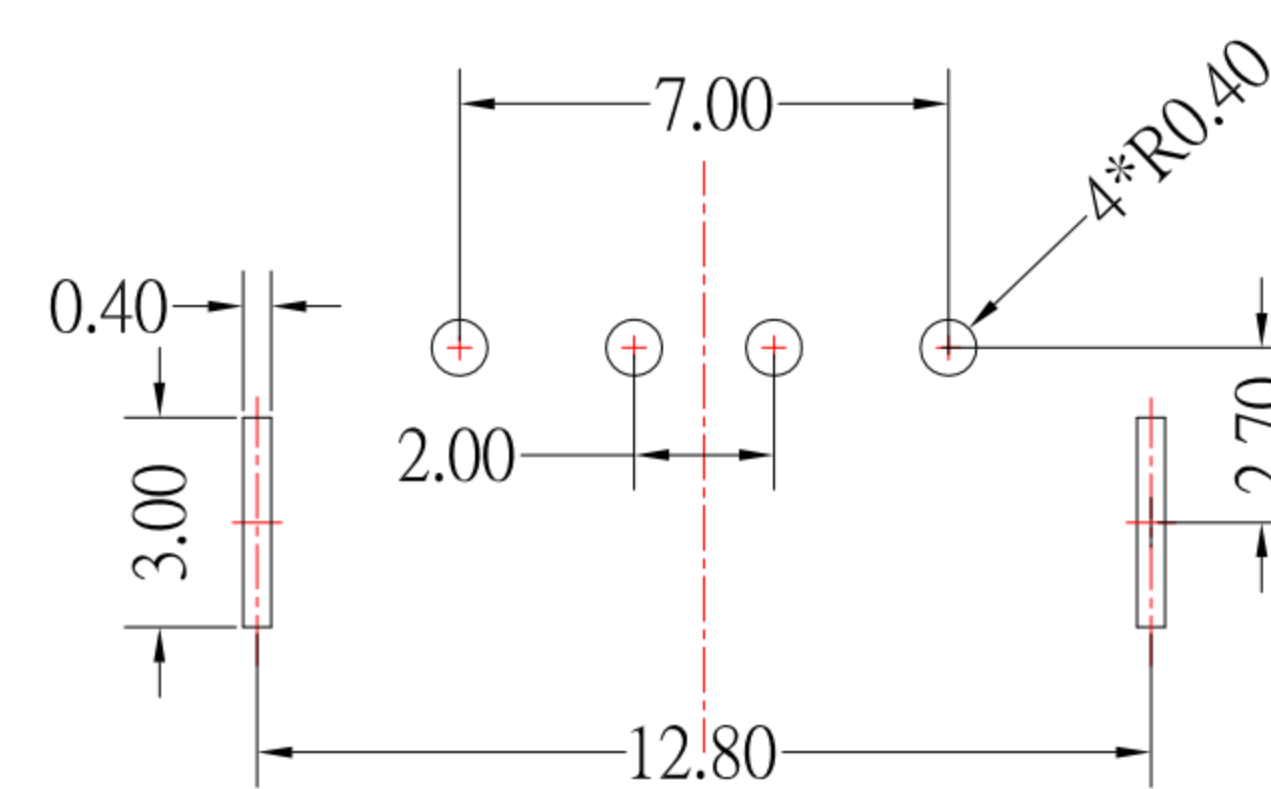
Blank : BRASS
I : SPCC

Color :

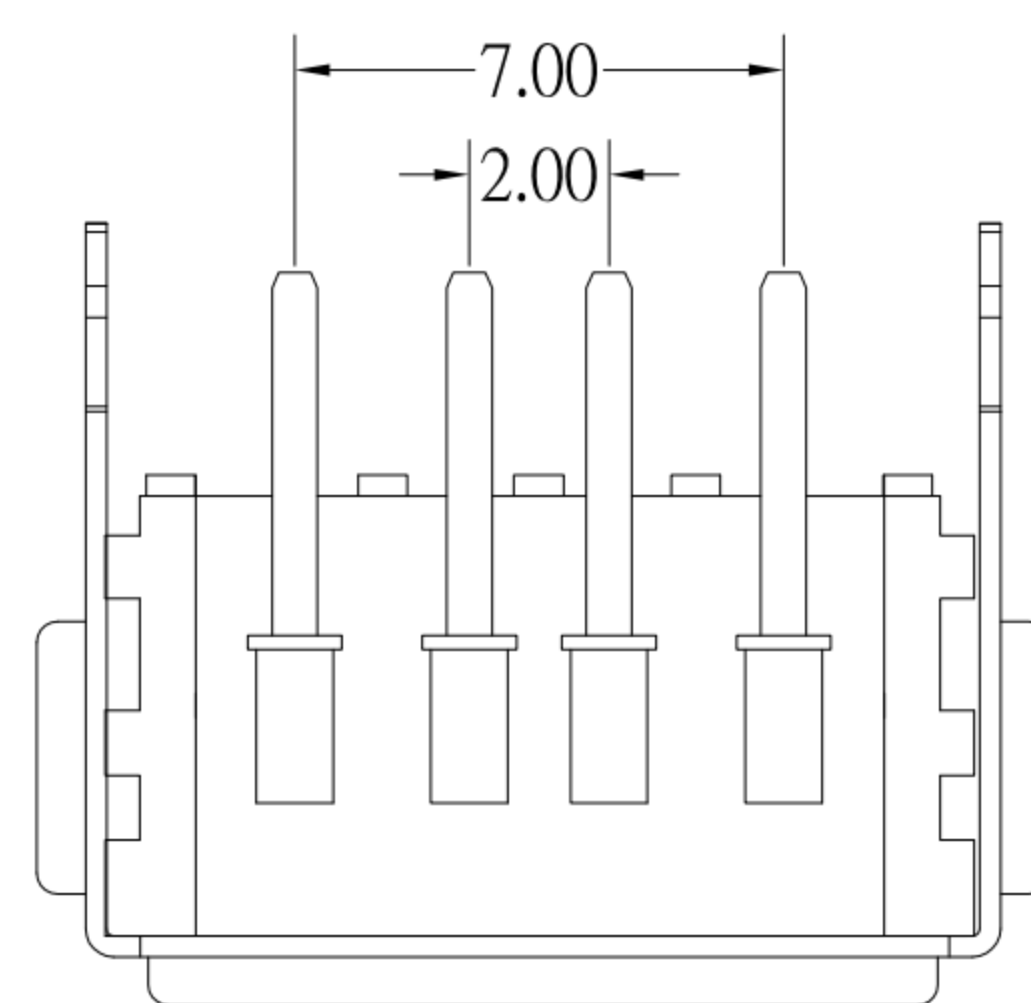
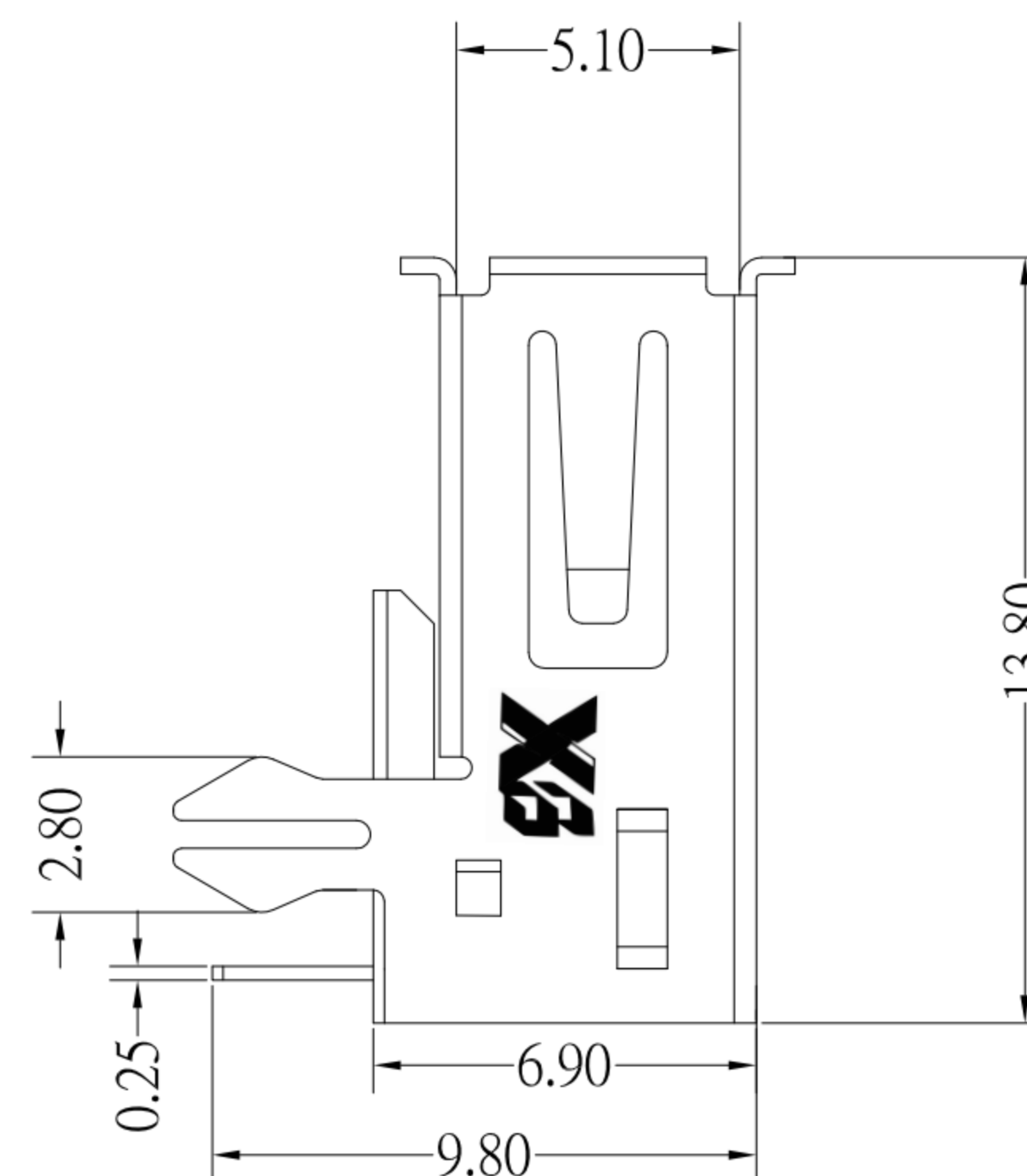
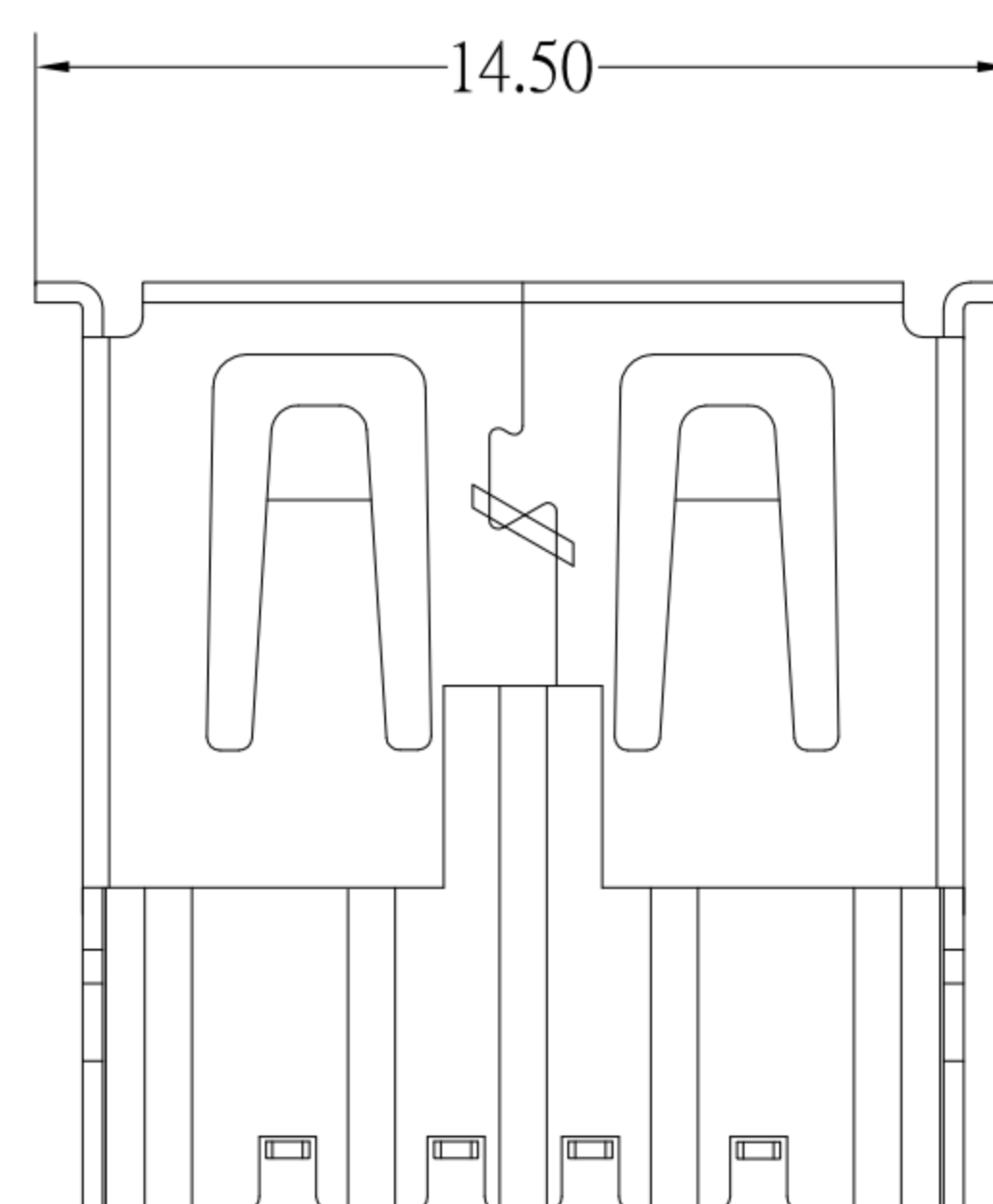
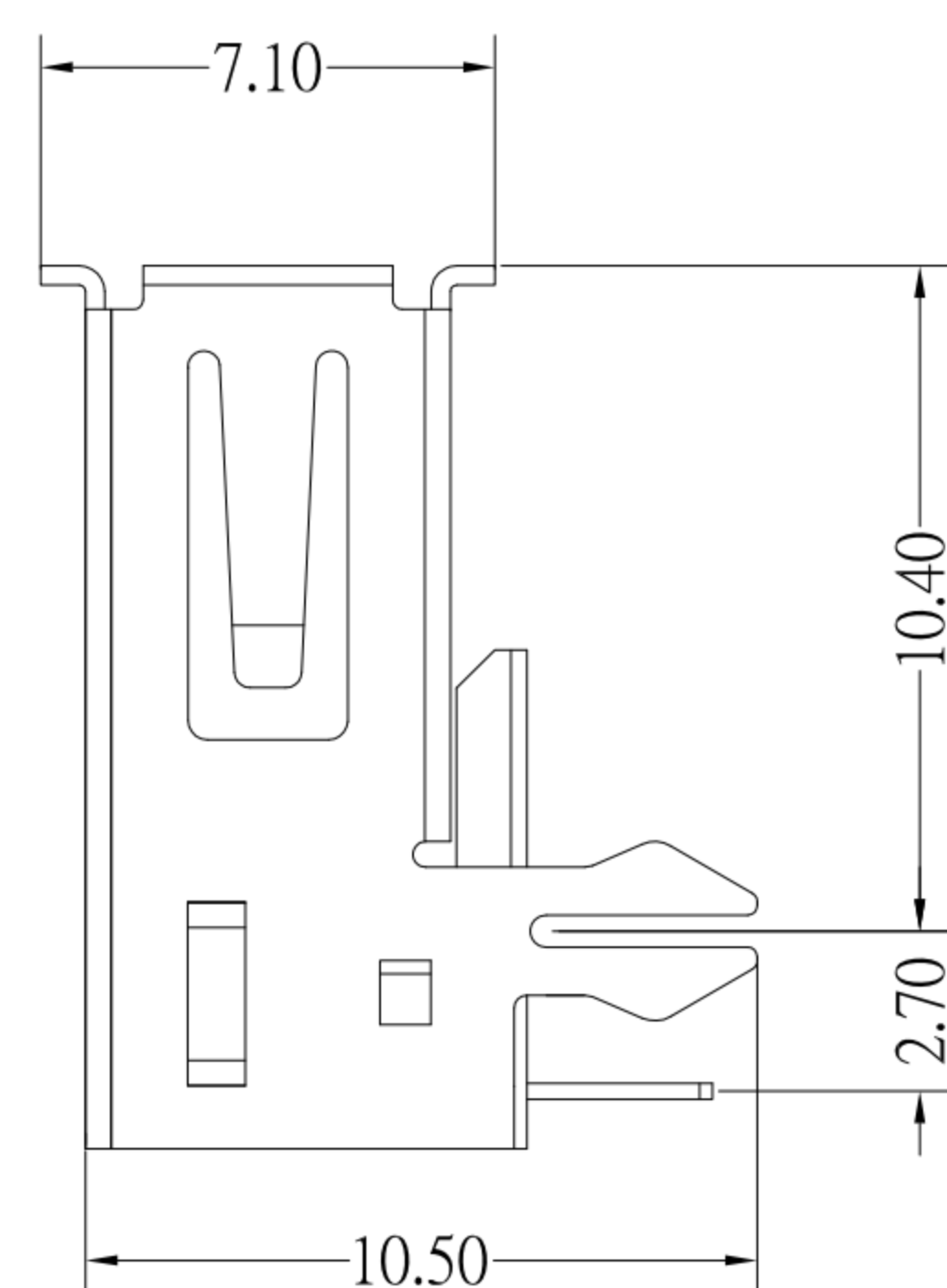
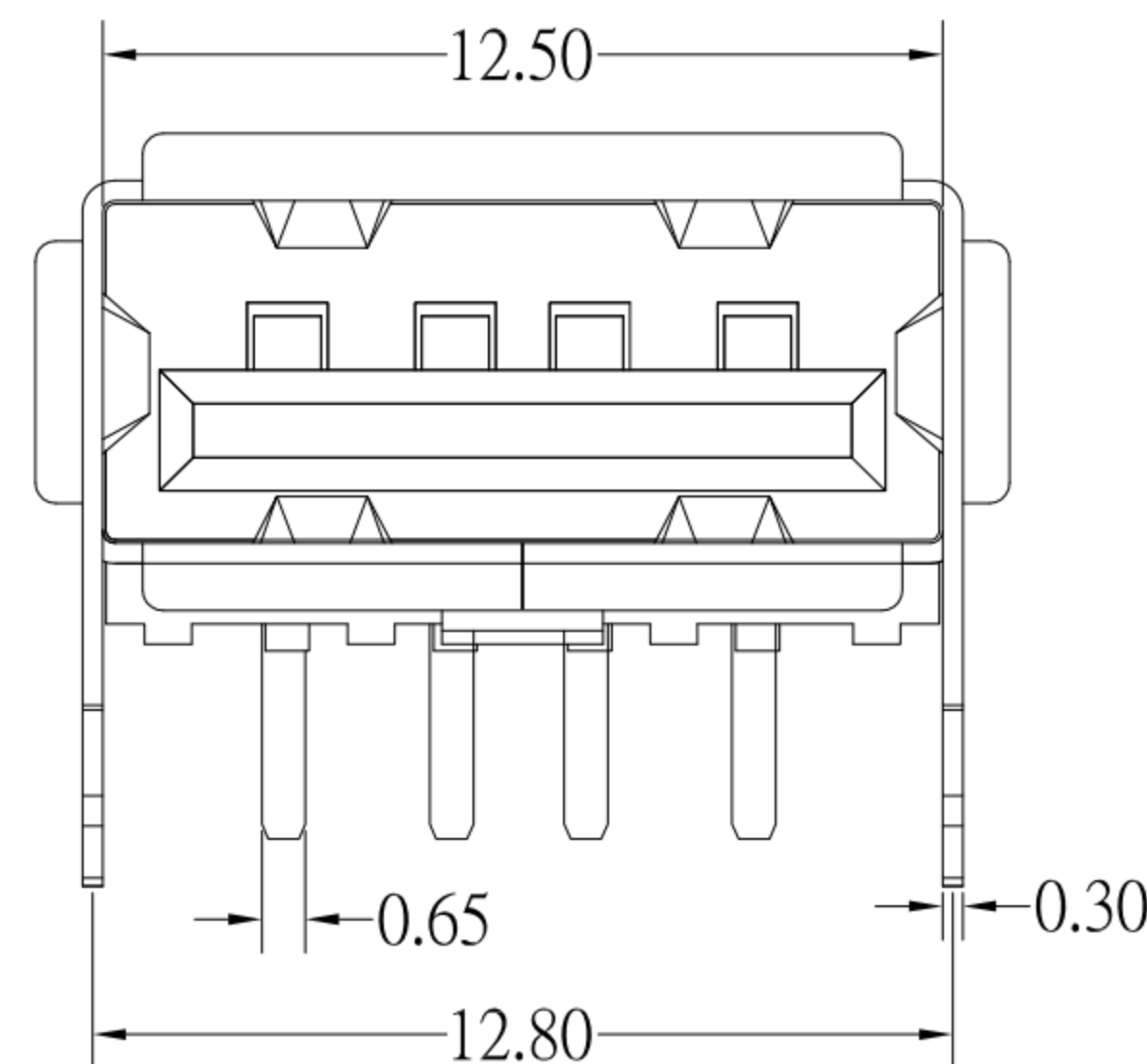
Black : B
White : W

鍍層厚度 :

Blank : 1u"
2 : 15u"
3 : 30u"



LAYOUT P.C.B



SPECIFICATIONS

Electrical:

- 1.Current Rating: 1.5 A
- 2.Contact Resistance: 30 mΩ Max
- 3.Insulation Resistance: 1,000 MΩ Min
- 4.Dielectric Withstanding Voltage: 500 V AC
- 5.Mating Force: 3.57 Kg Max
- 6.Umating Force: 1.02 Kg Min

Material:

- 1.Housing: PBT , UL 94V-0
- 2.Contact: Phosphor Bronze
- 3.Shell: Brass / Spcc

Finish:

- 1.Contact: Plated Gold in Mating Area ;
Tin Plated on Solder Balls ;
Nickel under plated overall
- 2.Shell: Nickel under Plated surface layer

5	更新Contact材質	Jack	092215
4	更新Housing材質	Jack	090415
3	新增材質Housing選項	Jack	082015
2	更新料號新增外殼選項	Jack	080514
1	新增尺寸及更新PIN腳到魚叉腳的尺寸	Jack	102813
ITEM NO.	DESCRIPTION	DRAWN	DATE

XB 东莞市溪榜电子有限公司
Switch Connector DONG GUAN XI BANG ELECTRONICS CO., LTD

TOLERANCE UNLESS OTHERWISE STATED :	Up to 5 ±0.2	3RD. ANGEL'S	UNITS	MM
	Above 5 ~ 15 ±0.3			
	Above 15 ~ 30 ±0.4			
	Above 30 ~ 50 ±0.5			
	Angle ±0.3°			

DRAWN BY:	DATE	MAT'L	TITLE	CONNECTOR
Jack Lu	09/22/15			
CHECKED BY:	DATE	FINISH	MODLE	USB A/F 鱼叉脚, 胶芯反向PBT料
Jacky Chen	09/22/15			
APPROVED BY:	DATE	SCALE	DWG NO.	SUA-110H14x-xx-S129
Tony Kao	09/22/15			
SHEET NO.	1 of 1	PART NO.	SUA-110H14x-xx-S129	SIZE A4
				VER A4