



SUA-110H10x-x-S175

SHELL MATERIAL :

Blank : BRASS

I : SPCC

Color

White : W

Black : B

SPECIFICATIONS

Electrical:

- 1.Current Rating: 1.5A / contact terminal
- 2.Voltage Rating: 30V DC
- 3.Contact Resistance: 30 mΩ Max
- 4.Dielectric Withstanding Voltage: 500 V AC AT Sec Level
- 5.Insulation Resistance: 1,000 MΩ Min

Mechanical:

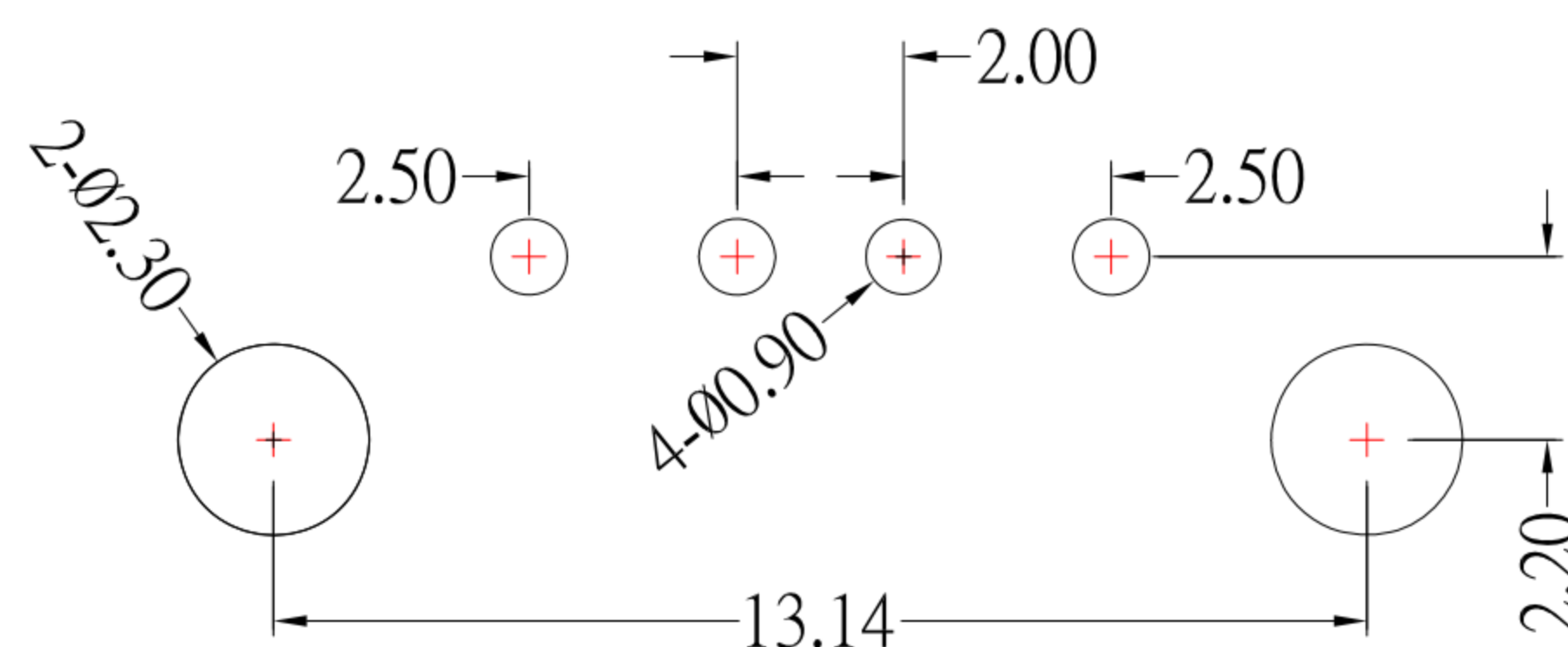
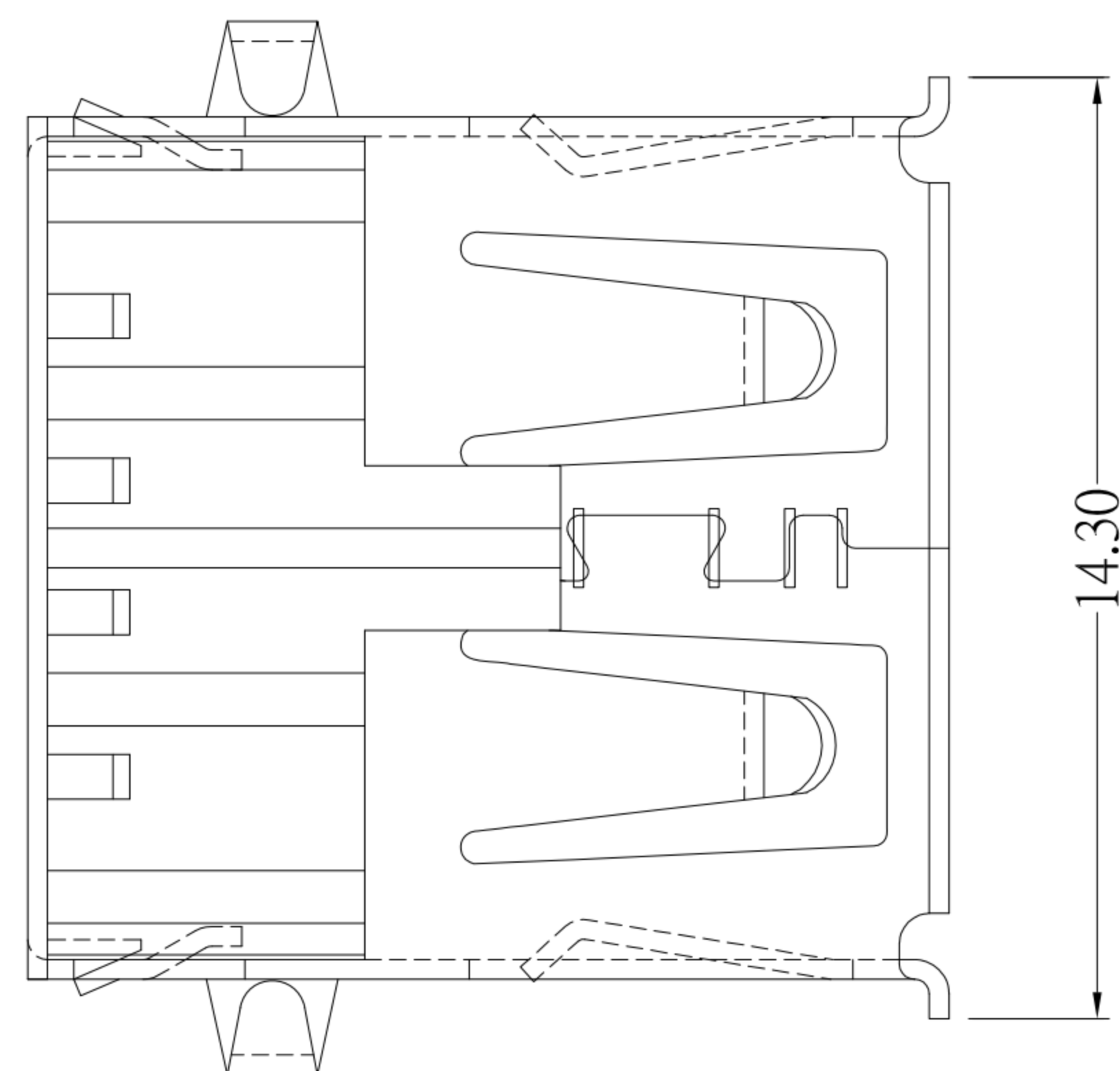
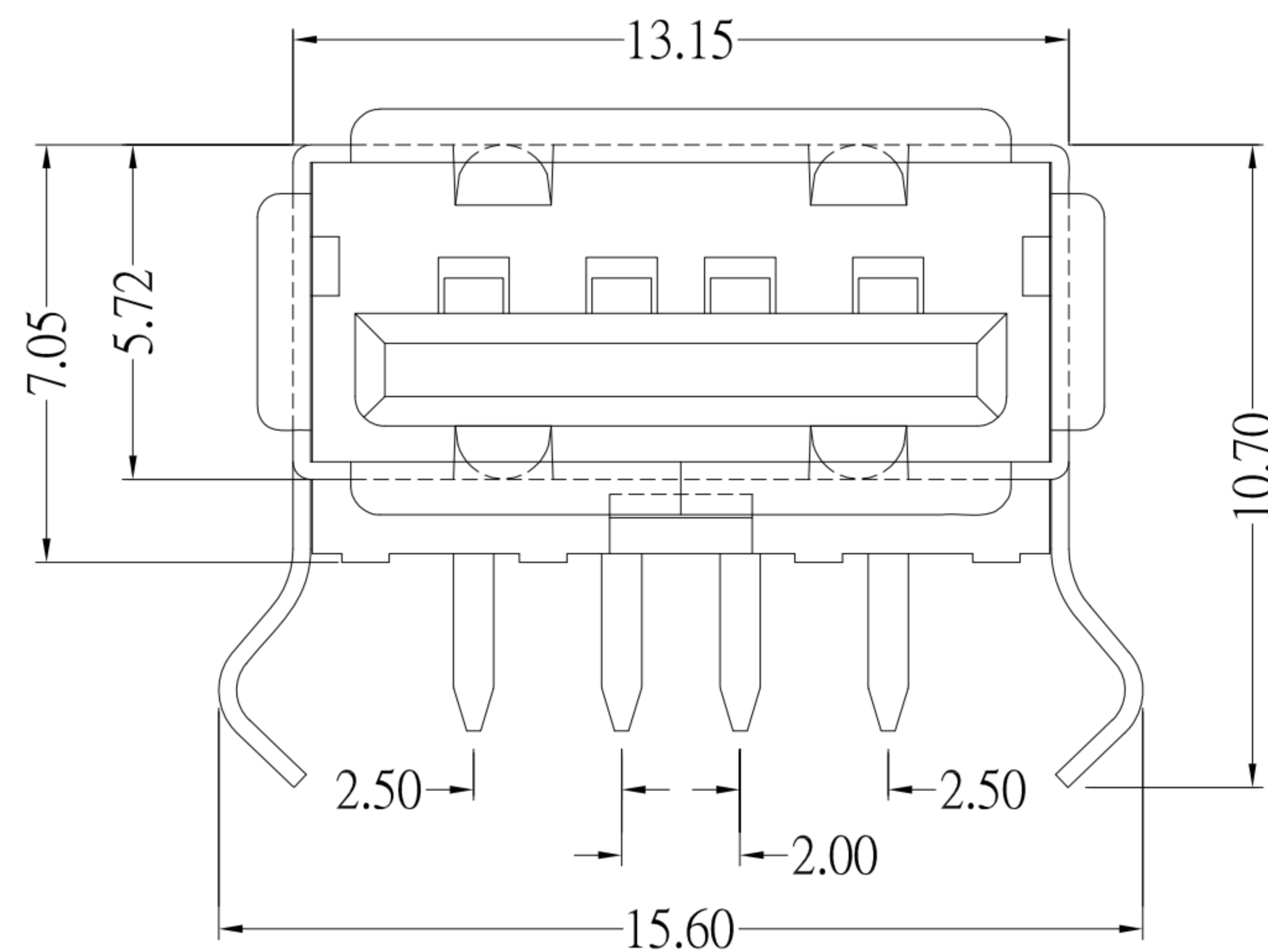
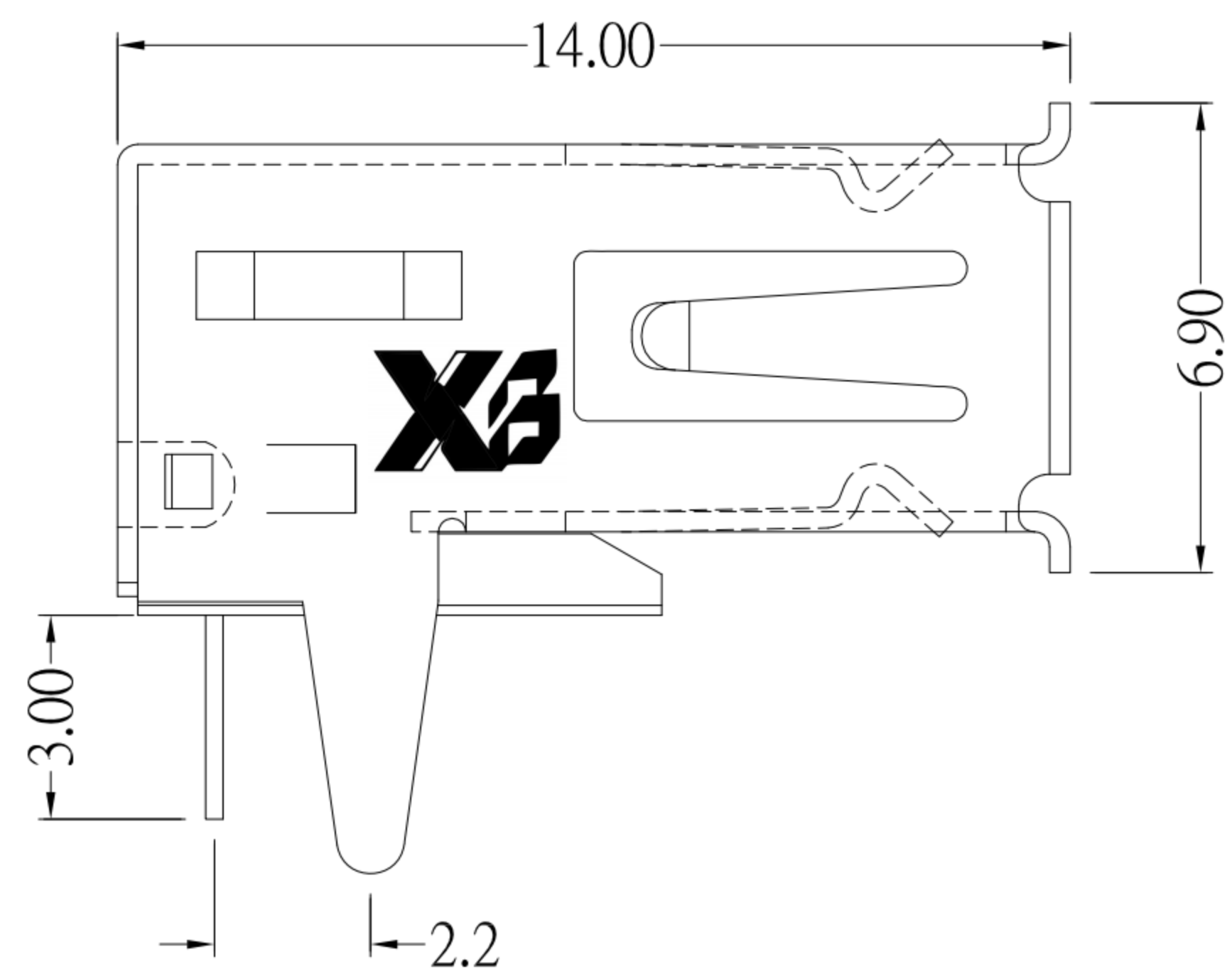
- 1.Connector Mate and Unmate Force
Mate force: 3.57 kgf (Max)
Unmate force: 1.02 kgf (Min)
- 2.Terminal Retention: 1.2 kgf (Min)

Material:

- 1.Housing: PBT
- 2.Contact: Brass
- 3.Shell: Brass / SPCC

Finish:

- 1.Contact: Plated Gold in Mating Area ;
Tin Plated on Solder Balls
Nickel under plated overall
- 2.Shell: Nickel under Plated surface layer



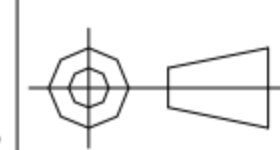
P.C.B LAYOUT MOUNTING PATTERN

XB 东莞市溪榜电子有限公司
Switch Connector DONG GUAN XI BANG ELECTRONICS CO., LTD

TOLERANCE UNLESS OTHERWISE STATED :

Up to 5 ±0.2
Above 5 ~ 15 ±0.3
Above 15 ~ 30 ±0.4
Above 30 ~ 50 ±0.5
Angle ±0.3°

3RD. ANGEL'S



UNITS

MM

DRAWN BY: Jack Lu
DATE: 09/30/15
CHECKED BY: Jacky Chen
DATE: 09/30/15
APPROVED BY: Tony Kao
DATE: 09/30/15

MAT'L	TITLE	CONNECTOR
FINISH	MODLE	USB AF DIP 膠芯反向
SCALE	DWG NO.	SUA-110H10x-x-S175
SHEET NO.	PART NO.	SUA-110H10x-x-S175

ITEM NO.	DESCRIPTION	DRAWN	DATE
1	新增外殼選項	Jack	093015

SIZE
A4
VER
R1