



SUA-110H1-xx-S175

Color :

- Black : B
- White : W

鍍層厚度 :

- Blank : 1u"
- 2 : 15u"
- 3 : 30u"

SPECIFICATIONS

Electrical:

- 1.Current Rating: 1.5A / contact terminal
- 2.Voltage Rating: 30V DC
- 3.Contact Resistance: 30 mΩ Max
- 4.Dielectric Withstanding Voltage: 500 V AC AT Sec Level
- 5.Insulation Resistance: 1,000 MΩ Min

Mechanical:

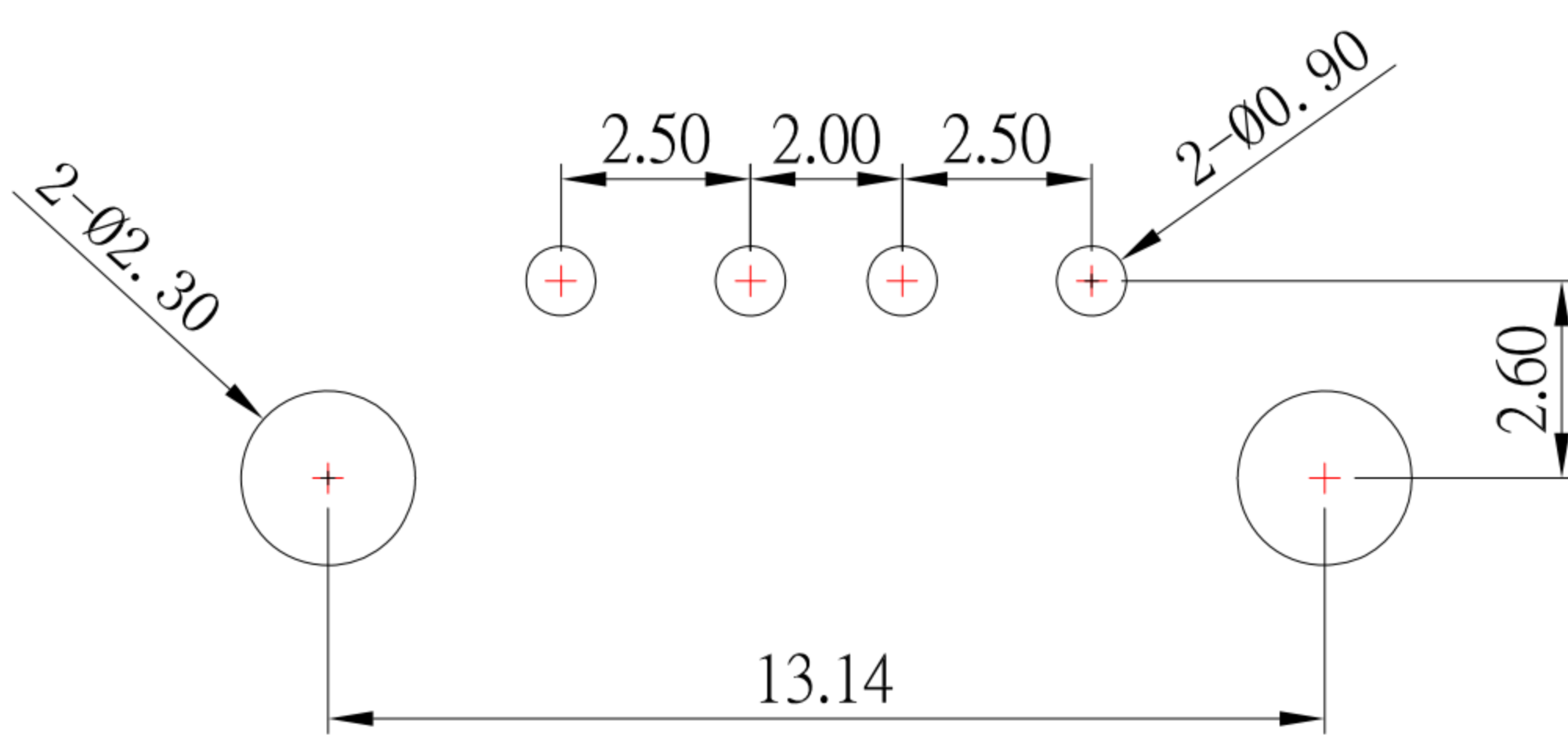
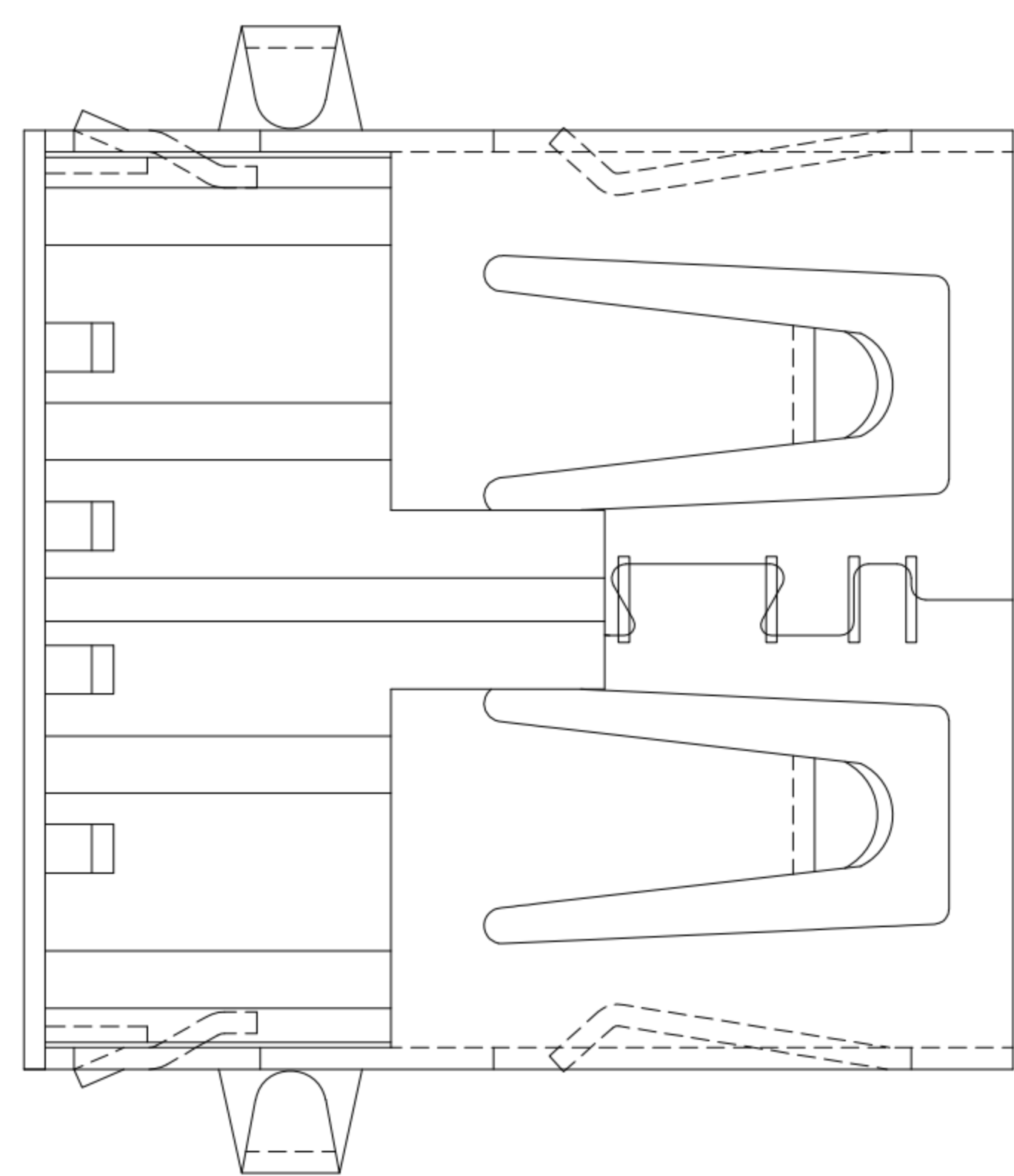
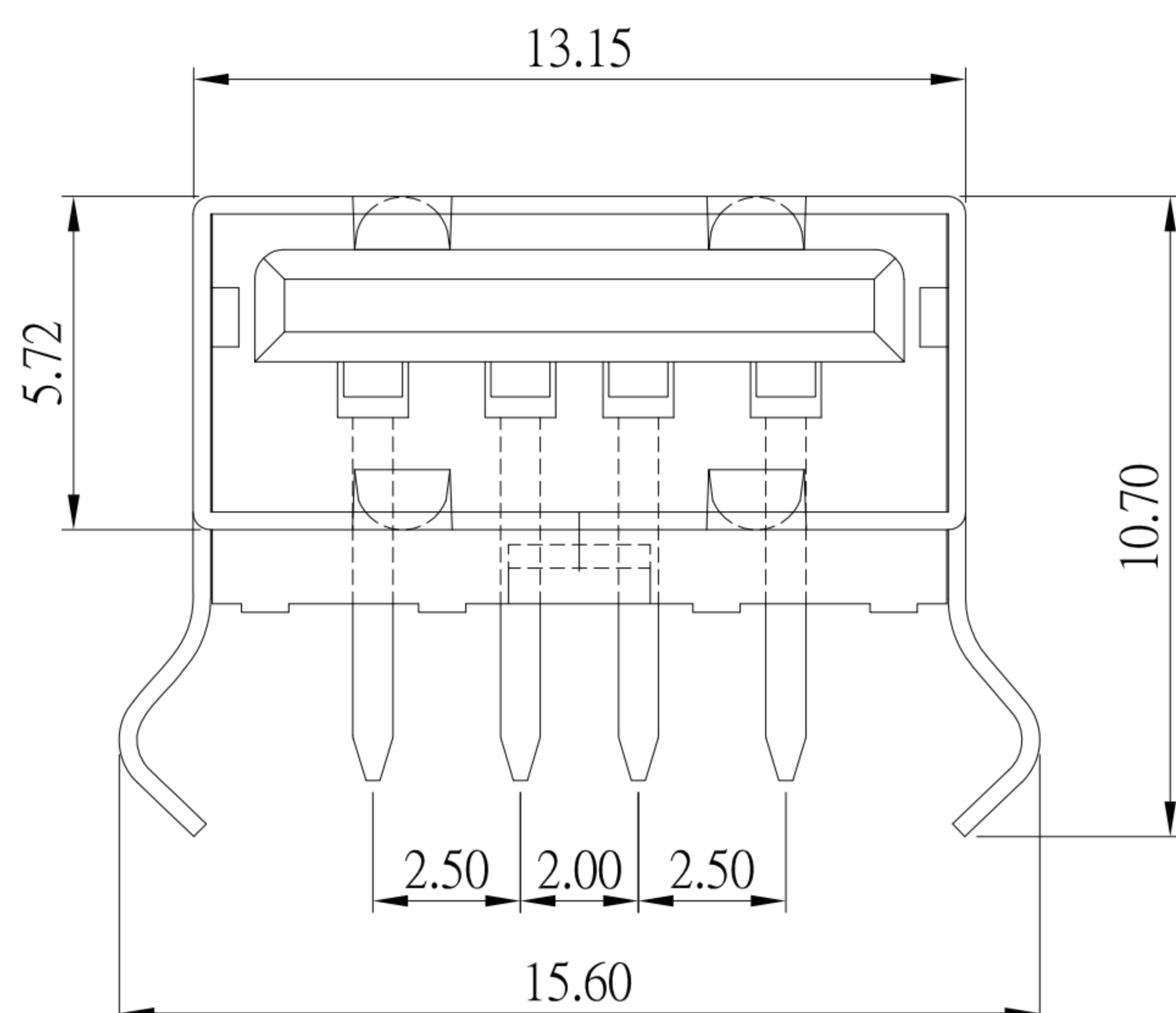
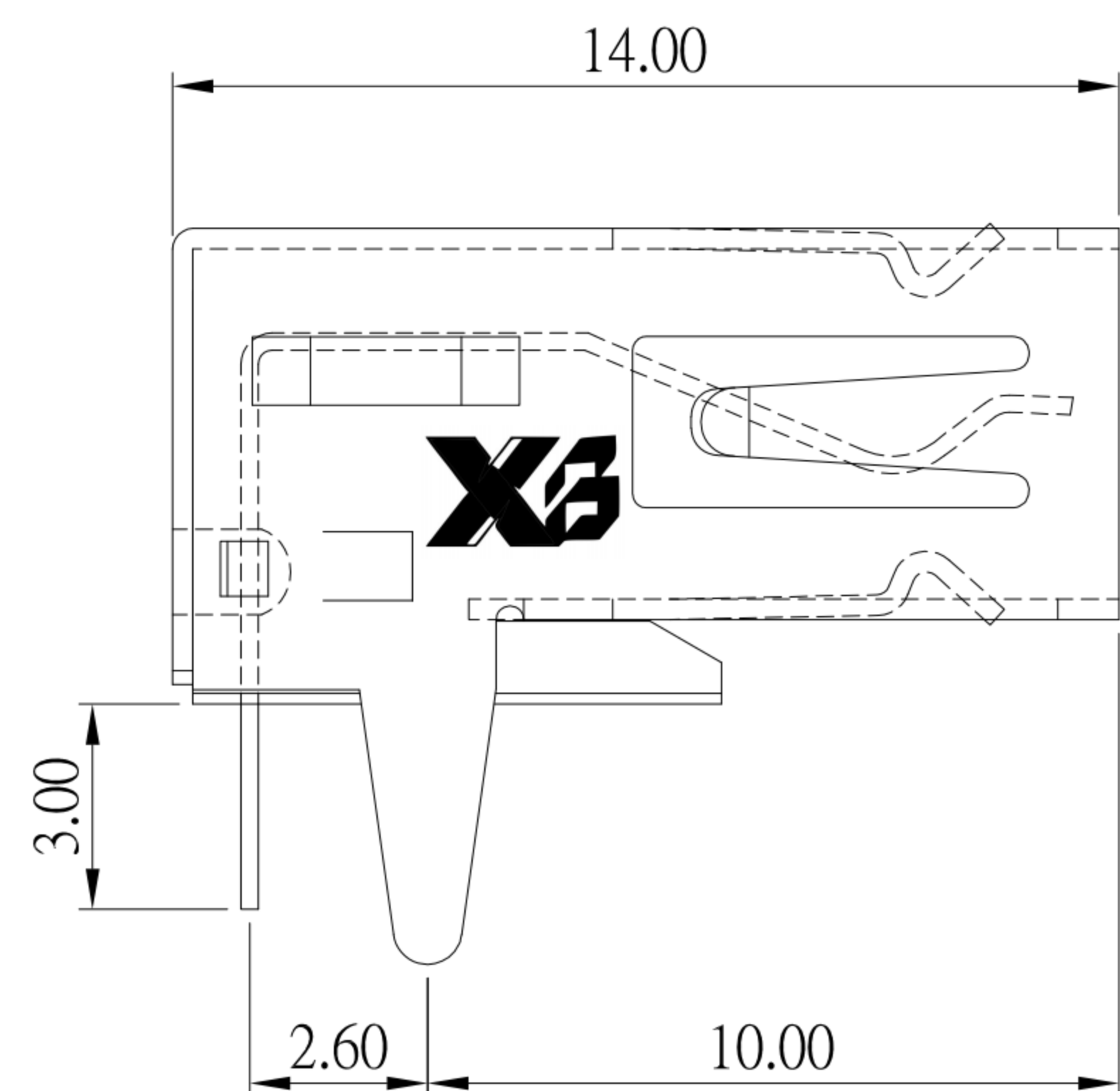
- 1.Connector Mate and Unmate Force
 Mate force: 3.57 kgf (Max)
 Unmate force: 1.02 kgf (Min)
- 2.Terminal Retention: 1.2 kgf (Min)

Material:

- 1.Housing: LCP / PBT
- 2.Contact: BRASS
- 3.Shell: BRASS / SPCC

Finish:

- 1.Contact: Plated Gold in Mating Area ;
 Tin Plated on Solder Balls ;
 Nickel under plated overall
- 2.Shell: Nickel under Plated surface layer



P.C.B LAYOUT MOUNTING PATTERN

XB 东莞市溪榜电子有限公司
 Switch Connector DONG GUAN XI BANG ELECTRONICS CO., LTD

TOLERANCE UNLESS OTHERWISE STATED :
 Up to 5 ±0.2
 Above 5 ~ 15 ±0.3
 Above 15 ~ 30 ±0.4
 Above 30 ~ 50 ±0.5
 Angle ±0.3°

3RD. ANGEL'S

UNITS MM

DRAWN BY:	DATE	MAT'L	TITLE	CONNECTOR
Jack Lu	09/10/15		MODLE	USB A/F 加蓋彎腳無捲邊
CHECKED BY:	DATE	FINISH	DWG NO.	SUA-110H1-xx-S175
Jacky Chen	09/10/15		PART NO.	SUA-110H1-xx-S175
APPROVED BY:	DATE	SCALE		
Tony Kao	09/10/15	1 : 1		
		SHEET NO.	1 of 1	

ITEM NO.	DESCRIPTION	DRAWN	DATE