



# SUA-110ECx-x-S236

Shell Material :  
Blank : BRASS  
I : SPCC

Color :  
White : W  
Black : B

## SPECIFICATIONS

### Electrical:

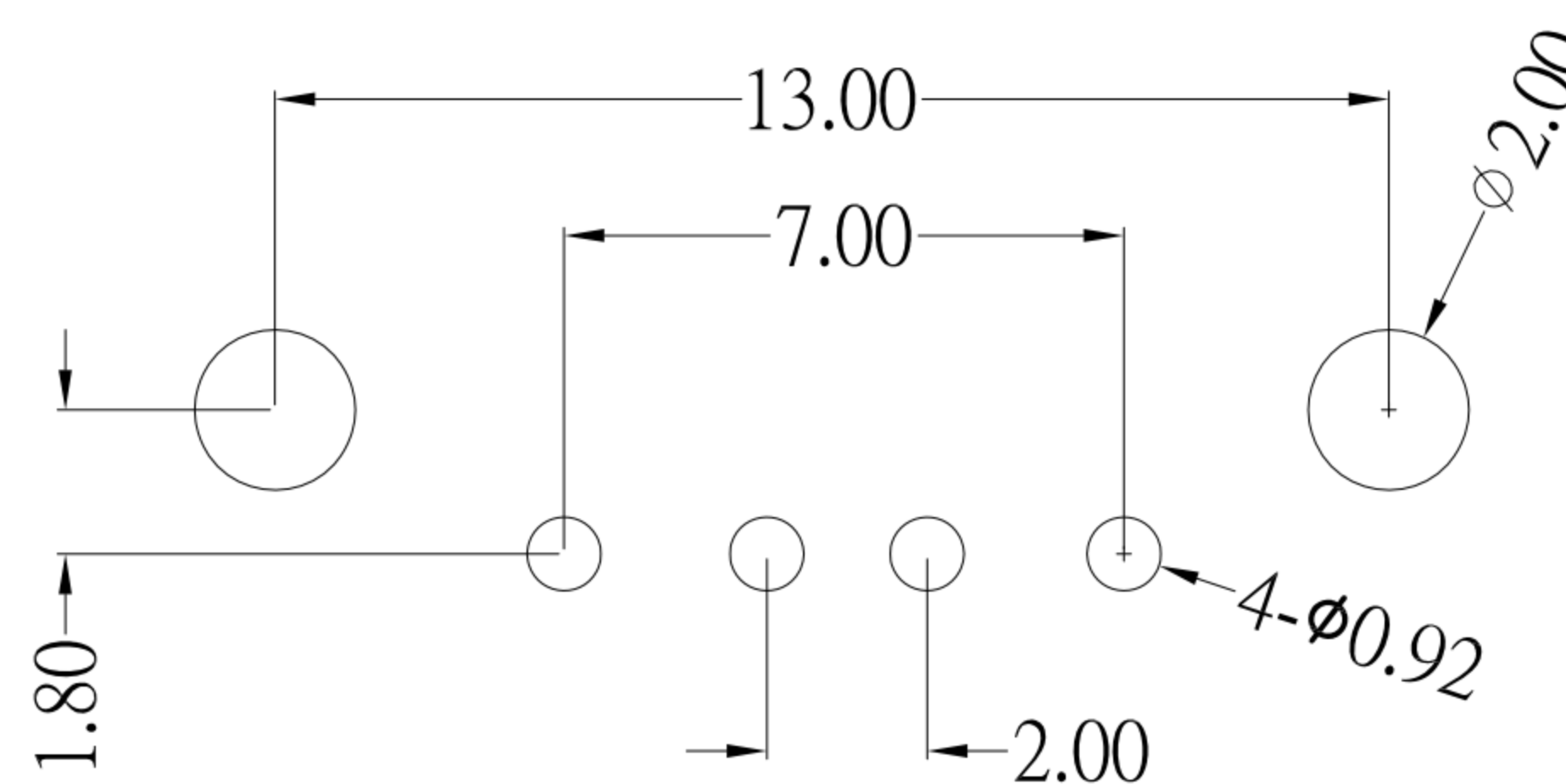
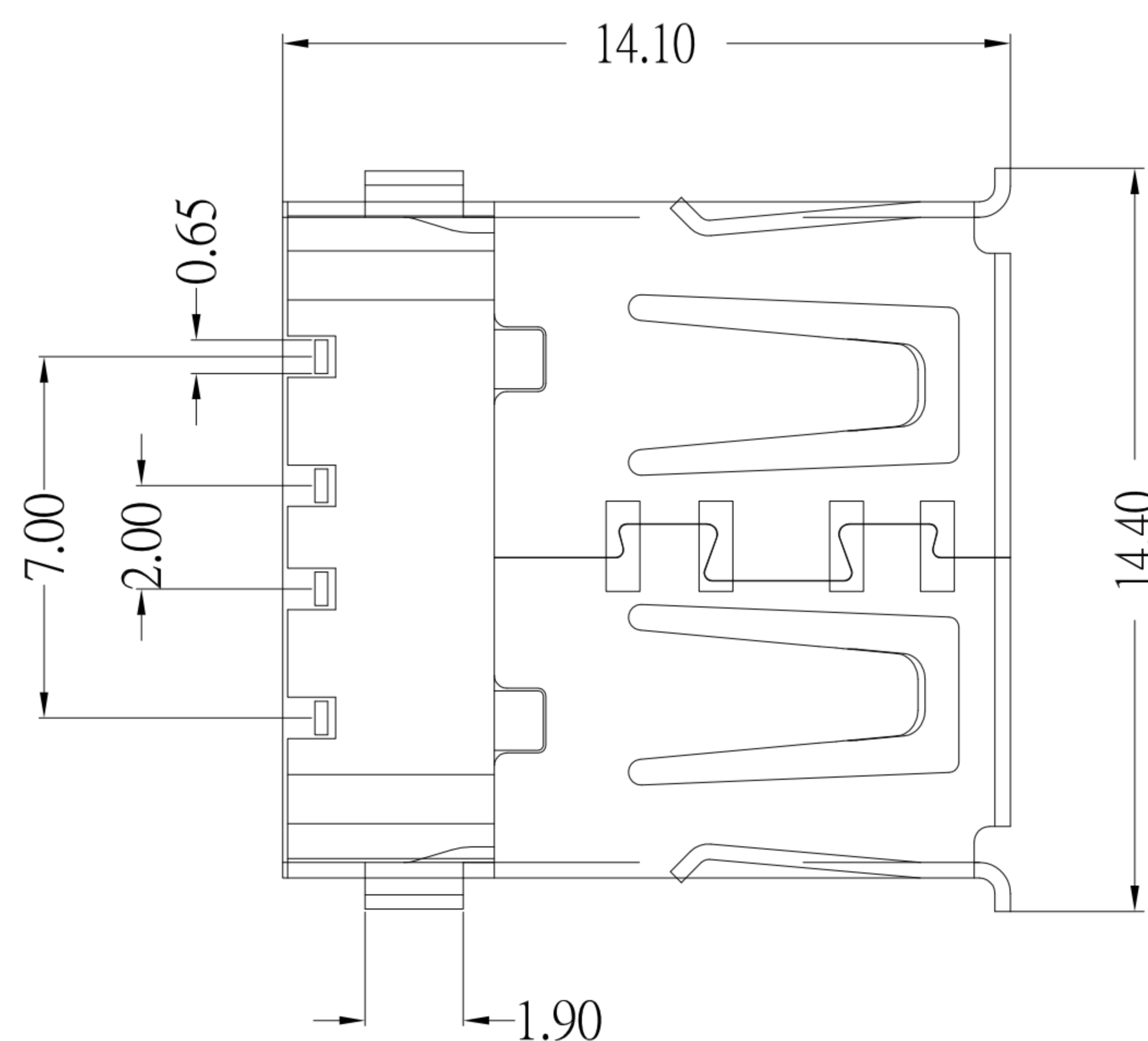
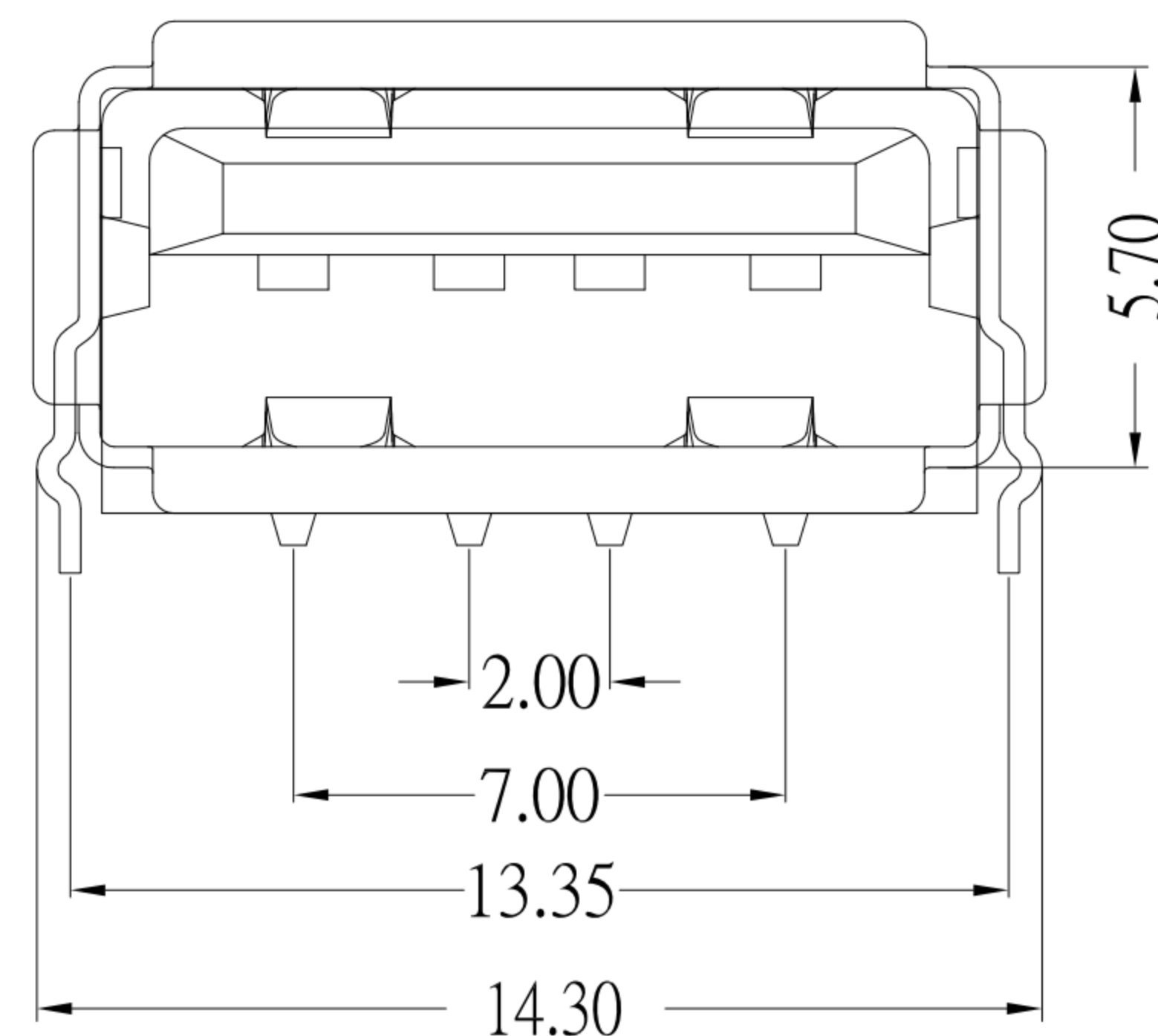
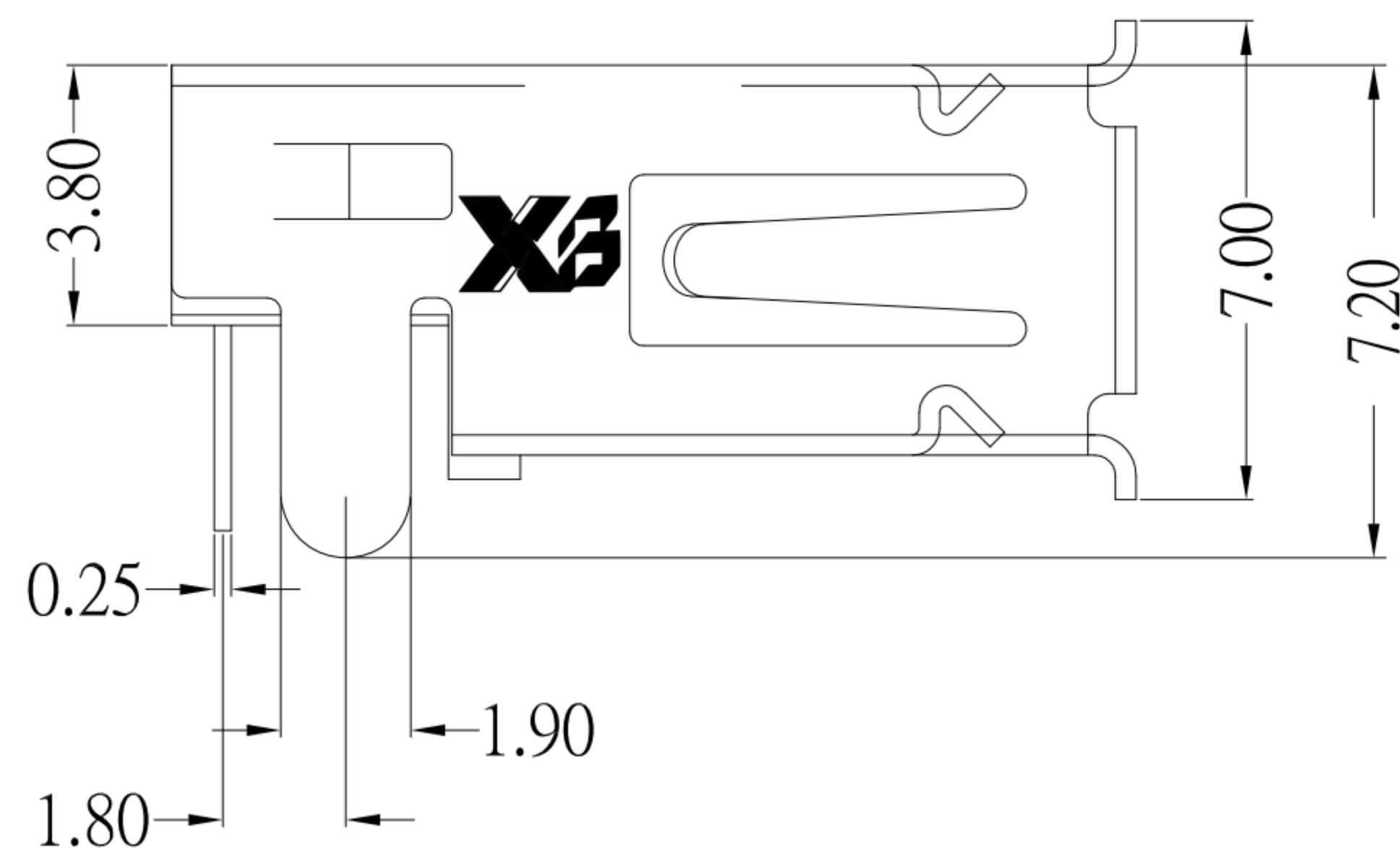
- 1.Voltage Current Rating: 1.5 AMP, 30VAC
- 2.Contact Resistance: 30 mΩ Max
- 3.Insulation Resistance: 1,000 MΩ Min
- 4.Dielectric Withstanding Voltage: 500 V AC
- 5.Operating Temperature: -35°C ~ 85°C

### Material:

- 1.Housing: PBT
- 2.Contact: Phosphor Bronze
- 3.Shell: Brass / Spcc

### Finish:

- 1.Contact: Plated Gold in Mating Area ;  
Tin Plated on Solder Balls ;  
Nickel under plated overall
- 2.Shell: Nickel under Plated surface layer



RECOMMENDED P.C.B LAYOUT



TOLERANCE UNLESS OTHERWISE STATED:  
Up to 5 ±0.2  
Above 5 ~ 15 ±0.3  
Above 15 ~ 30 ±0.4  
Above 30 ~ 50 ±0.5  
Angle ±0.3°

3RD. ANGEL'S

UNITS MM

DRAWN BY:	DATE	MAT'L	TITLE	CONNECTOR
Jack Lu	06/30/20		MODLE	USB A/F 沉板H: 3.8mm 有捲邊 腳距1.80
CHECKED BY:	DATE	FINISH	DWG NO.	SUA-110ECx-x-S236
Jacky Chen	06/30/20		PART NO.	SUA-110ECx-x-S236
APPROVED BY:	DATE	SCALE		
Tony Kao	06/30/20	1 : 1		
		SHEET NO.		
		1 of 1		

1	更新樣式	Jack	063020
ITEM NO.	DESCRIPTION	DRAWN	DATE