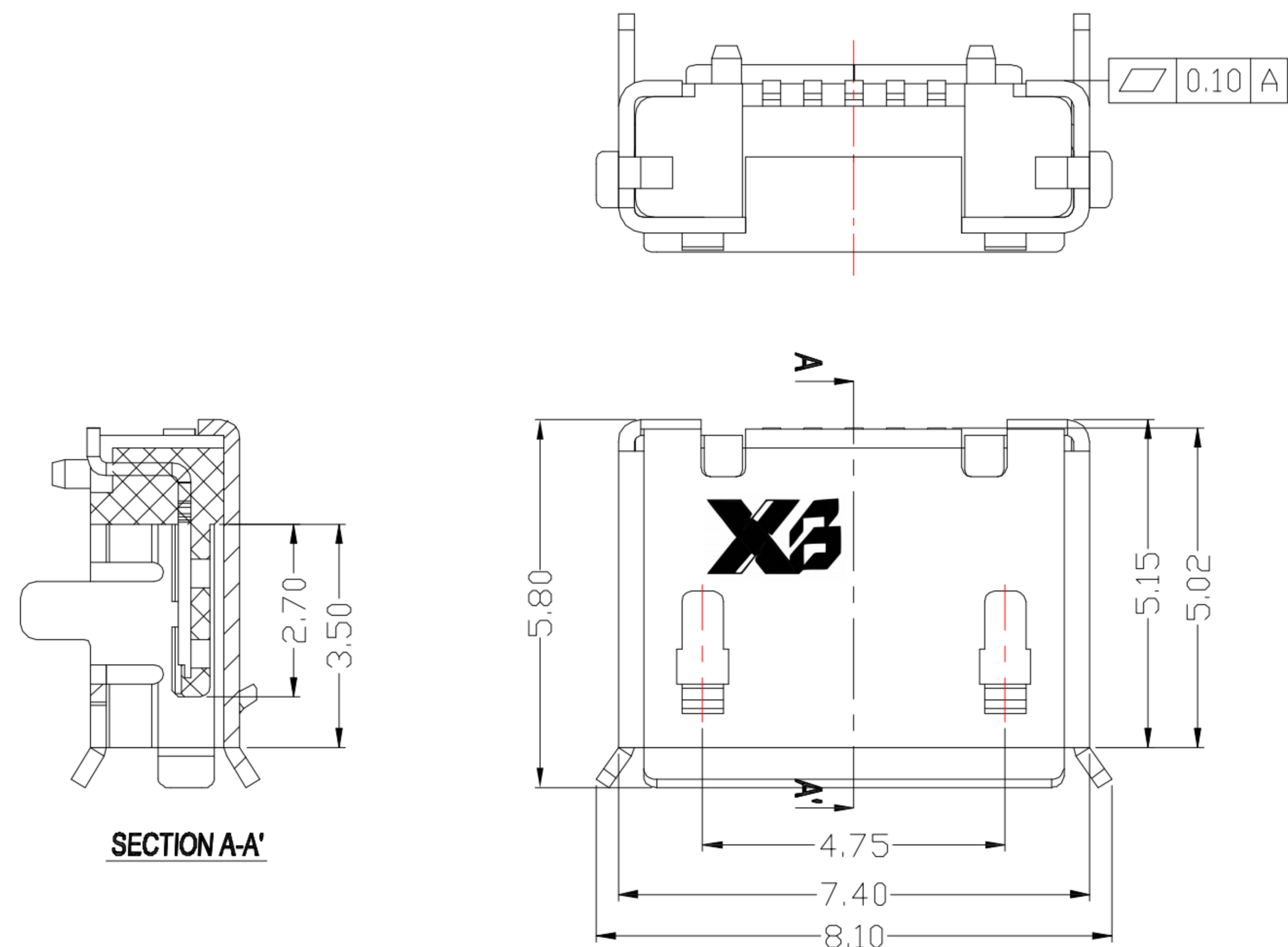




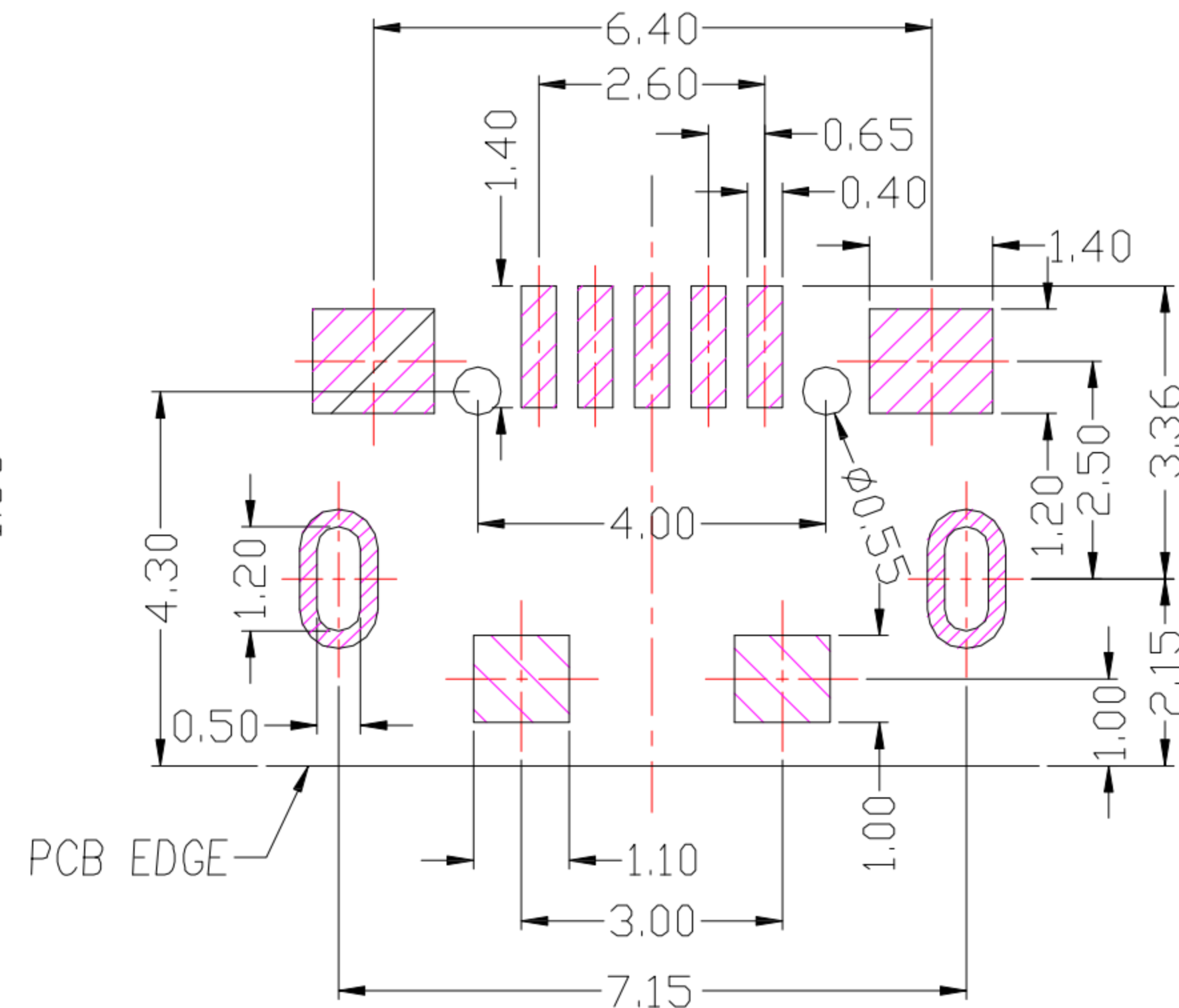
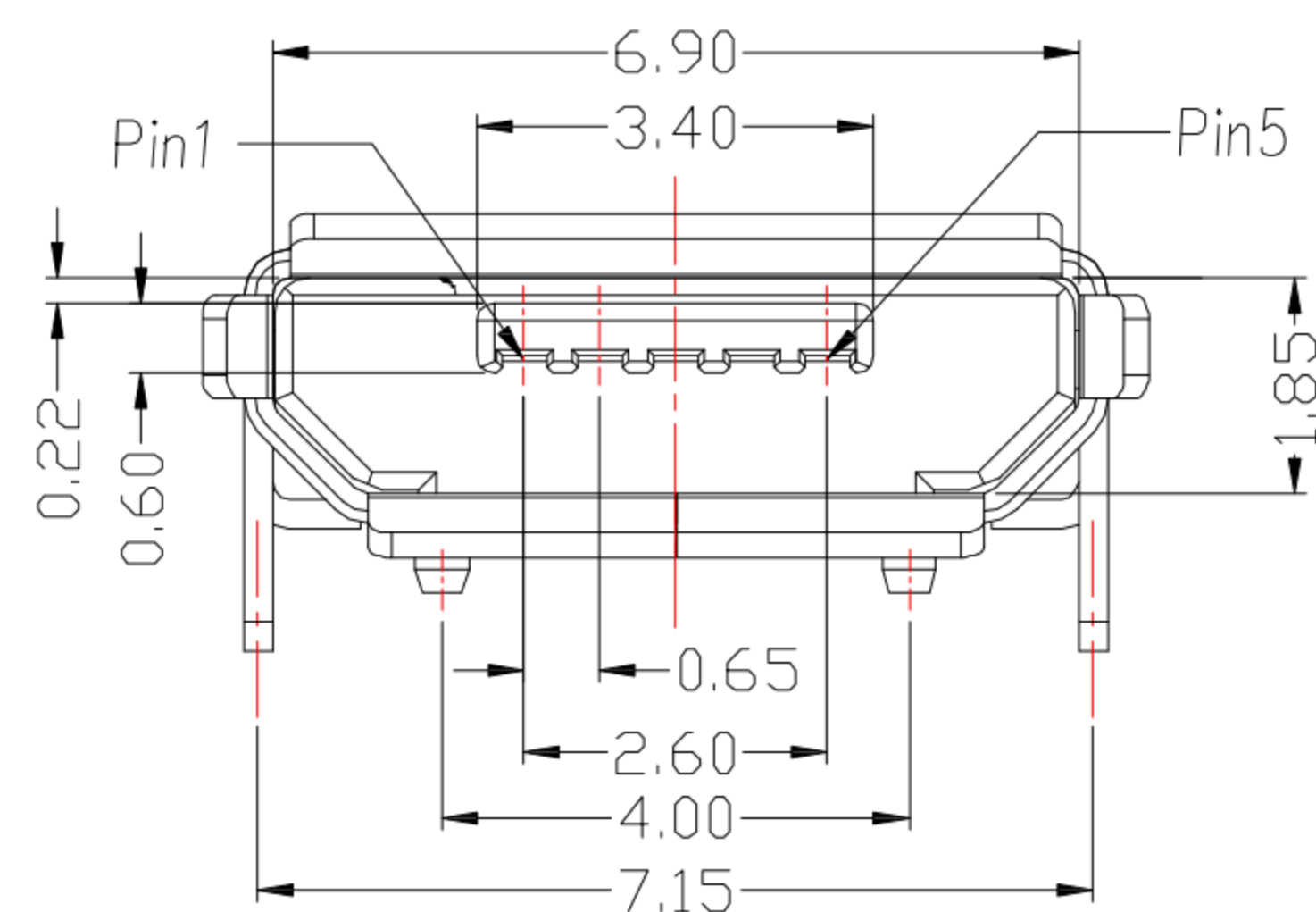
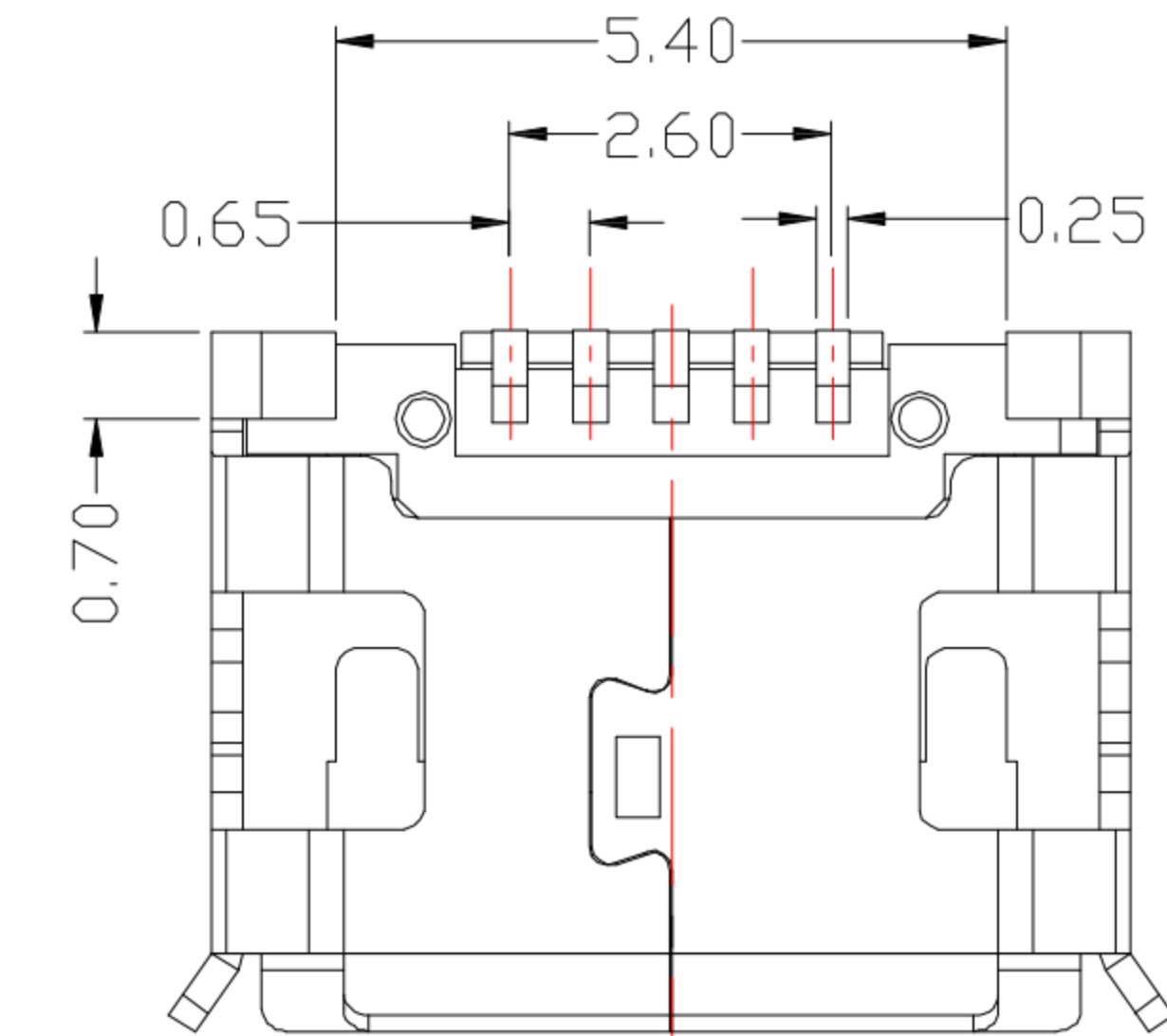
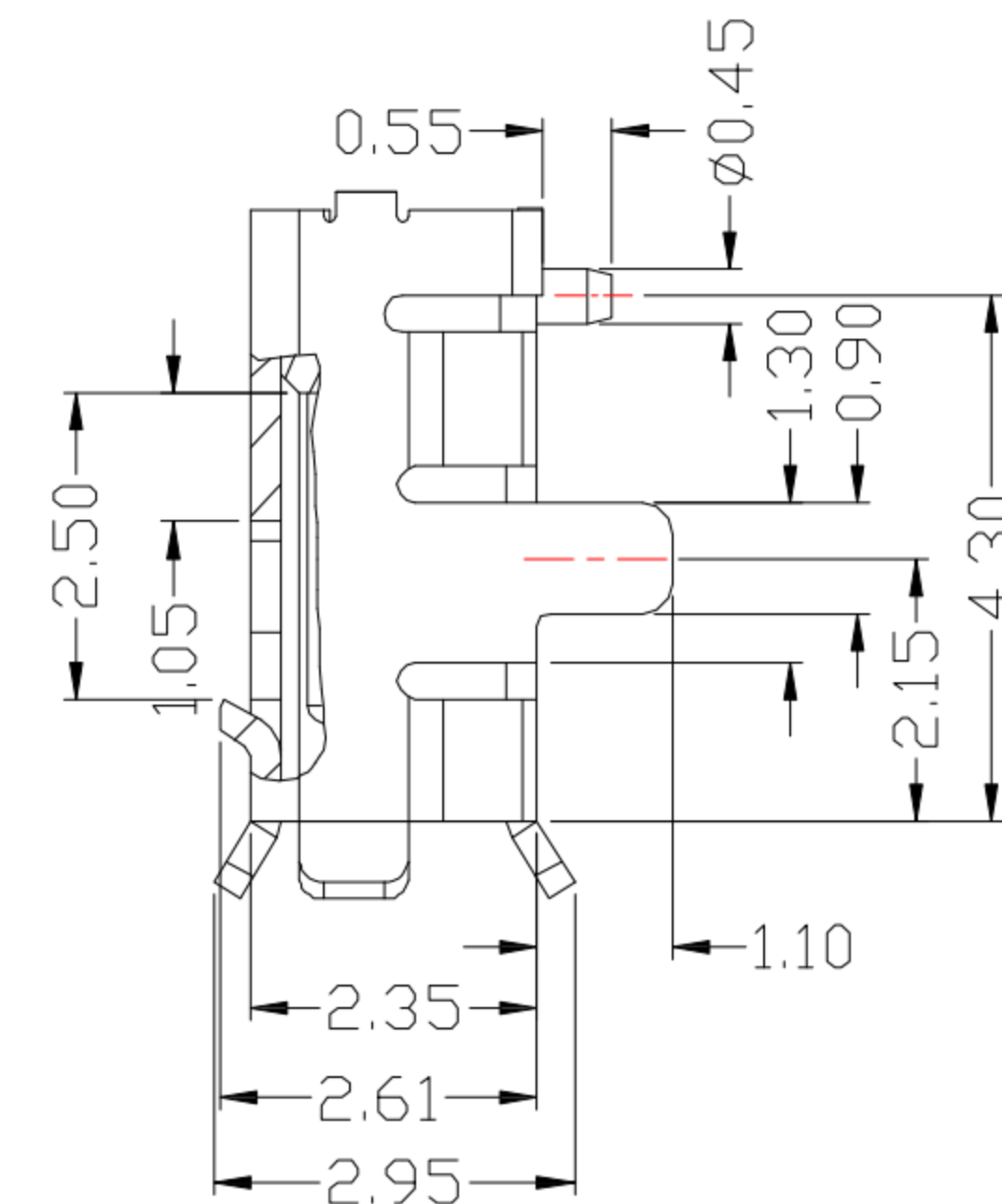
MRUSB-5B-ED1x-S347

SHELL 鍍層:

TN
NI



SECTION A-A'



P.C.B LAYOUT MOUNTING PATTERN

NOTES:

MATERIAL:

- 1.1 HOUSING: LCP, UL94V-0
- 1.2 CONTACT: PHOSPHOR BRONZE
- 1.3 SHELL: BRASS

Finish:

- 2.1 CONTACT: PLATED GOLD IN MATING AREA ; GOLD PLATED ON SOLDER BALLS ; NICKEL UNDER PLATED OVERALL
- 2.2 SHELL: TIN UNDER PLATED SURFACE LAYER OR NICKEL UNDER PLATED SURFACE LAYER

3.SPECIFICATION:

- 3.1 CURRENT RATING: 1.0 A MAX
- 3.2 DIELECTRIC WITHSSTANDING VOLTAGE: 100 V(ac) FOR 1min
- 3.3 CONTACT RESISTANCE: 30 mΩ MAX.
- 3.4 INSULATION RESISTANCE: 100 MΩ MIN.
- 3.5 TOTAL MATING FORCE: 3.57 Kgf MAX.
- 3.6 TOTAL UNMATING FORCE: 1.0 Kgf MIN.
- 3.7 TEMPERATURE RANGE: -30°C ~ +80°C

XB 东莞市溪榜电子有限公司
Switch Connector DONG GUAN XI BANG ELECTRONICS CO., LTD

TOLERANCE UNLESS OTHERWISE STATED:	Up to 5 ±0.2	Above 5 ~ 15 ±0.3	Above 15 ~ 30 ±0.4	Above 30 ~ 50 ±0.5	Angle ±0.3°	3RD. ANGEL'S	UNITS	MM
------------------------------------	--------------	-------------------	--------------------	--------------------	-------------	--------------	-------	----

DRAWN BY:	DATE	MAT'L	TITLE	CONNECTOR
Jack Lu	04/17/19		MODLE	MICRO USB 5B/F SMT 插板7.15 脚长 1.10,有柱 有卷边
CHECKED BY:	DATE	FINISH	DWG NO.	MRUSB-5B-ED1x-S347
Jacky Chen	04/17/19		SCALE	1 : 1
APPROVED BY:	DATE	SHEET NO.	PART NO.	MRUSB-5B-ED1x-S347
Tony Kao	04/17/19	1 of 1		

ITEM NO.	DESCRIPTION	DRAWN	DATE
3	更新樣式	Lan	041719
2	更新底部樣式	Jack	012119
1	新增尺寸	Jack	031218