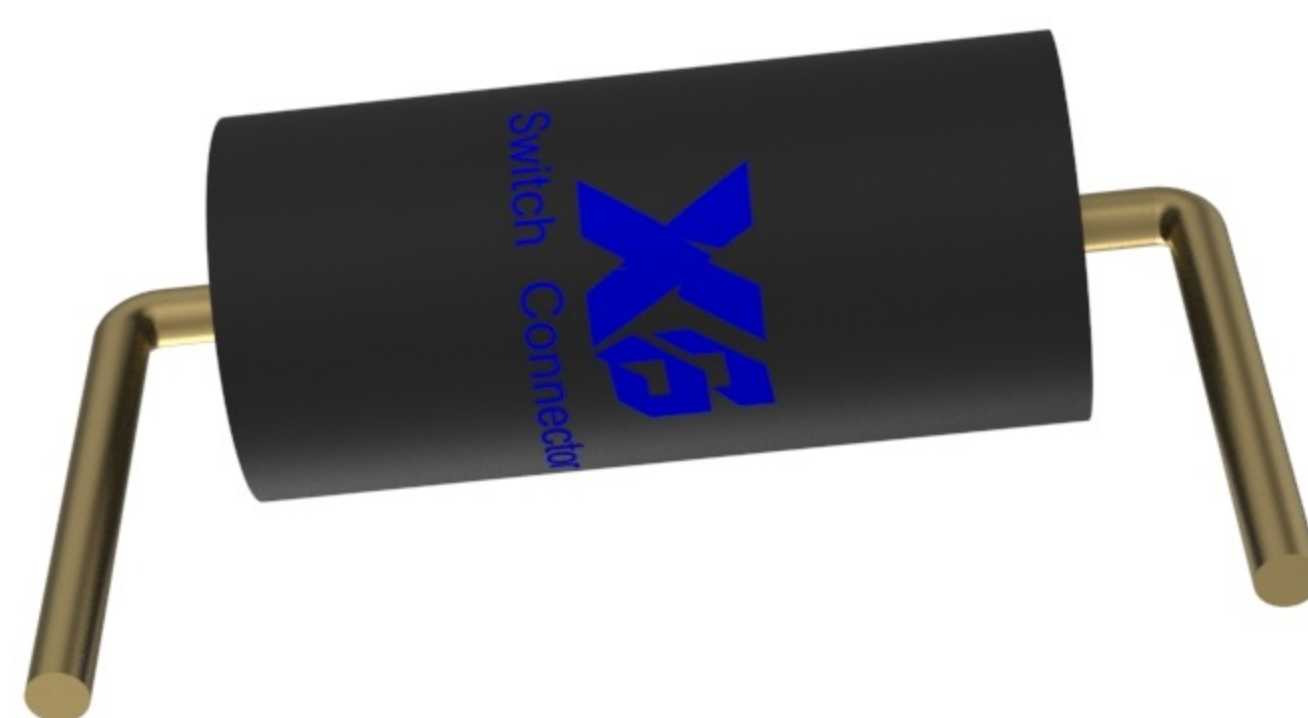
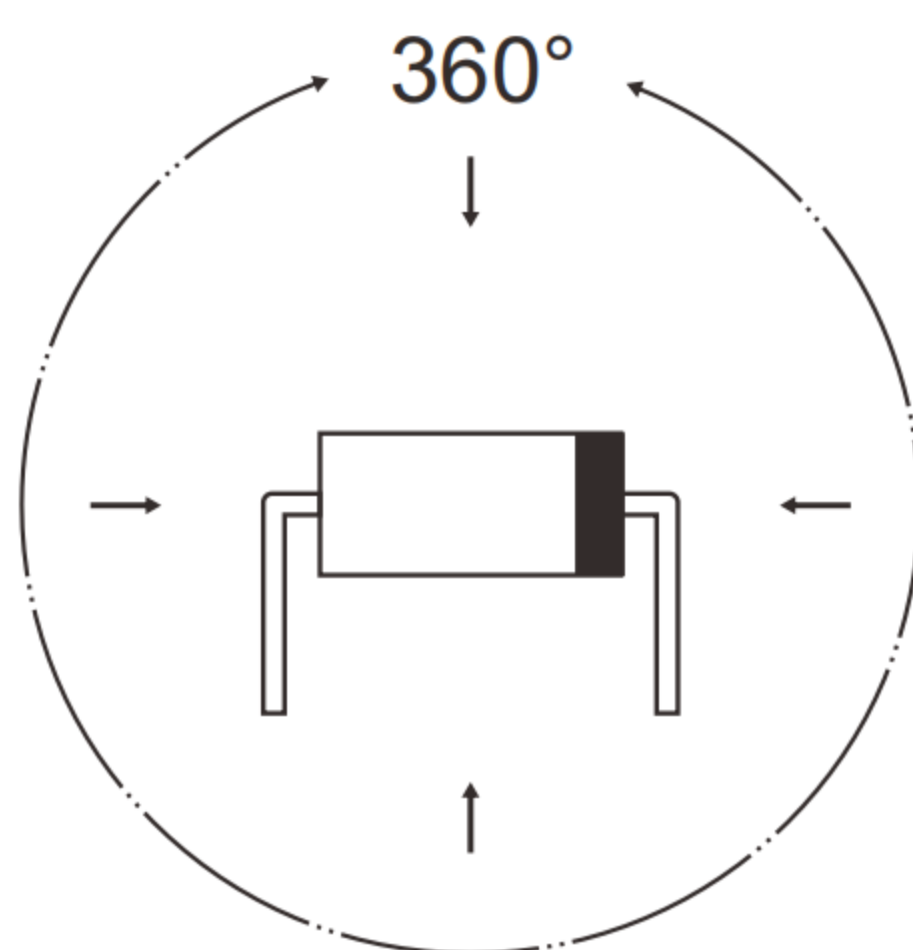
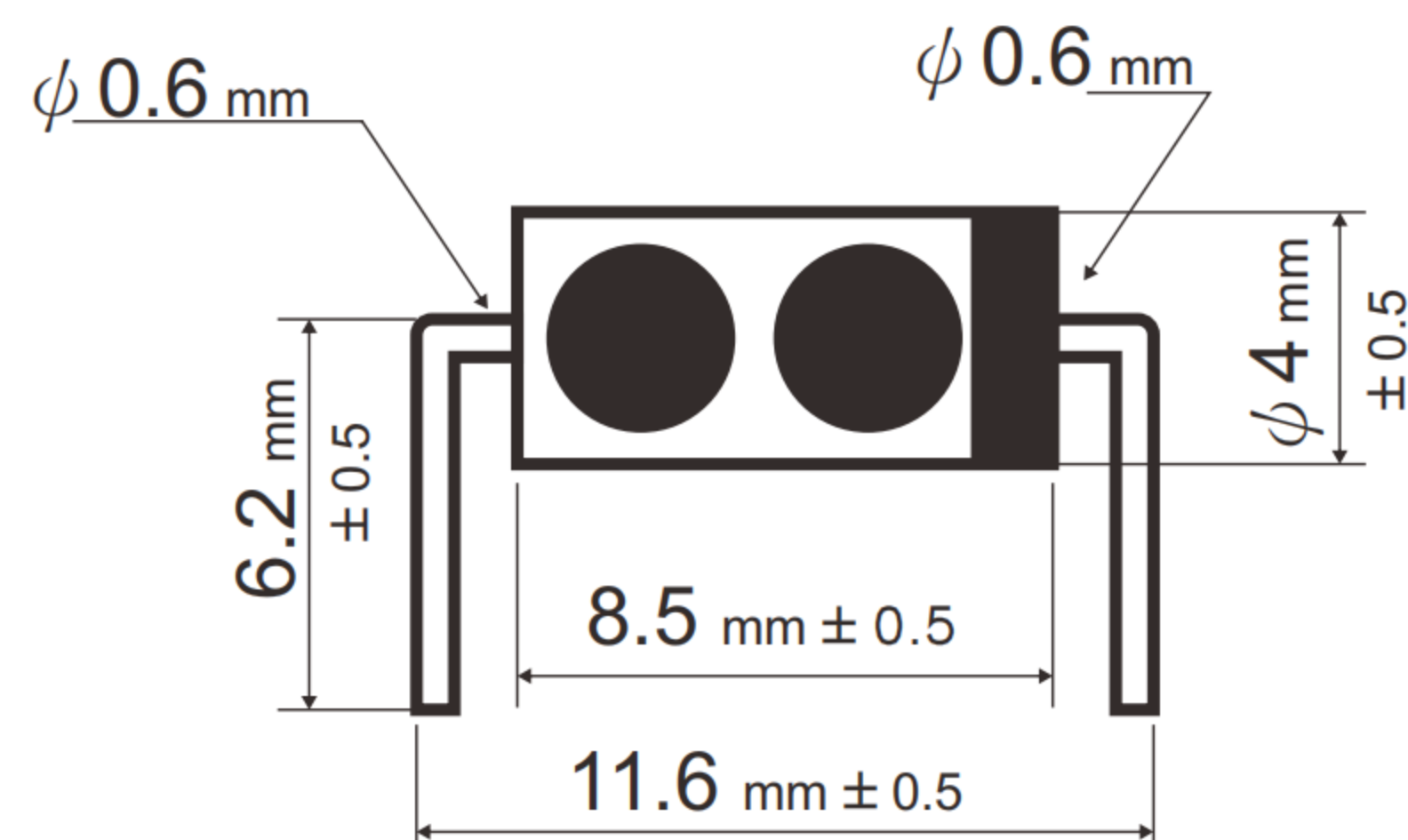


CAD FILE:

**ROHS**



- When the switch is motionless, the circuit is closed (ON). When it detects any vibration, the circuit will be open and then close instantly (ON→OFF→ON) for IC trigger signal.
- With small dimension, high sensitive, provide durable function can be fitted into horizontal and vertical PCB.
- Our products are made in Taiwan, qualified ROHS, and patented. Suitable for low current and low voltage.

The switch can be used in all kinds of safety devices, remote control, GPS, shoes light, toys and lights of bicycles ...etc.

1. Maximum Switch Rating : 24VDC, 6mA
2. Electrical Life : 100,000 cycles Min.
3. Contact Resistance : 1Ω Max.
4. Differential Angle : Any angles.
5. Solder Temperature : Manual soldering 280°C, 3~5 seconds. (Reflow soldering)
6. Operating Temperature : -25°C~85°C

|     |         |                 |      |                 |   |       |           |                          |                              |
|-----|---------|-----------------|------|-----------------|---|-------|-----------|--------------------------|------------------------------|
| 8   |         |                 |      |                 | TOLERANCE   |       |           |                          |                              |
| 7   |         |                 |      |                 | UNLESS SPECIFIED  |       |           |                          |                              |
| 6   |         |                 |      |                 | WITHIN 1.5mm : ±0.1mm   | A     | 2012-9-25 | 初版                       | ZENQ. CHEN                   |
| 5   |         |                 |      |                 | OVER 1.5mm : ±0.2mm   | ISSUE | DATE      | DESCRIPTIONS OF REVISION | APPD.                        |
| 4   | CONTACT | SUS             | 1    | Ag CLAD         | TITLE : <b>Vibration Switch</b>                               |       |           | UNIT : mm                | DRWG NO.: <b>XB-HBTX429L</b> |
| 3   | CASE    | PPA/BRASS SRTIP | 1    | BLACK/Ag PLATED | MODEL:  |       |           | SCALE: 5:1               | DWN. JUN. YANG 2012-9-25     |
| 2   | COVER   | STEEL STRIP     | 1    | Ni PLATED       | <b>东莞市溪榜电子有限公司</b><br>DONG GUAN XI BANG ELECTRONICS CO., LTD. |       |           | CHK'D                    | DONG. PANG 2012-9-25         |
| 1   | KNOB    | PPA             | 1    | BLACK           |   |       |           | APPD.                    | ZENQ. CHEN 2012-9-25         |
| NO. | PARTS   | MATERIALS       | Q'TY | FINISH          |   |       |           |                          |                              |