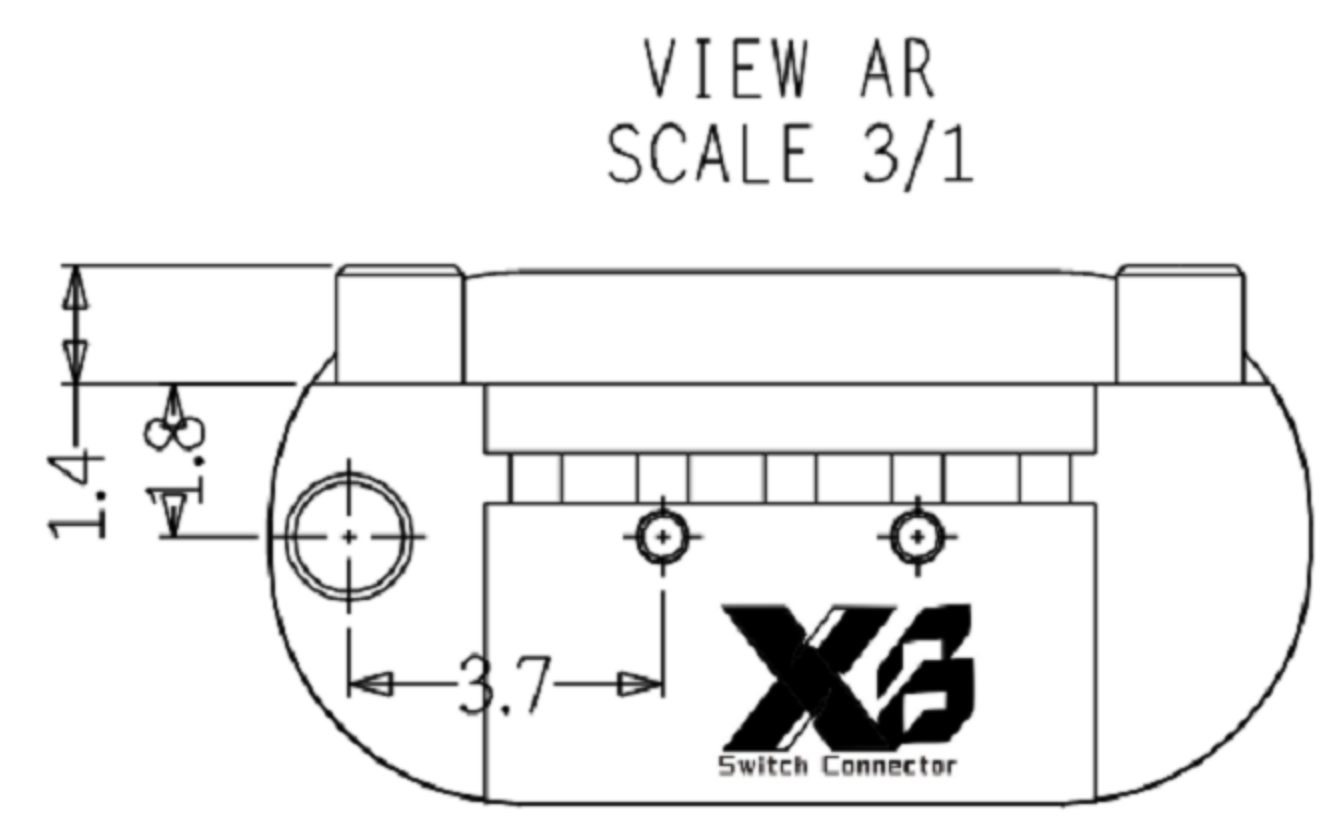
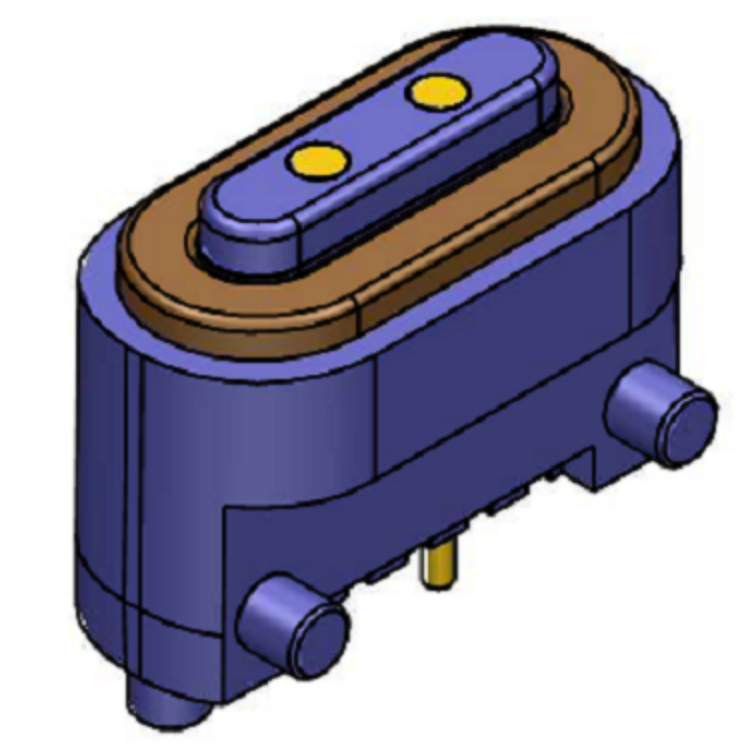


VIEW AK  
SCALE 3/1

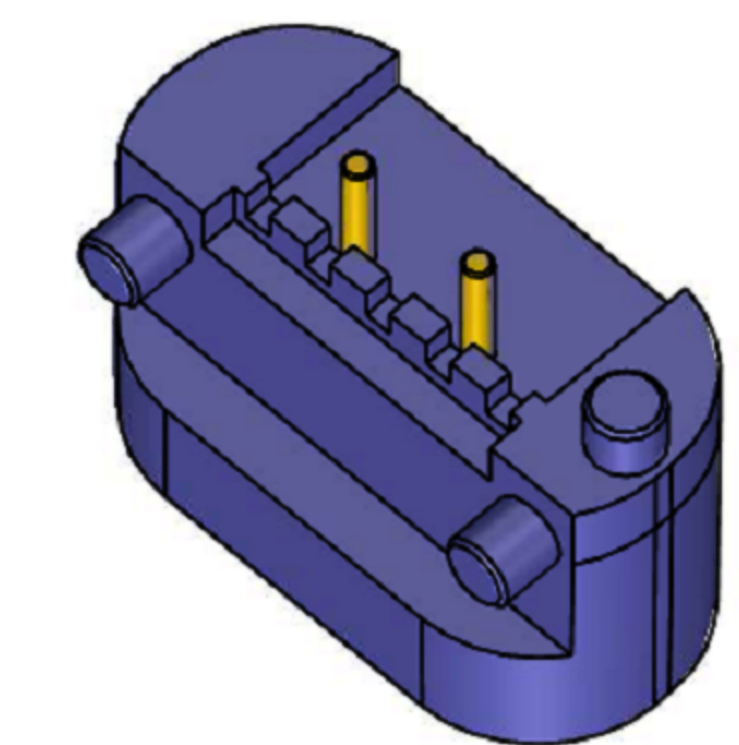


VIEW AR  
SCALE 3/1

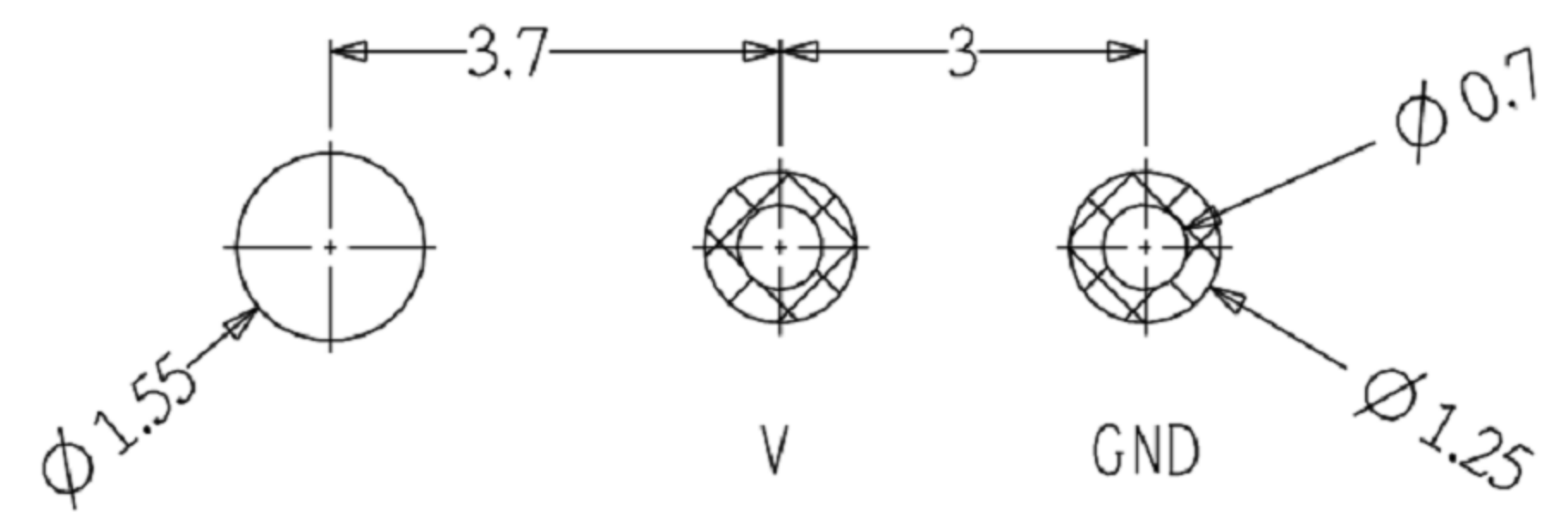
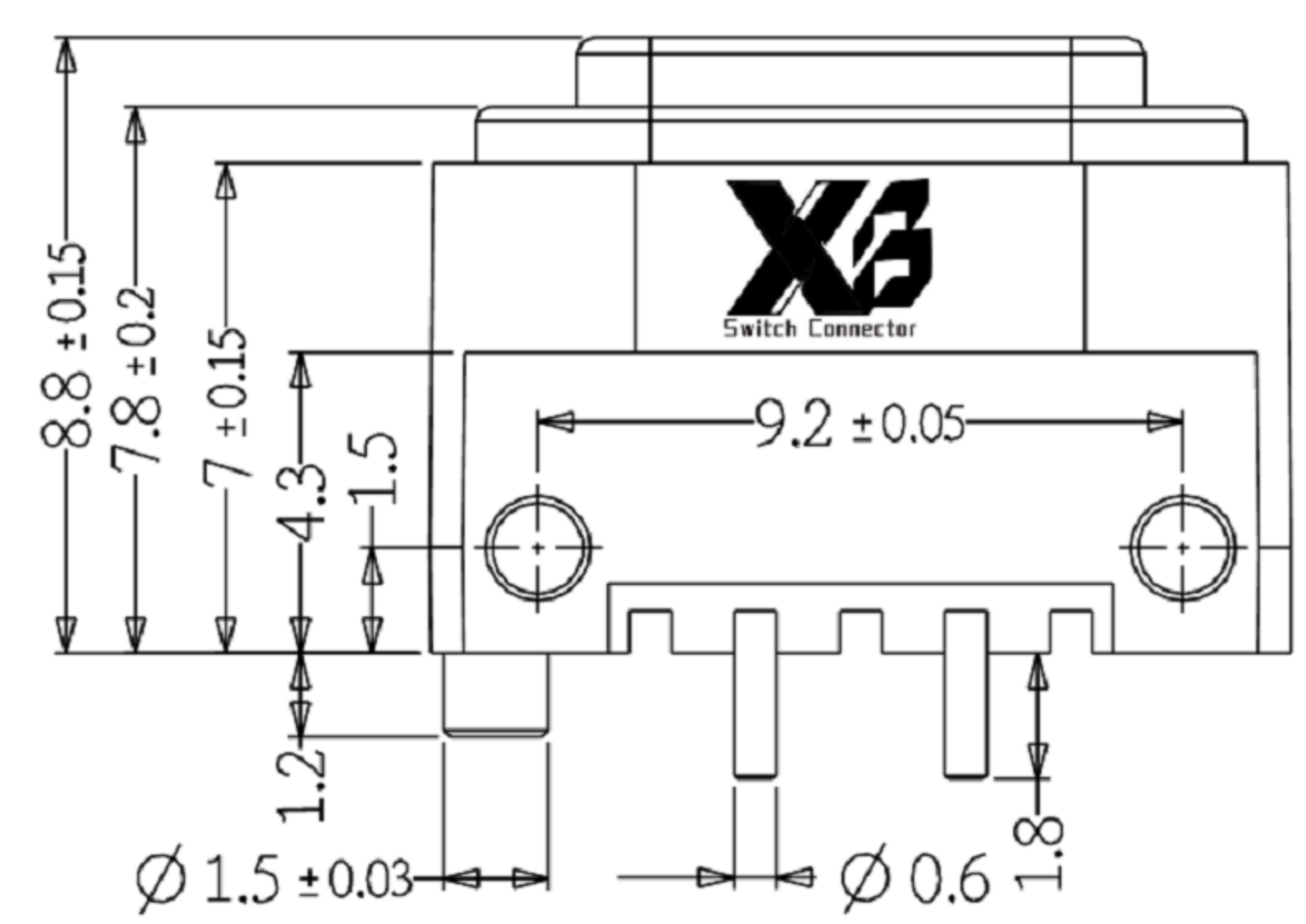
VIEW AP  
SCALE 3/1



VIEW AM  
SCALE 2/1



VIEW AN  
SCALE 2/1



VIEW AL  
Recommend PCB layout (TOP VIEW)  
SCALE 5/1  
Layout Tolerance: ±0.05

NOTE

1. Material  
Plunger: Brass  
Barrel: Brass  
Spring: SUS  
Housing: PA46
2. Plating  
Plunger: Au over NI  
Barrel: Au over NI
3. Electrical  
Rated current & voltage: DC 12V; 2.0A Max.
4. Mechanical  
Spring force: 60g±20% at normal working height  
Durability: 10,000 cycles(minimum)
5. To ensure the best usage, please operate it based on the working height Based on the engineering drawings, shall not exceed the maximum allowed compression
6. To avoid arcing issue, The adaptor start to power supply after connector mated fully.

图为焊盘位置和大小

**XB** 东莞市溪榜电子有限公司  
DONG GUAN XI BANG ELECTRONICS CO., LTD.

TOLERANCE UNLESS OTHERWISE STATED:  
Up to 5 ±0.2  
Above 5 ~ 15 ±0.3  
Above 15 ~ 30 ±0.4  
Above 30 ~ 50 ±0.5  
Angle ±0.3

3RD. ANGEL'S

UNITS MM

DRAWN BY:	DATE	MAT'L	TITLE	CONNECTOR
Long. Liu. Ting	23. 4. 8	FINISH	MODLE	POGO PIN
CHECKED BY:	DATE	SCALE	DWG NO.	XB-PGC-CT-300M-2P-M
Lai. Hai. Jie	23. 4. 8	SHEET NO.	PART NO.	Magnetic PoGo Pin
APPROVED BY:	DATE			
He. Long. Fei	23. 4. 8			

ITEM NO.	DESCRIPTION	DRAWN	DATE