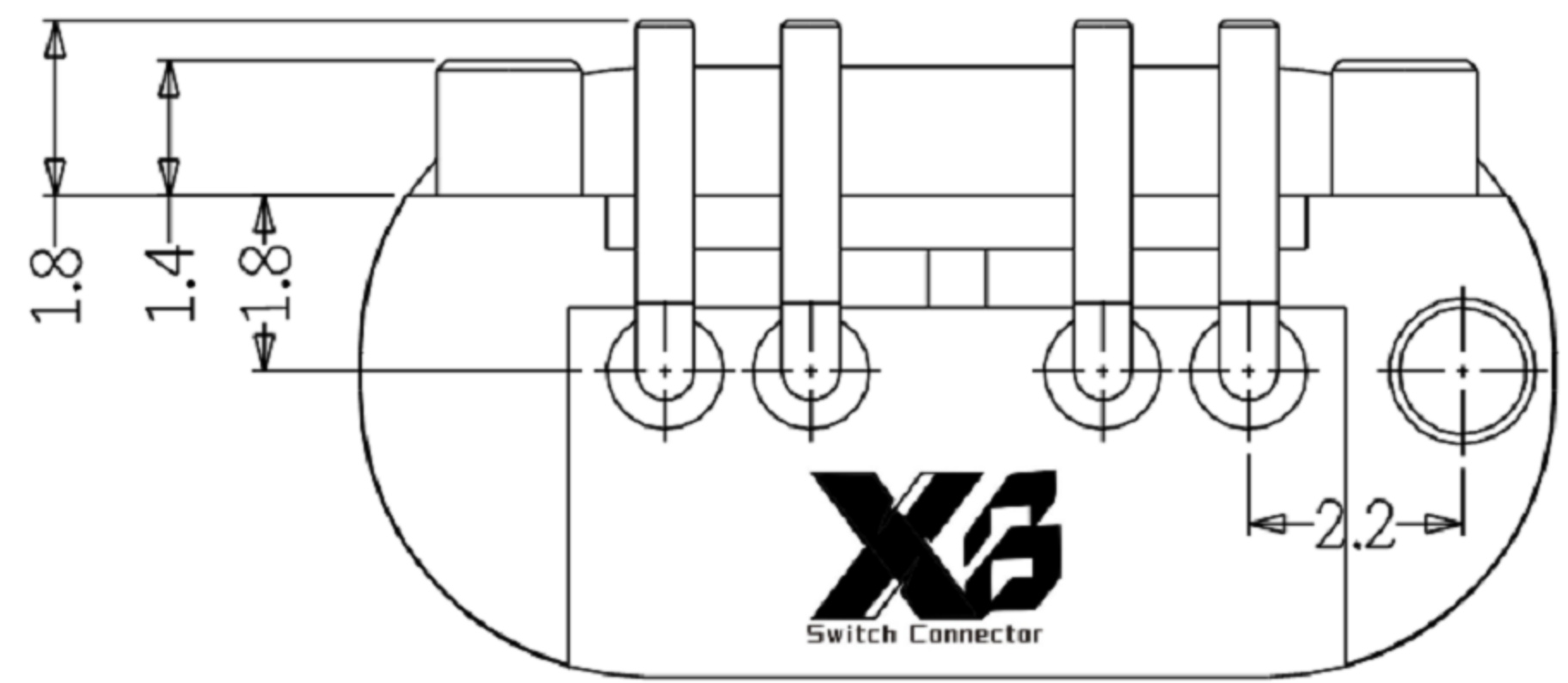
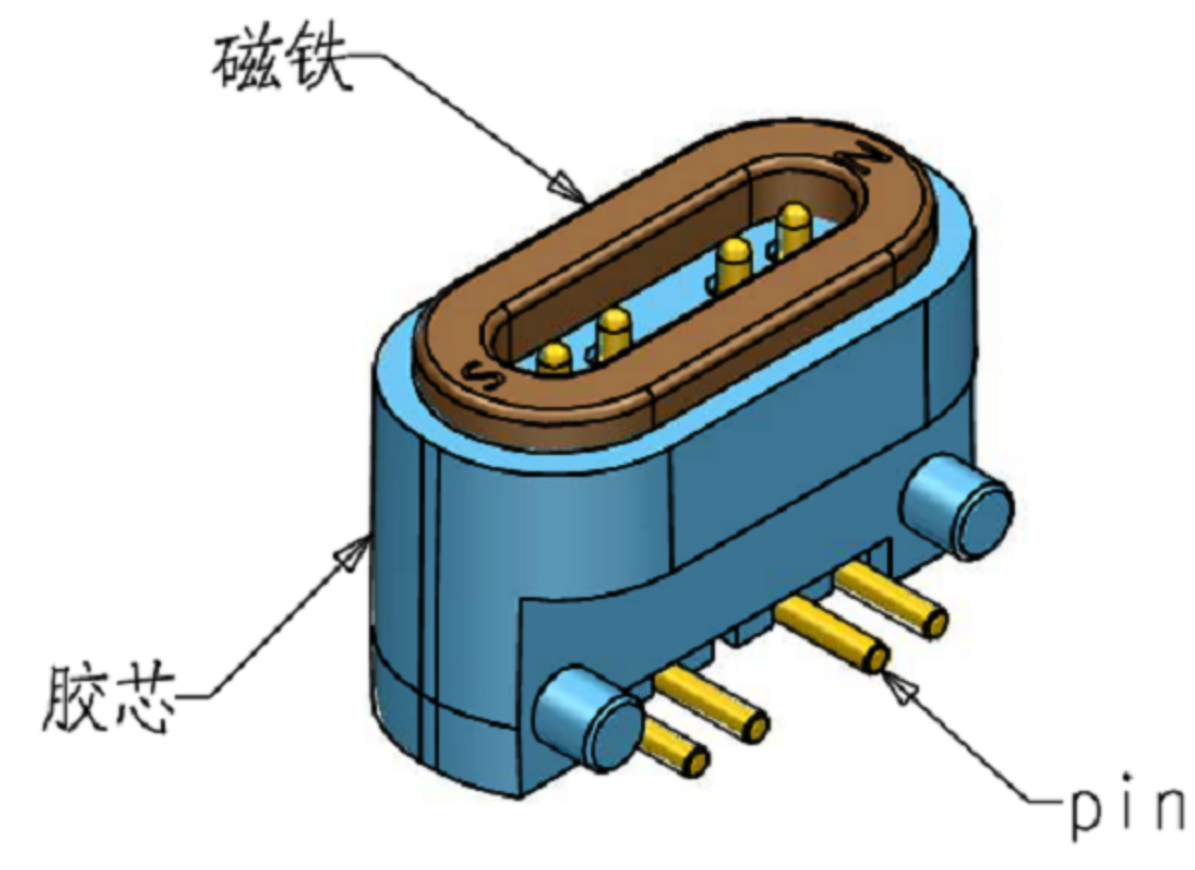


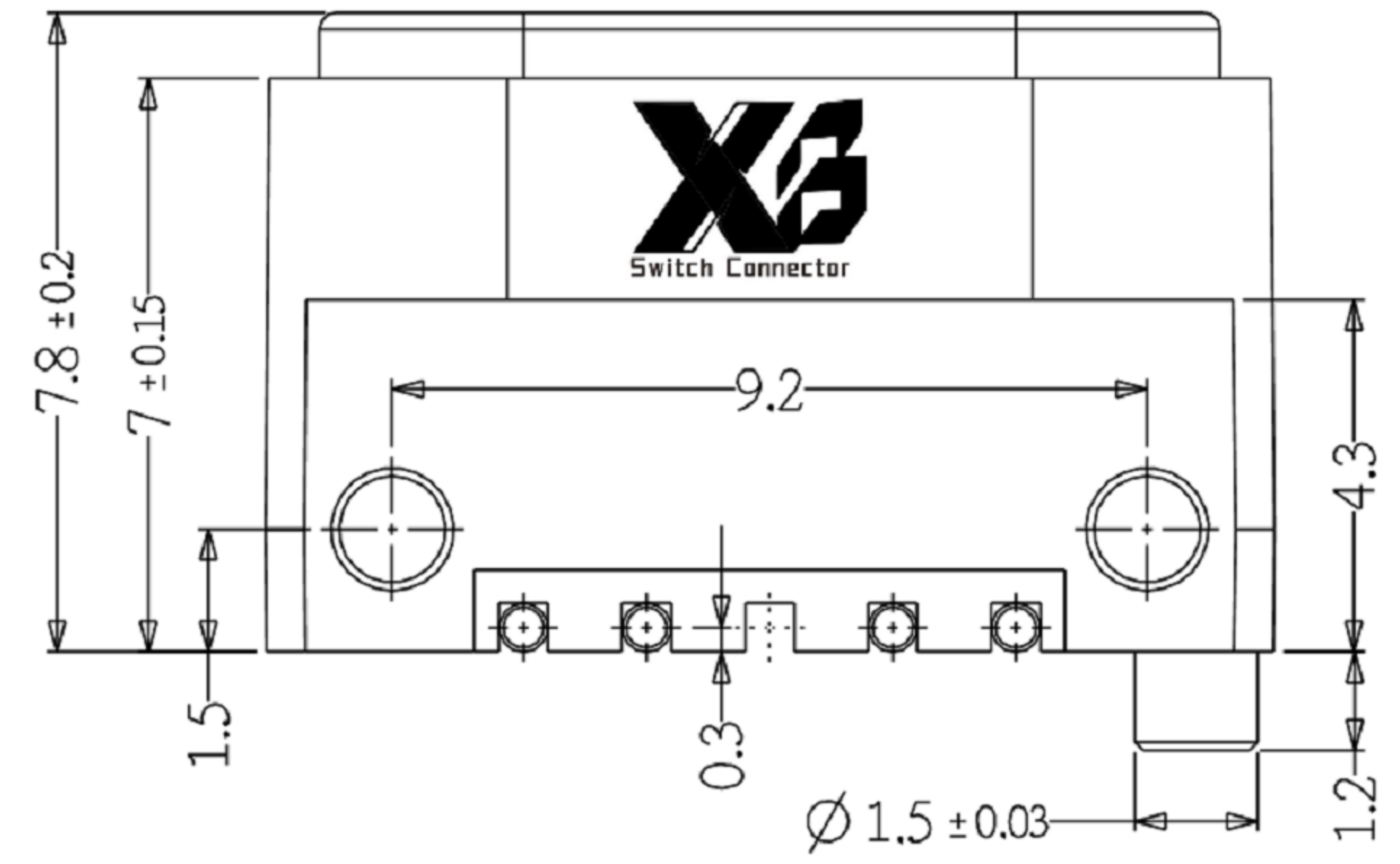
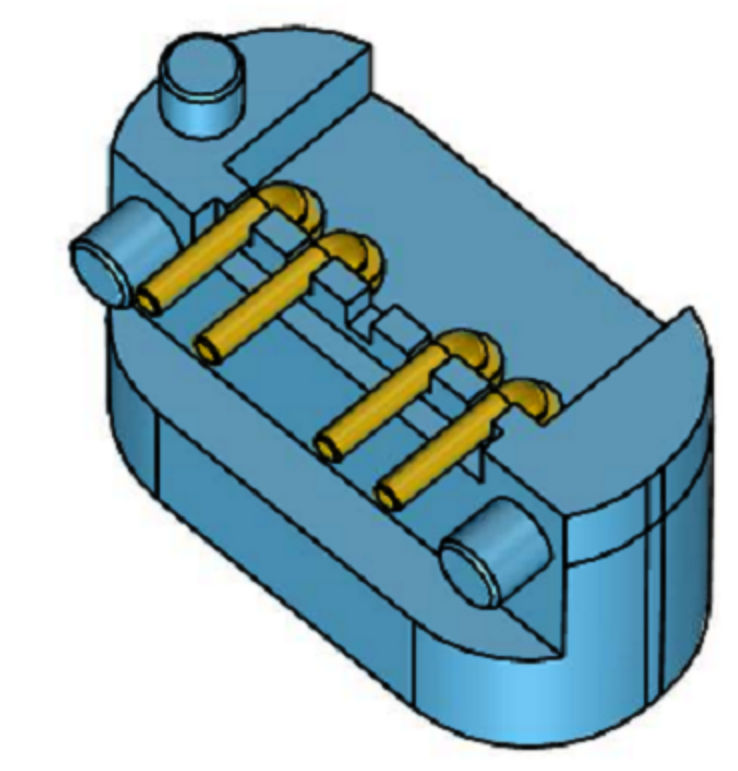
VIEW A
SCALE 4/1



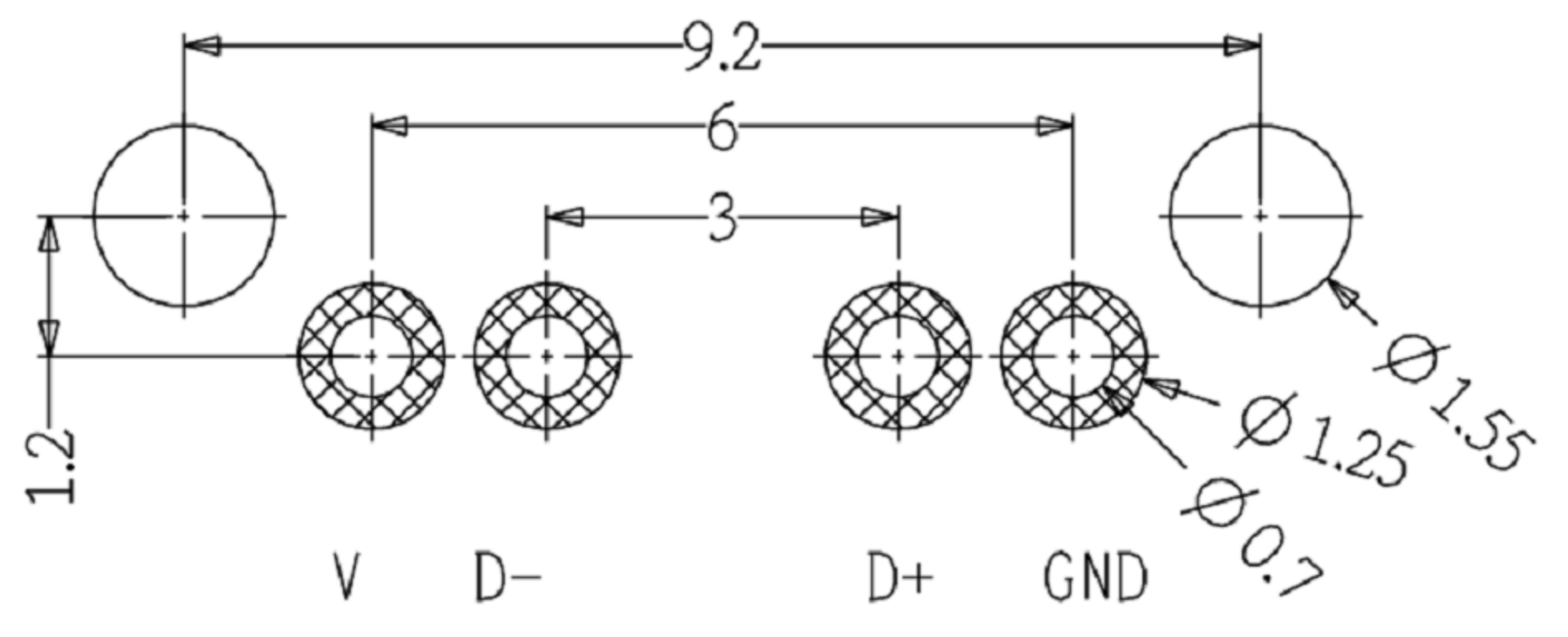
VIEW C
SCALE 4/1



VIEW D
SCALE 2/1



VIEW B
SCALE 4/1



Recommend PCB Layout(TOP VIEW)
Layout Tolerance: ±0.05

NOTE

1. Material
Plunger: Brass
Barrel: Brass
Spring: SUS
Housing: PA46
2. Plating
Plunger: Au over NI
Barrel: Au over NI
3. Electrical
Rated current & voltage: DC 12V; 2.0A Max.
4. Mechanical
Spring force: 60g±20% at normal working height
Durability: 10,000 cycles(minimum)
5. To ensure the best usage, please operate it based on the working height Based on the engineering drawings, shall not exceed the maximum allowed compression
6. To avoid arcing issue, The adaptor start to power supply after connector mated fully.

X3 东莞市溪榜电子有限公司
DONG GUAN XI BANG ELECTRONICS CO., LTD.

TOLERANCE UNLESS OTHERWISE STATED:
Up to 5 ±0.2
Above 5 ~ 15 ±0.3
Above 15 ~ 30 ±0.4
Above 30 ~ 50 ±0.5
Angle ±0.3°

3RD. ANGEL'S

UNITS MM

DRAWN BY: Long. Liu. Ting 23. 4. 8
CHECKED BY: Lai. Hai. Jie 23. 4. 8
APPROVED BY: He. Long. Fei 23. 4. 8

MAT'L		TITLE	CONNECTOR
FINISH		MODLE	POGO PIN
SCALE	1 : 1	DWG NO.	XB-PGC-CT-300G-4P-X
SHEET NO.	1 of 1	PART NO.	Magnetic PoGo Pin

ITEM NO.	DESCRIPTION	DRAWN	DATE