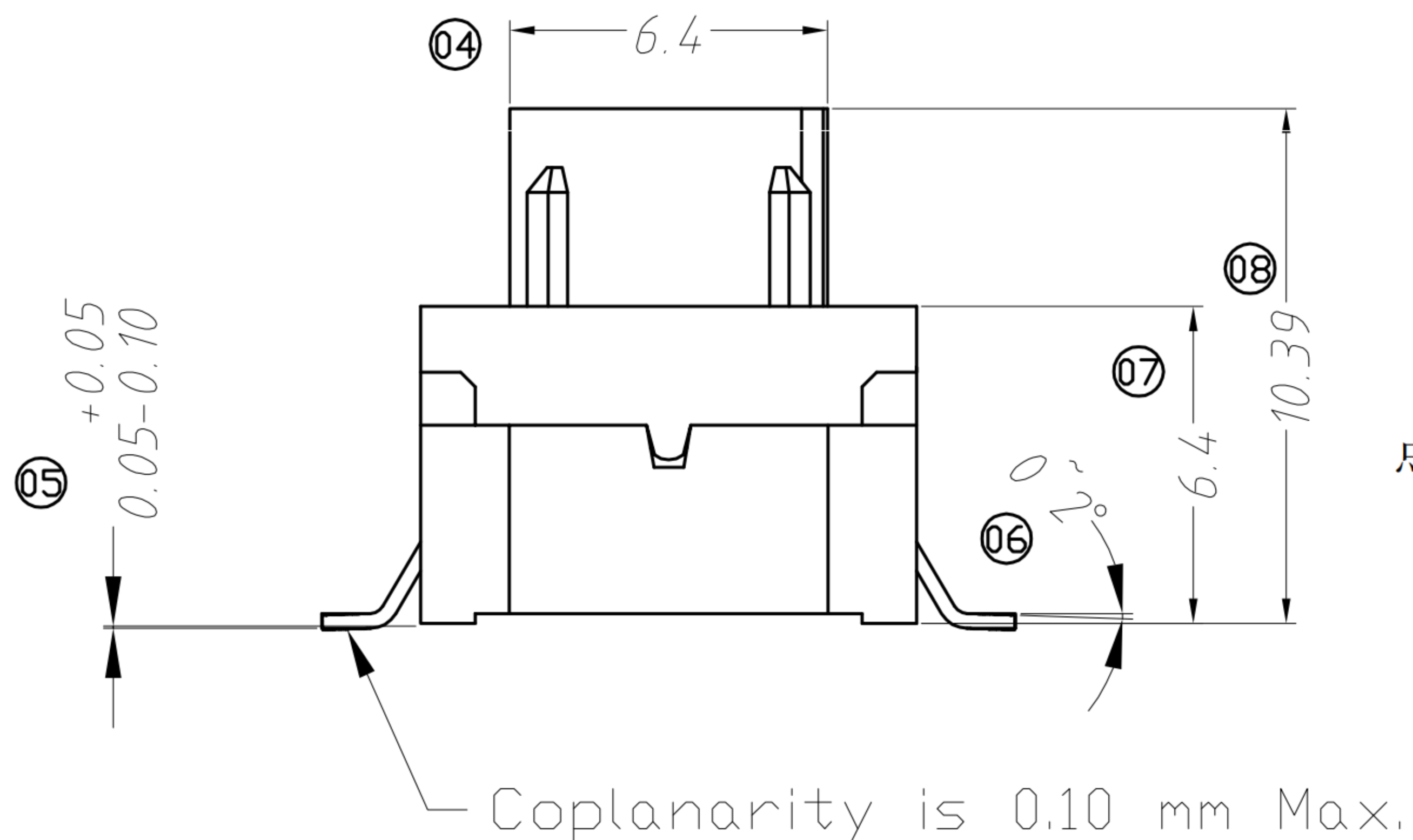
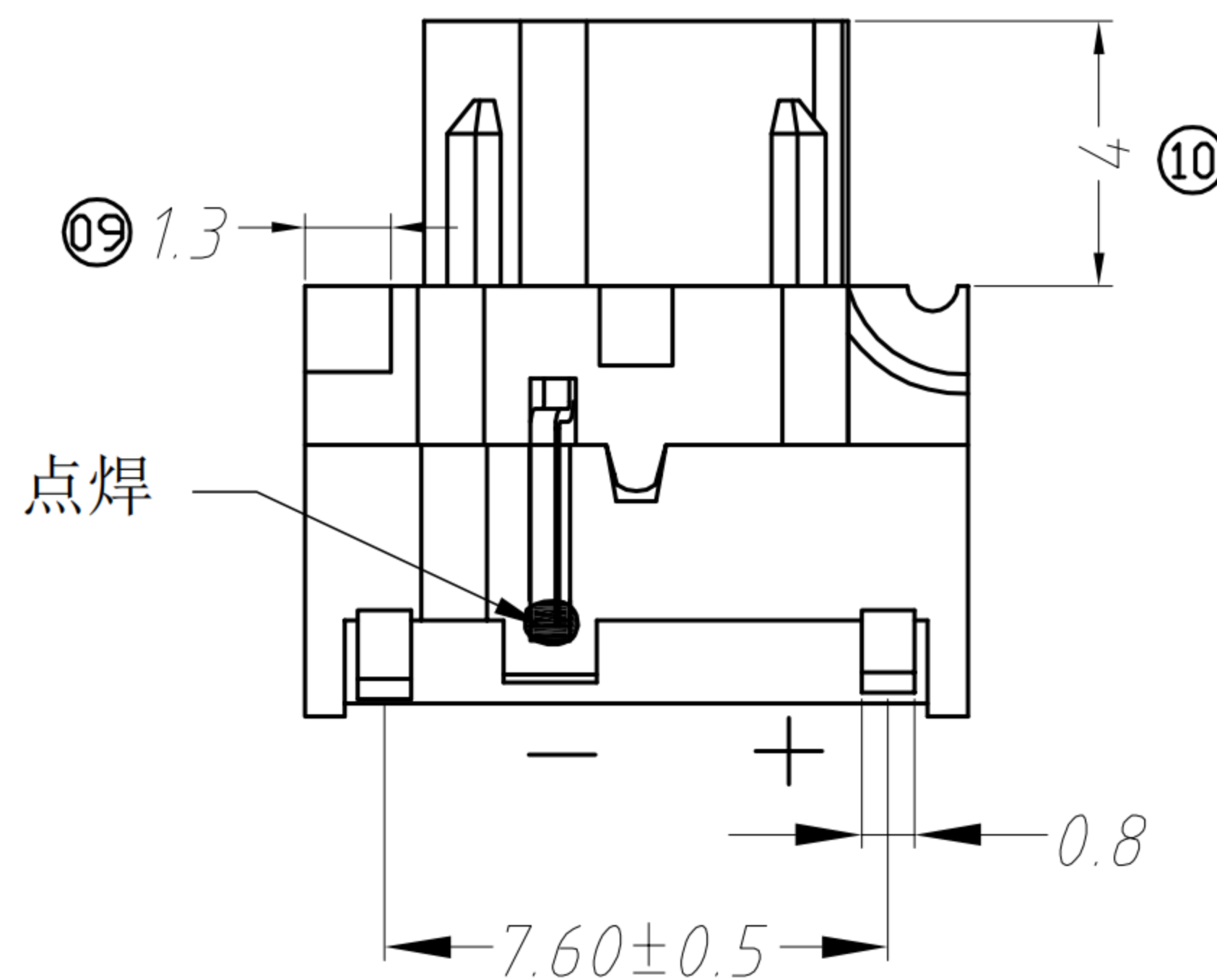
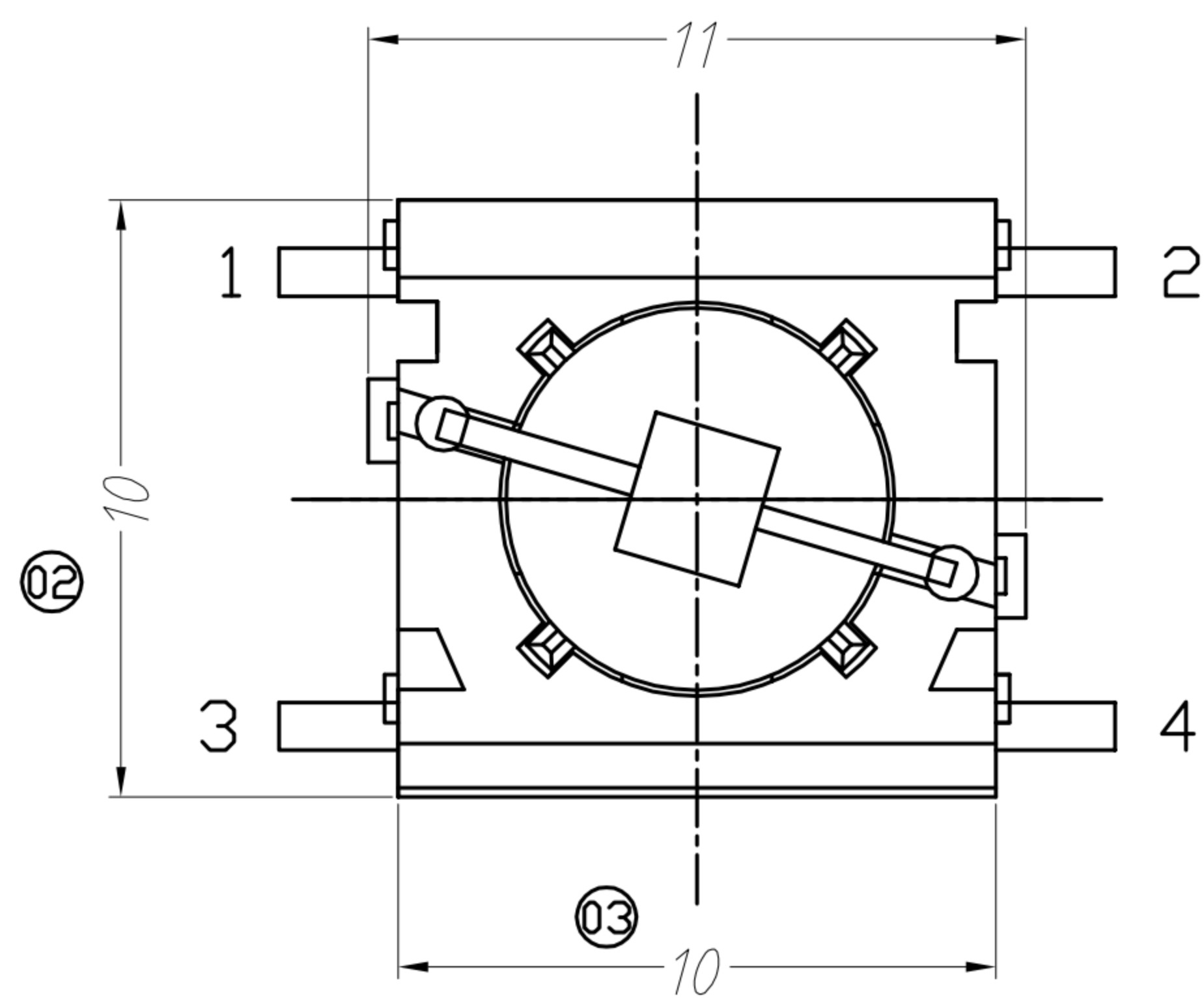


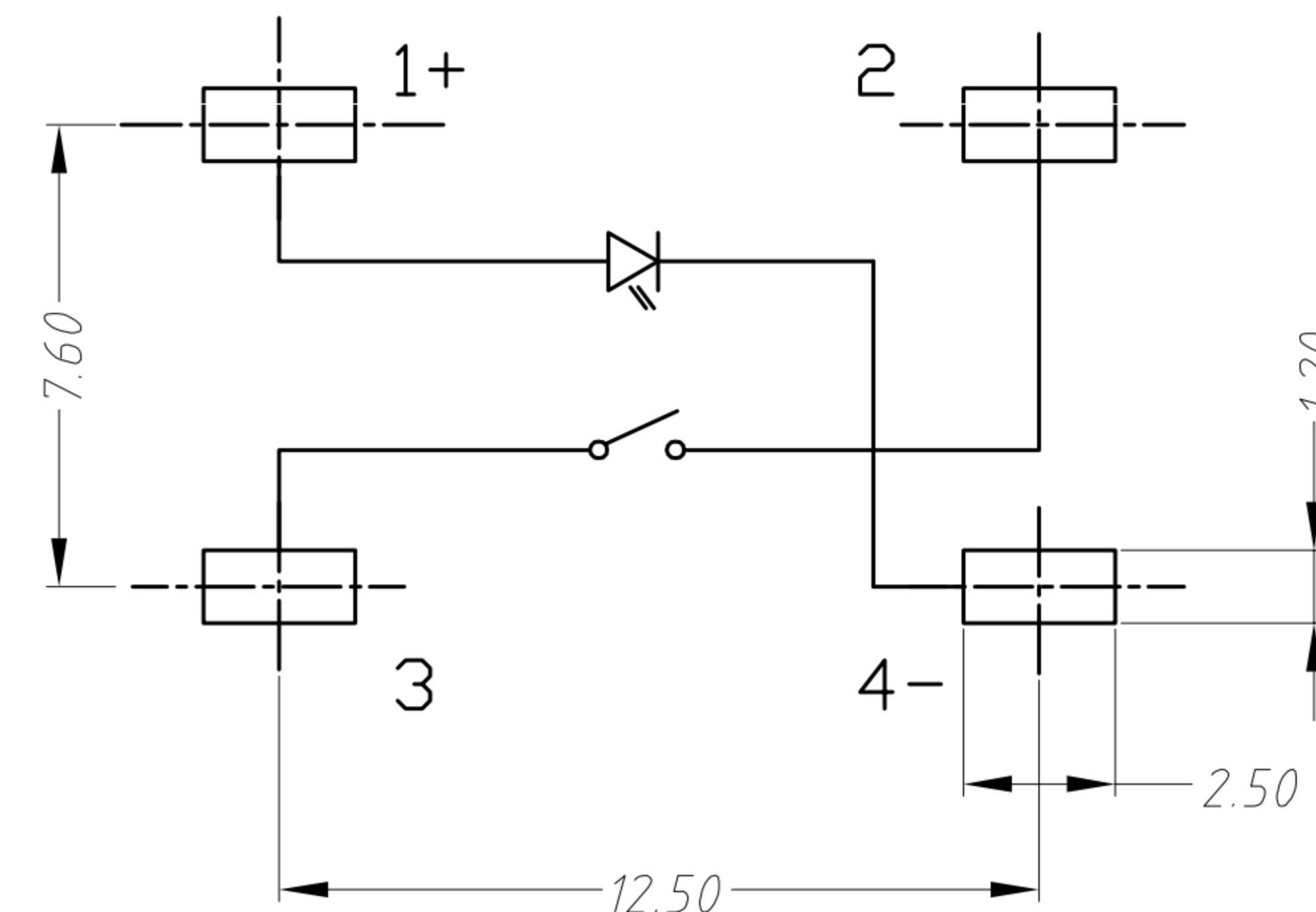
CAD FILE:

ROHS



技术要求:

- 1、开关防水等级: IP67;
- 2、开关寿命: >1, 000, 000;
- 3、开关符合ROHS标准。



PCB layout and Circuit Diagram

NO.	PARTS	MATERIALS	Q'TY	FINISH	TOLERANCE UNLESS SPECIFIED					
8					WITHIN 1.5mm : ±0.1mm		A	2012-9-25	初版	ZENQ. CHEN
7					OVER 1.5mm : ±0.2mm		ISSUE	DATE	DESCRIPTIONS OF REVISION	APPD.
4	CONTACT	SUS	1	Ag CLAD	TITLE : Tact Switch			UNIT : mm	DRWG NO.:XB-10-3-M-X-H10	
3	CASE	PPA/BRASS SRTIP	1	BLACK/Ag PLATED	MODEL:			SCALE: 5:1	DWN.	JUN. YANG 2012-9-25
2	COVER	STEEL STRIP	1	Ni PLATED	东莞市溪榜电子有限公司 DONG GUAN XI BANG ELECTRONICS CO., LTD.			CHK'D	DONG. PANG	2012-9-25
1	KNOB	PPA	1	BLACK				APPD.	ZENQ. CHEN	2012-9-25