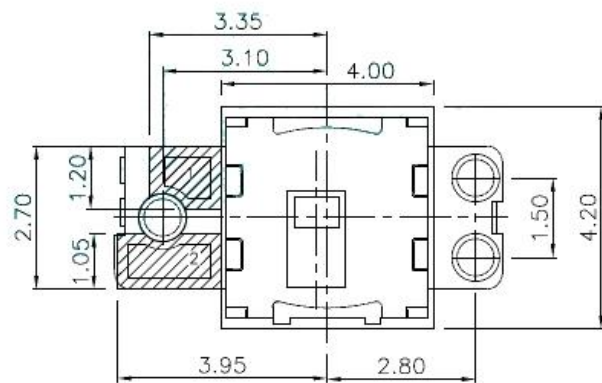
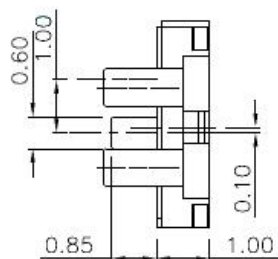
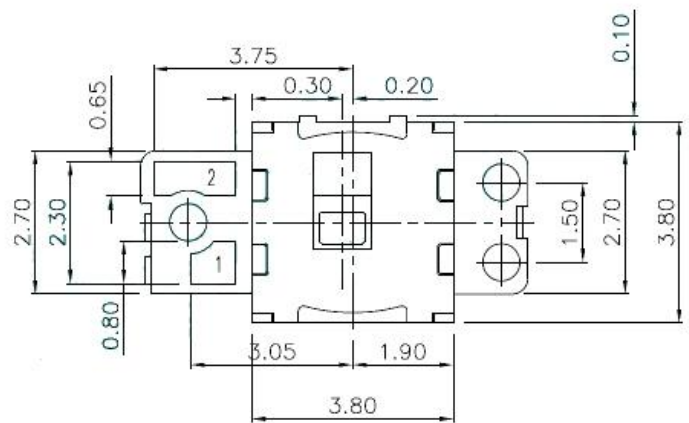


CIRCUIT DIAGRAM



Recommended PAD Layout
TOP VIEW



NOTE: Operating force: 180±50gf

⑥	Spring Plated	1	SUS	Natural
⑤	Contact	1	Phosphor Bronze	Ni Plated
④	Terminal	2	Phosphor Bronze	Ag Plated
③	Slider	1	LCP	Black
②	Cover	1	SPCC	Ag Clad
①	CASE	1	LCP	Black
ITEM	PART NAME	QTY.	MATERIAL	FINISHING

APPROVALS		DATE	东莞市溪榜电子有限公司 DONG GUAN XI BANG ELECTRONIC CS CO., LTD.										
DRAWN	G.M.Chen	2014/8/18	TITLE:	SLIDE SWITCHES									
CHECKED			PART NO.	MS-12B01-G									
APPROVALS			UNIT: mm	SCALE: 1:1									
TOLERANCES ARE		<table border="1"> <tr> <td>30~0.1</td> <td>±0.30</td> </tr> <tr> <td>10~30</td> <td>±0.20</td> </tr> <tr> <td>5~10</td> <td>±0.15</td> </tr> <tr> <td>~ 5</td> <td>±0.10</td> </tr> </table>	30~0.1	±0.30	10~30	±0.20	5~10	±0.15	~ 5	±0.10	ANGLE	±2'	DRAWING NO.
30~0.1	±0.30												
10~30	±0.20												
5~10	±0.15												
~ 5	±0.10												
ECN NO.	REV.	DATE.	CHANGE.	CHECK.									
			APPRO.										

			NEW			
ECN NO.	REV.	DATE.	DESCRIPTION.	CHANGE.	CHECK.	APPRO.