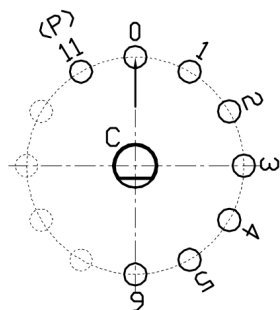
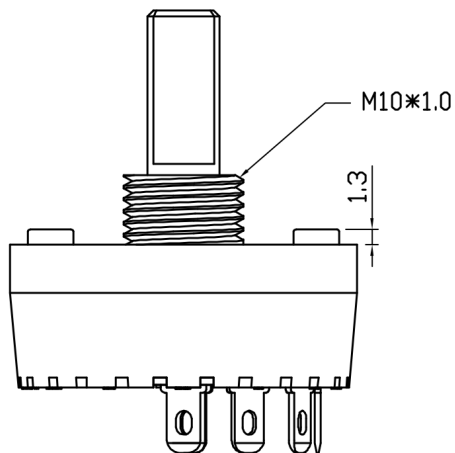
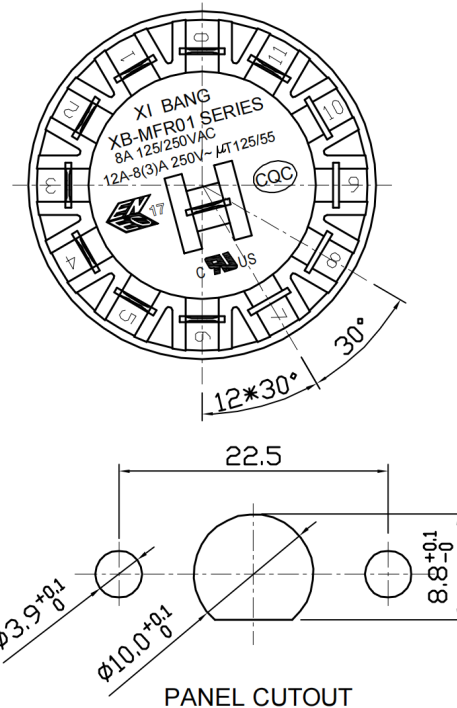
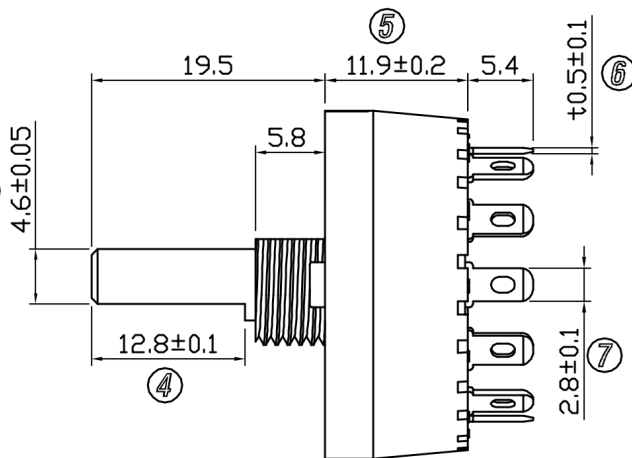
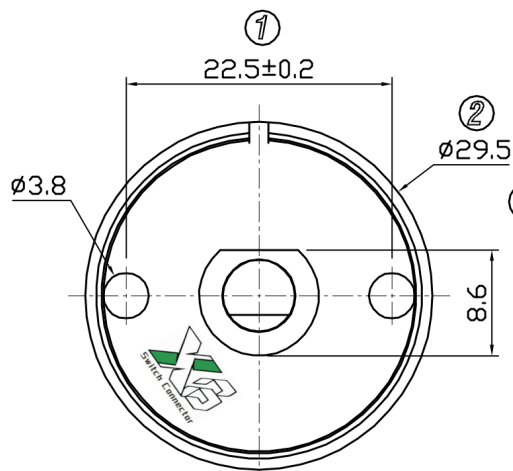


CAD FILE:

ROHS



CIRCUIT DESCRIPTION

1. 额定值 RATING: 8A 125/250VAC (UL, C-UL)
12A-8(3)A 250V~ μ T125/55 (ENEC-17, CQC, CB)
2. 功能 FUNCTIONAL: 见电路图 SEE CIRCUIT DESCRIPTION
带回弹功能 PLUS A MOMENTARY POSITION
3. 接触电阻 CONTACT RESISTANCE: <50mΩ
4. 绝缘电阻 INSULATION RESISTANCE: >100MΩ (500VDC BETWEEN OPEN CONTACTS)
5. 耐电压 DIELECTRIC STRENGTH: >1500VAC 0.5mA 1 MINUTE
6. "○"表示关键尺寸 DENOTES CRITICAL DIMENSIONS

NO.	PARTS	MATERIALS	Q'TY	FINISH	TOLERANCE UNLESS SPECIFIED	DATE	DESCRIPTIONS OF REVISION	APPD.
8								
7								
6					WITHIN 1.5mm : ±0.1mm	A	2012-9-25	初版
5					OVER 1.5mm : ±0.2mm	ISSUE	DATE	ZENQ. CHEN
4	CONTACT	SUS	1	Ag CLAD	TITLE : 电源旋转开关			UNIT : mm
3	CASE	PPA/BRASS SRTIP	1	BLACK/Ag PLATED	MODEL: Power Rotary Switch			DRWG NO.: XB-MFR01-A4M06L7BA-R
2	COVER	STEEL STRIP	1	Ni PLATED	SCALE: 5:1	DWN.	JUN. YANG	2012-9-25
1	KNOB	PPA	1	BLACK	CHK'D	DONG. PANG	2012-9-25	
					APPD.	ZENQ. CHEN	2012-9-25	



东莞市溪榜电子有限公司
DONG GUAN XI BANG ELECTRONI CS CO., LTD.