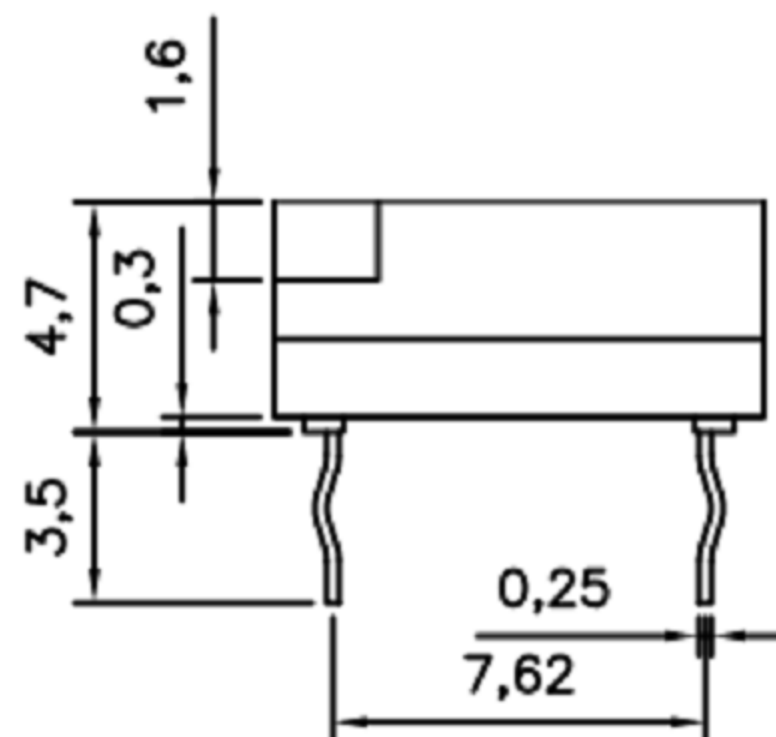
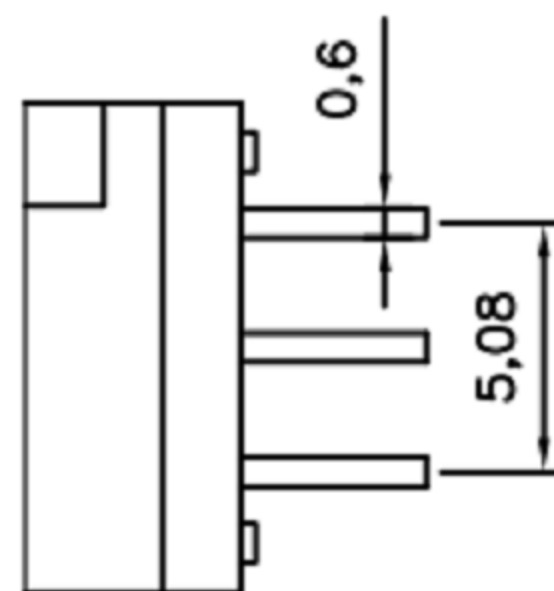
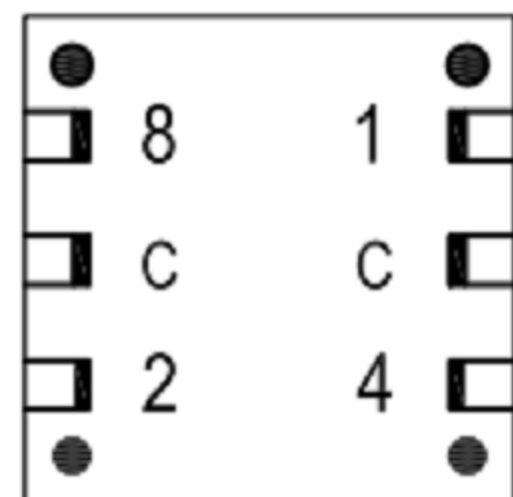
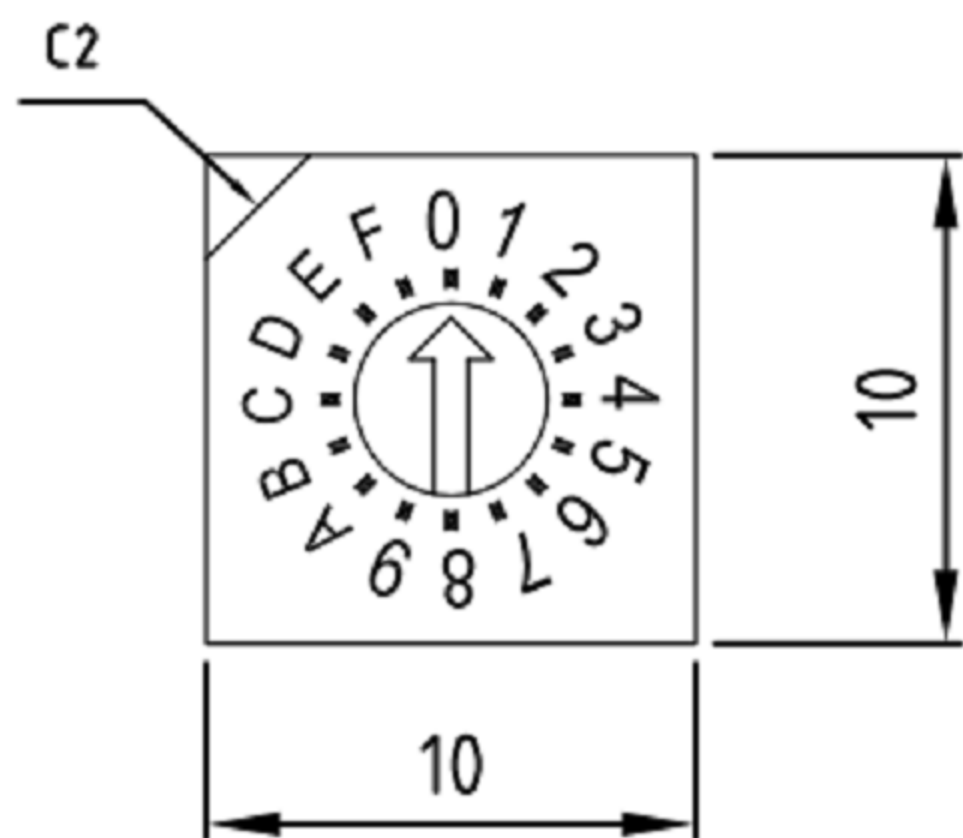
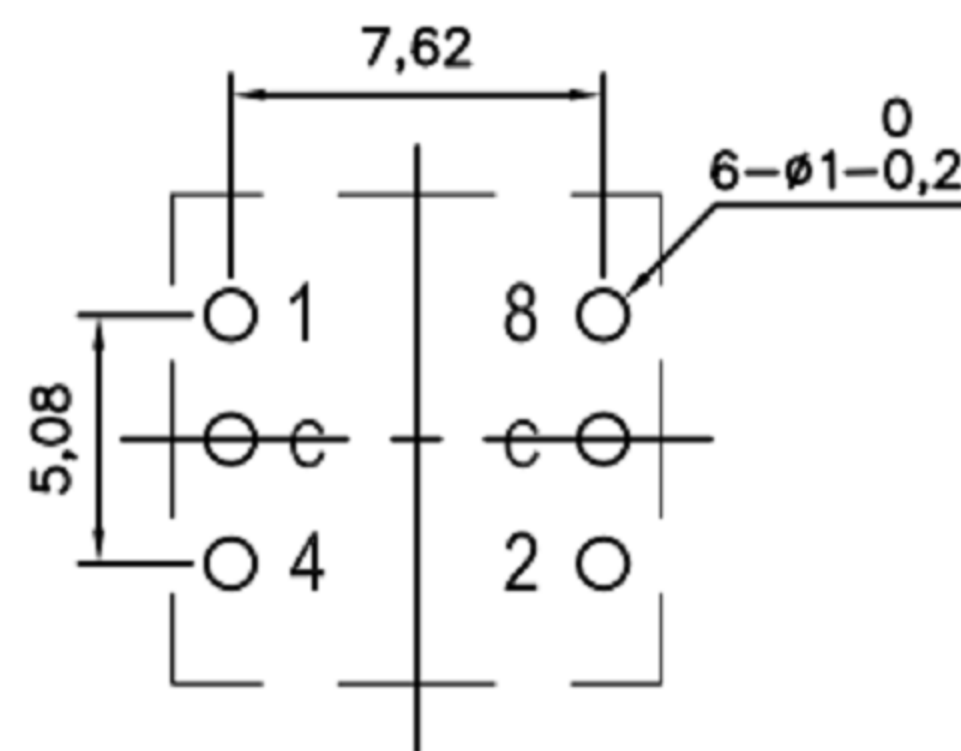


CAD FILE:

**ROHS**



**P.C.B. LAYOUT**



**1 ELECTRICAL**

Contact rating	25mA, 24 VDC
switching	100mA
non-switching	100mA
Contact resistance	100mΩ Max
Insulation resistance	1000MΩ Min.at 100 VDC
Dielectric strength	250VAC Min.for 60 seconds

**2 MECHANICAL AND ENVIRONMENTAL**

Temperature rating	
operating	-25℃ to +70℃
storage	-40℃ to + 85℃
Operation force	500gf-cm Max
Mechanical life	2000 steps per position

**3 OUTPUT CODES**

PIN NO	POSITION															
	0	1	2	3	4	5	6	7	8	9	A	B	C	D	E	F
1		●		●		●		●		●		●		●		●
2			●	●			●	●			●	●			●	●
4					●	●	●	●					●	●	●	●
8									●	●	●	●	●	●	●	●

NO.	PARTS	MATERIALS	Q'TY	FINISH	TOLERANCE UNLESS SPECIFIED		TITLE : Encoder Swith		UNIT : mm	DRWG NO.: XB-rs31600		
8					WITHIN 1.5mm : ±0.1mm		A	2012-9-25		初版		
7					OVER 1.5mm : ±0.2mm		ISSUE	DATE		DESCRIPTIONS OF REVISION		
6										ZENQ. CHEN		
5										APPD.		
4	CONTACT	SUS	1	Ag CLAD			MODEL:		SCALE: 5:1	DWN.	JUN. YANG	2012-9-25
3	CASE	PPA/BRASS SRTIP	1	BLACK/Ag PLATED			DONG GUAN XI BANG ELECTRONI CS CO., LTD.			CHK'D	DONG. PANG	2012-9-25
2	COVER	STEEL STRIP	1	Ni PLATED			APPD.			ZENQ. CHEN	2012-9-25	
1	KNOB	PPA	1	BLACK			DONG GUAN XI BANG ELECTRONI CS CO., LTD.					



**东莞市溪榜电子有限公司**  
DONG GUAN XI BANG ELECTRONI CS CO., LTD.