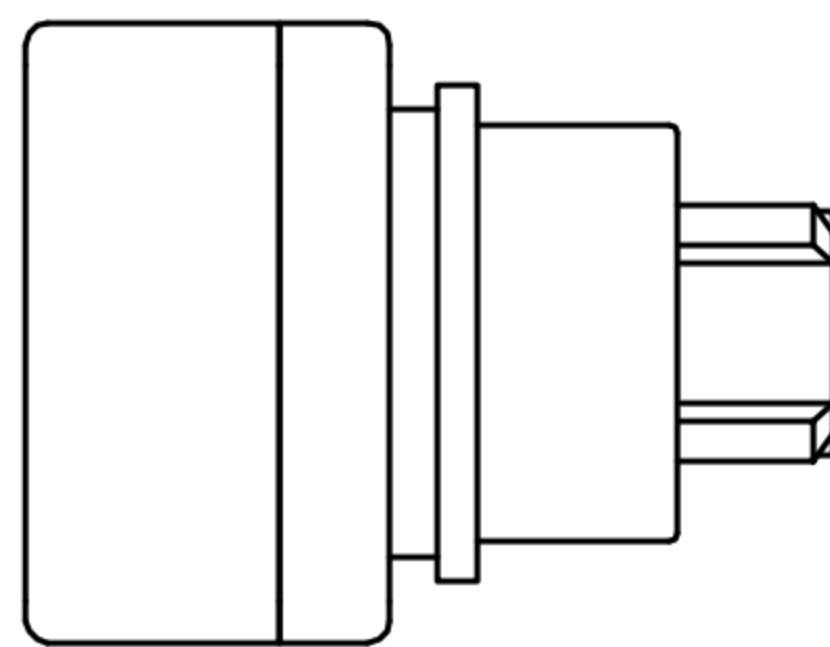
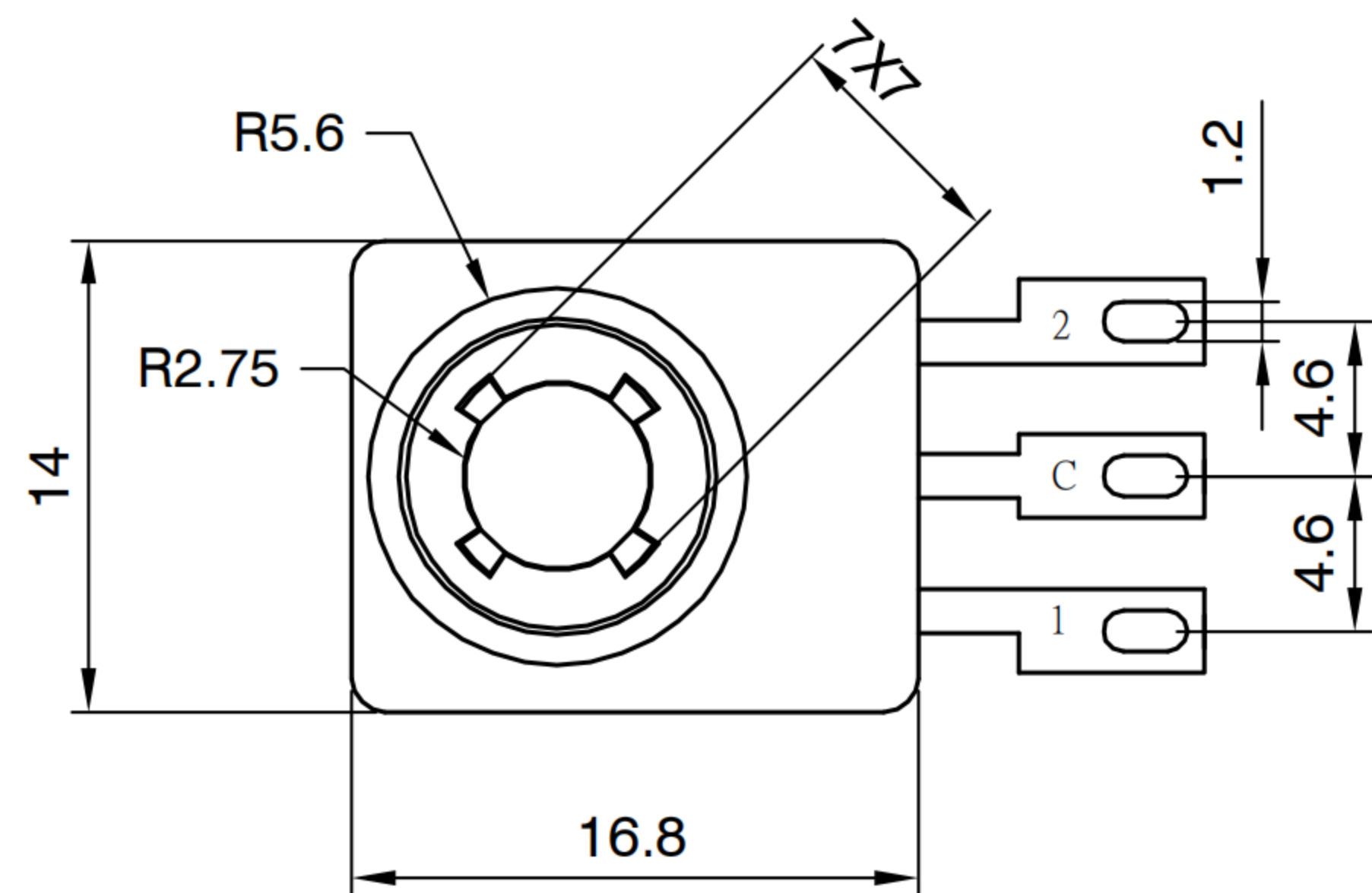
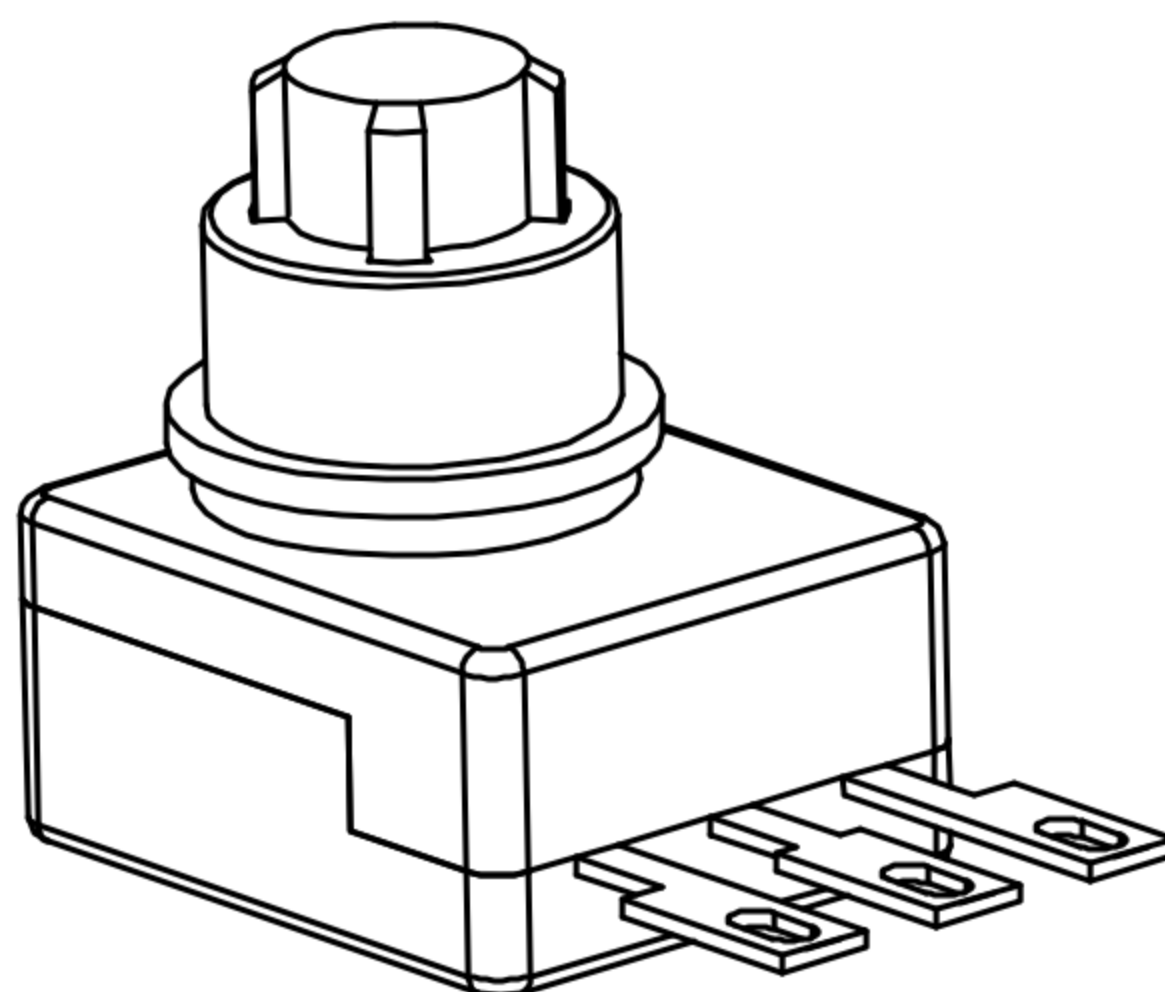
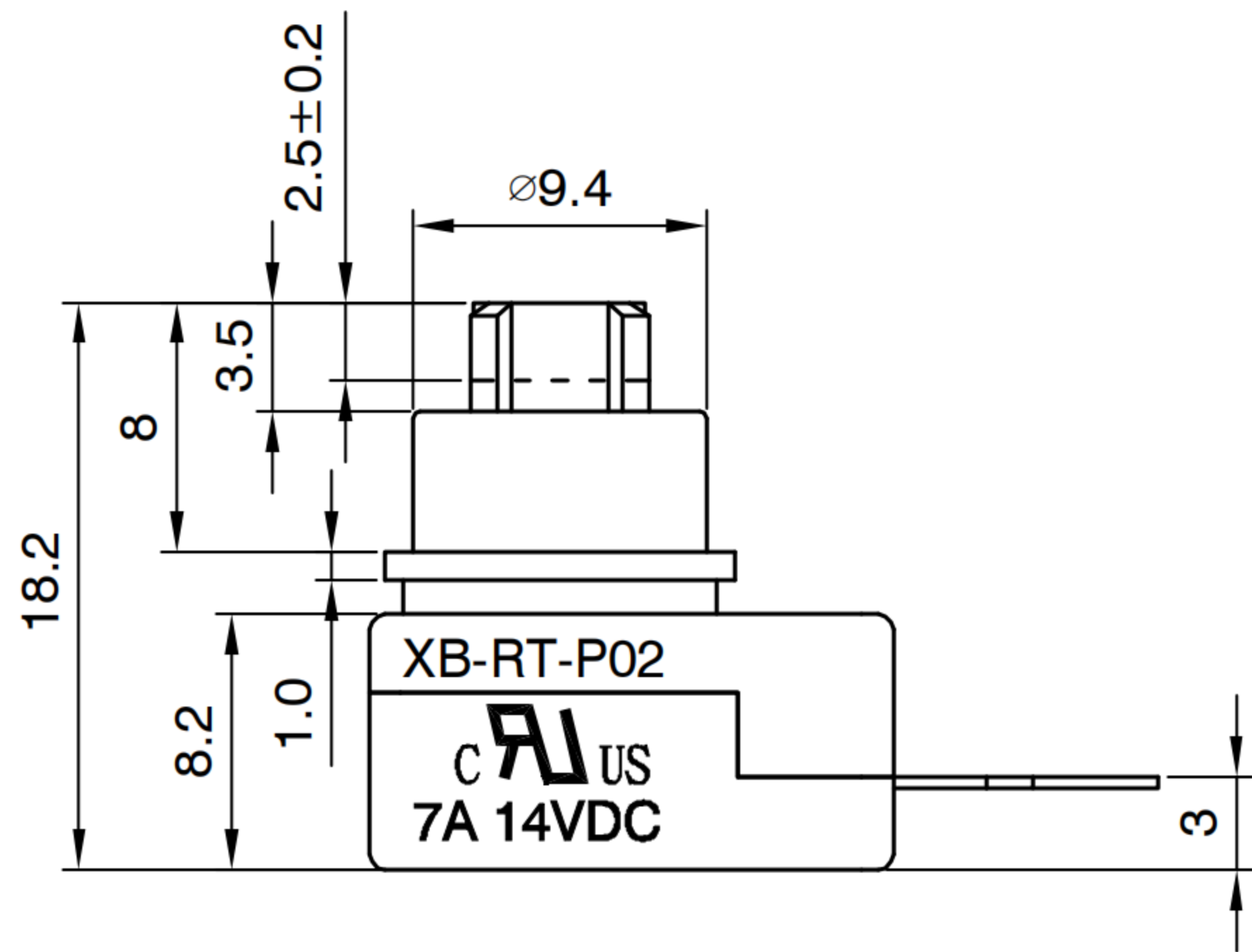


CAD FILE:

**ROHS**



**SPECIFICATIONS:**

RATING: 7A 14VDC

CONTACT RESISTANCE: 50m Ω (Max)

INSULATION RESISTANCE: DC500V 1 MINUTE

OPERATING FORCE: 600±200g

LIFE CYCLE: 10,000CYCLES

The circuit display sequential two sorts case when you press sequential the key.

<1.>ON 1 & C

<2.>ON C & 2

8					TOLERANCE					
7					UNLESS SPECIFIED					
6					WITHIN 1.5mm : ±0.1mm	A	2012-9-25	初版		ZENQ. CHEN
5					OVER 1.5mm : ±0.2mm	ISSUE	DATE	DESCRIPTIONS OF REVISION		APPD.
4	CONTACT	SUS	1	Ag CLAD	TITLE : Push Switch			UNIT : mm	DRWG NO.: XB-RT-P02-2	
3	CASE	PPA/BRASS SRTIP	1	BLACK/Ag PLATED	MODEL: XB-RT-P02-2			SCALE: 5:1	DWN.	JUN. YANG 2012-9-25
2	COVER	STEEL STRIP	1	Ni PLATED	<b>东莞市溪榜电子有限公司</b> DONG GUAN XI BANG ELECTRONICS CO., LTD.			CHK'D	DONG. PANG	2012-9-25
1	KNOB	PPA	1	BLACK				APPD.	ZENQ. CHEN	2012-9-25
NO.	PARTS	MATERIALS	Q'TY	FINISH						