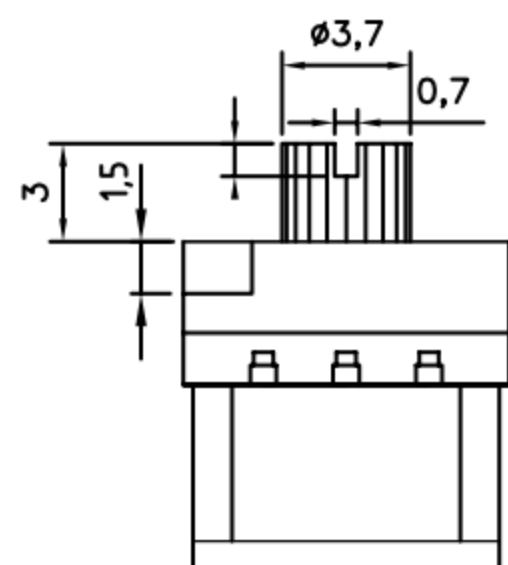
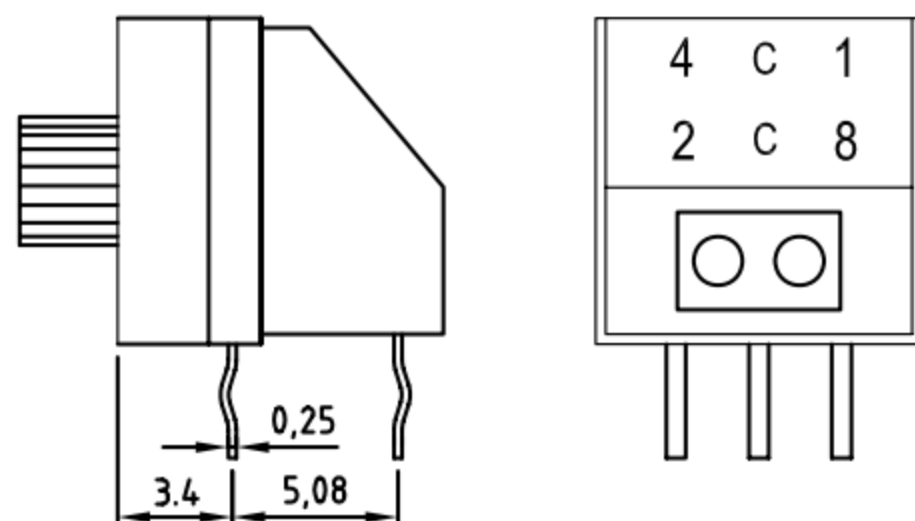
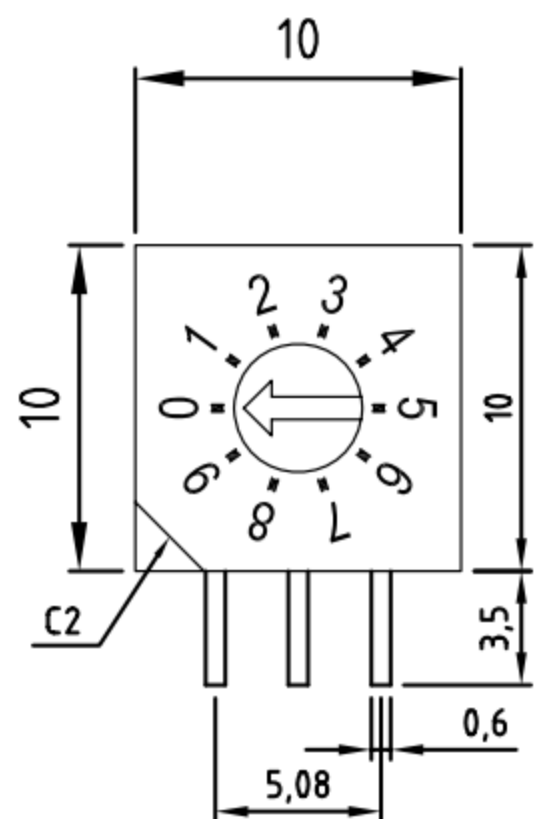
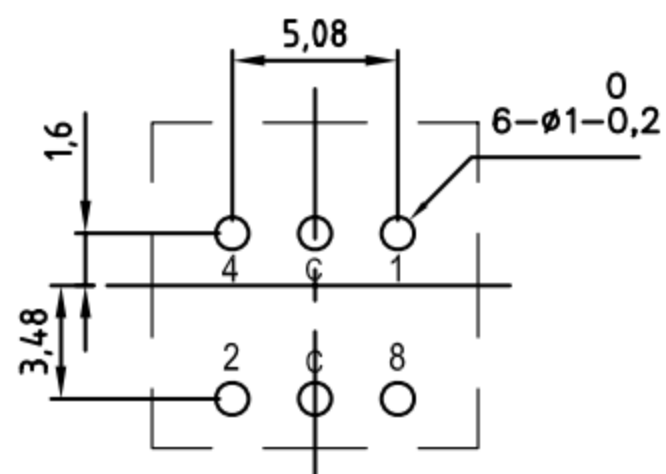


CAD FILE:

ROHS



P.C.B. LAYOUT



RR31003

1 ELECTRICAL

| | |
|-----------------------|---------------------------|
| Contact rating | |
| switching | 25mA, 24 VDC |
| non-switching | 100mA |
| Contact resistance | 100mΩ Max |
| Insulation resistance | 1000mΩ Min.at 100 VDC |
| Dielectric strength | 250VAC Min.for 60 seconds |

2 MECHANICAL AND ENVIRONMENTAL

| | |
|------------------------------|--|
| Temperature rating | |
| operating | -25℃to +70℃ |
| storage | -40℃ to + 85℃ |
| Operation force | 500gf-cm Max |
| Mechanical life | 2000 steps per position |
| Vibration | 10Hz-50Hz-10Hz for 6 Hrs. |
| Solderability | After flux 230℃±5 for 5± 0.5 seconds 95%coverage |
| Resistance to soldering heat | 260±5℃ for 5±1 seconds |
| (for through hole type) | |

3 OUTPUT CODES

| PIN NO | POSITION | | | | | | | | | |
|--------|----------|---|---|---|---|---|---|---|---|---|
| | 0 | 1 | 2 | 3 | 4 | 5 | 6 | 7 | 8 | 9 |
| 1 | | ● | | ● | | ● | | ● | | ● |
| 2 | | | ● | ● | | | ● | ● | | |
| 4 | | | | | ● | ● | ● | ● | | |
| 8 | | | | | | | | | ● | ● |

| NO. | PARTS | MATERIALS | Q'TY | FINISH | TOLERANCE UNLESS SPECIFIED | | TITLE : Encoder Swith | | UNIT : mm | DRWG NO.: XB-RR31003 | | |
|-----|---------|-----------------|------|-----------------|--|-------|-----------------------|--------------------------|------------|----------------------|-----------|--|
| 8 | | | | | WITHIN 1.5mm : ±0.1mm | A | 2012-9-25 | 初版 | | ZENQ. CHEN | | |
| 7 | | | | | OVER 1.5mm : ±0.2mm | ISSUE | DATE | DESCRIPTIONS OF REVISION | | APPD. | | |
| 4 | CONTACT | SUS | 1 | Ag CLAD | MODEL: | | | SCALE: 5:1 | DWN. | JUN. YANG | 2012-9-25 | |
| 3 | CASE | PPA/BRASS SRTIP | 1 | BLACK/Ag PLATED | 东莞市溪榜电子有限公司 DONG GUAN XI BANG ELECTRONI CS CO., LTD. | | | CHK'D | DONG. PANG | 2012-9-25 | | |
| 2 | COVER | STEEL STRIP | 1 | Ni PLATED | | | | APPD. | ZENQ. CHEN | 2012-9-25 | | |
| 1 | KNOB | PPA | 1 | BLACK | | | | | | | | |