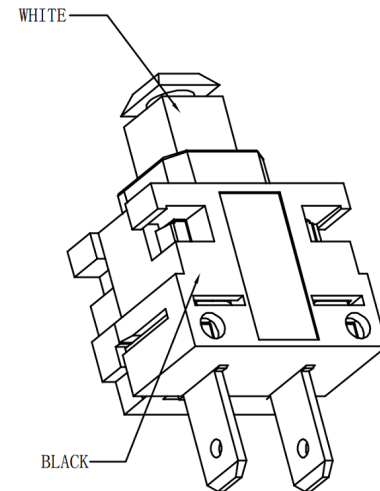
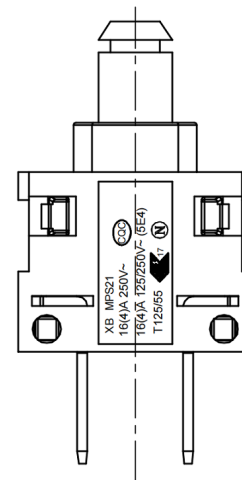
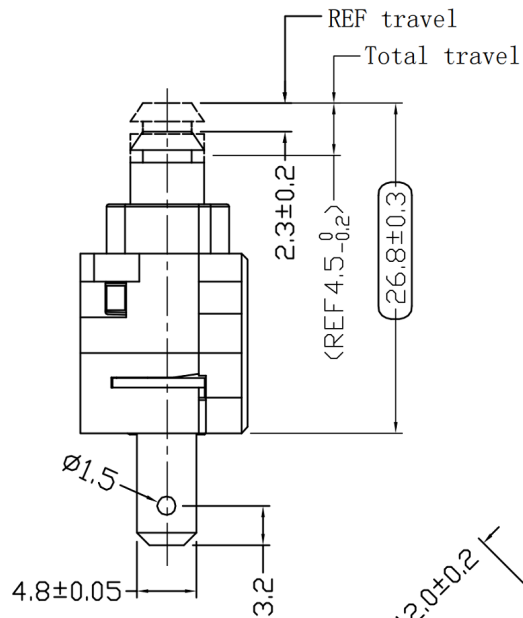
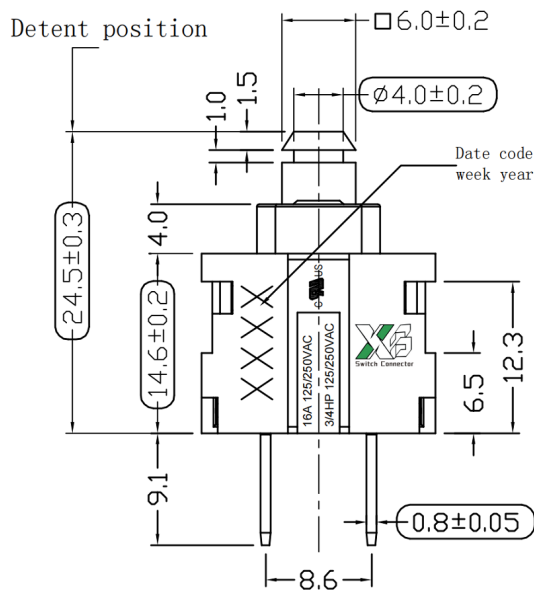


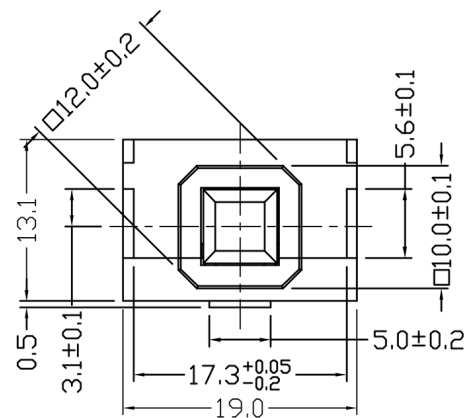
CAD FILE:

ROHS

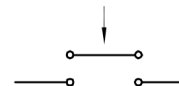



NOTES :

1. Circuit : ON/OFF
2. Operation force : 800±300gf
3. Rating : 16A 125/250VAC 3/4HP 125/250VAC(CUL)
16(4)A 125/250V~ T125/55 5E4 (ENEC17;NEMKO;CB)
16(4)A 250~ T125/55 1E4 (CQC)
4. Contact resistance : <math>< 30\text{m}\Omega</math>
5. Insulation resistance : >100M Ω (500VDC between open contacts)
6. Dielectric strength : >1500Vac 0.5mA 1 minute
7. Actuator color : WHITE
Housing color : BLACK



CIRCUIT DIAGRAM:



NO.	PARTS	MATERIALS	Q'TY	FINISH	TOLERANCE UNLESS SPECIFIED					
8										
7										
6					WITHIN 1.5mm : ±0.1mm	A	2012-9-25	初版	ZENQ. CHEN	
5					OVER 1.5mm : ±0.2mm	ISSUE	DATE	DESCRIPTIONS OF REVISION	APPD.	
4	CONTACT	SUS	1	Ag CLAD	TITLE : Push Switch				UNIT : mm	
3	CASE	PPA/BRASS SRTIP	1	BLACK/Ag PLATED	MODEL: XB-MPS21-WBBDD-R				DRWG NO.:	
2	COVER	STEEL STRIP	1	Ni PLATED	SCALE: 5:1	DWN.	JUN. YANG	2012-9-25		
1	KNOB	PPA	1	BLACK	 东莞市溪榜电子有限公司 DONG GUAN XI BANG ELECTRONI CS CO., LTD.				CHK'D DONG. PANG	2012-9-25
						APPD.	ZENQ. CHEN	2012-9-25		