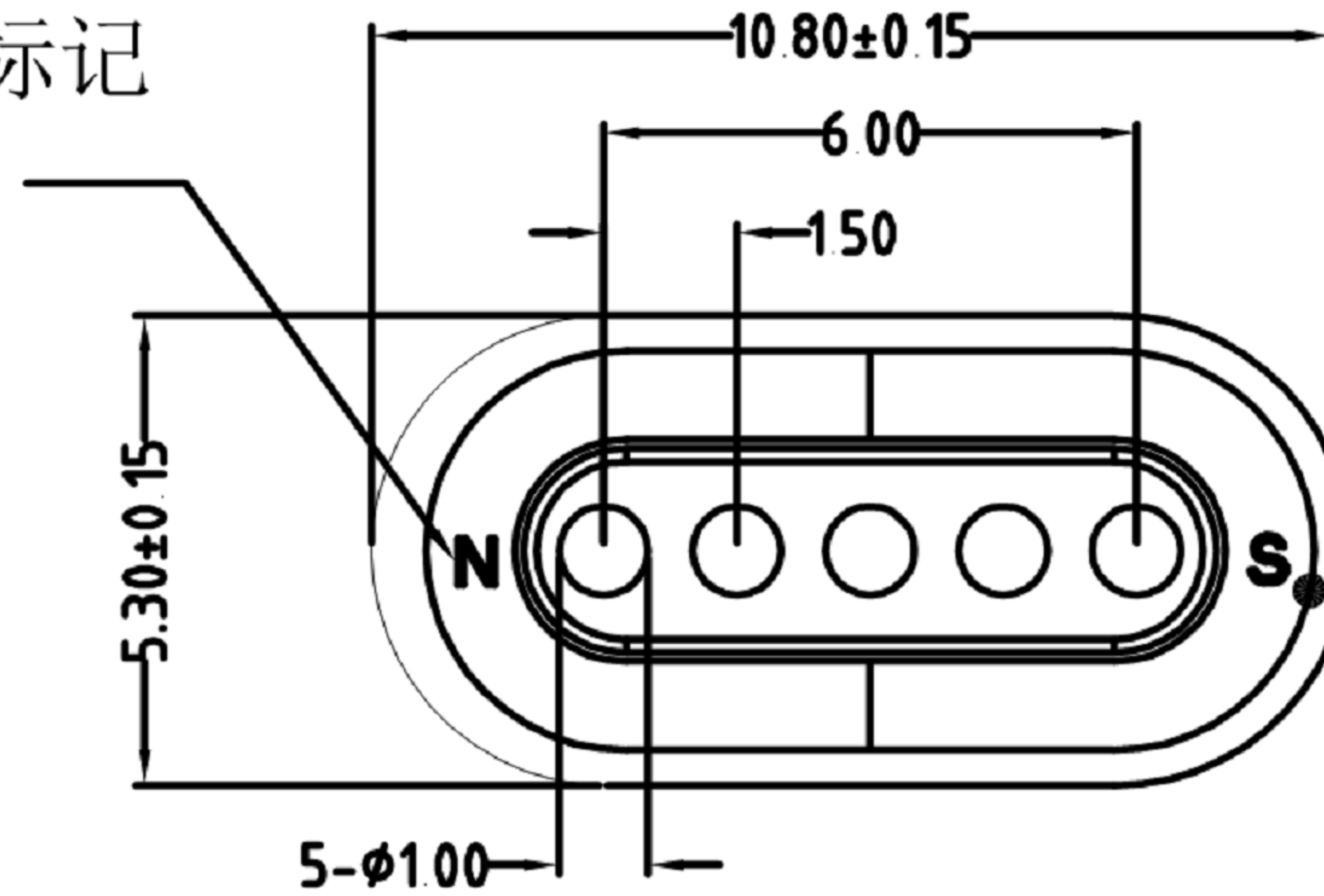
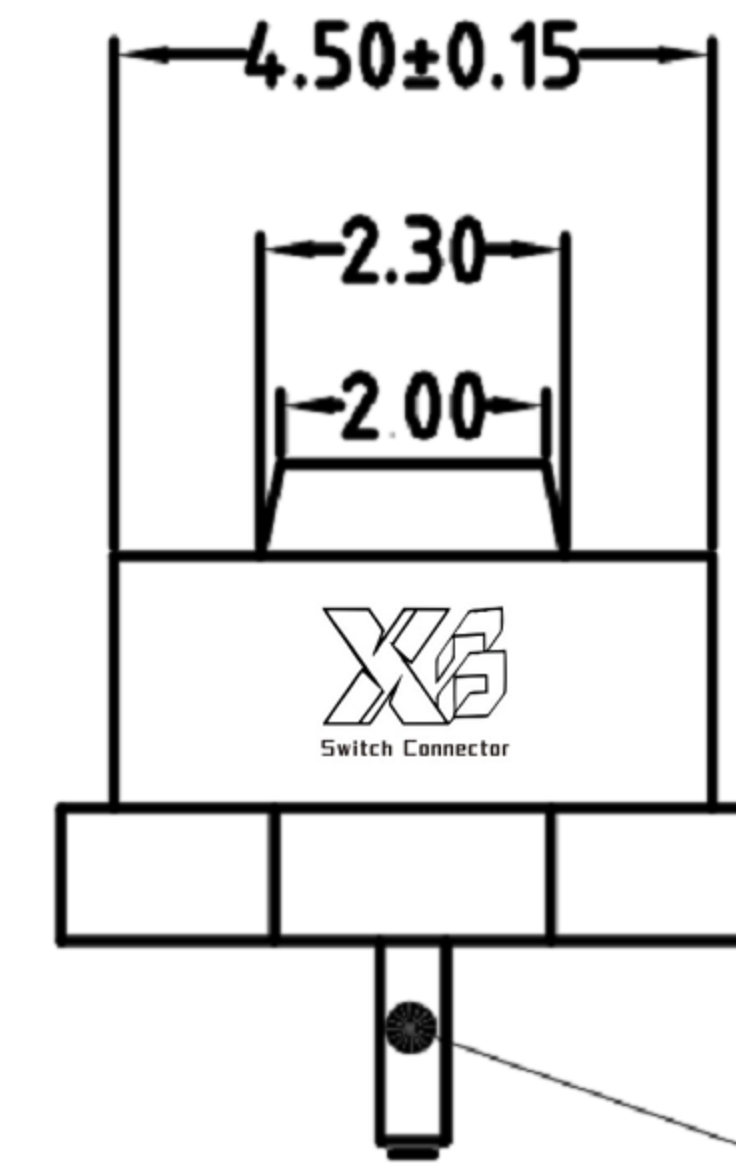


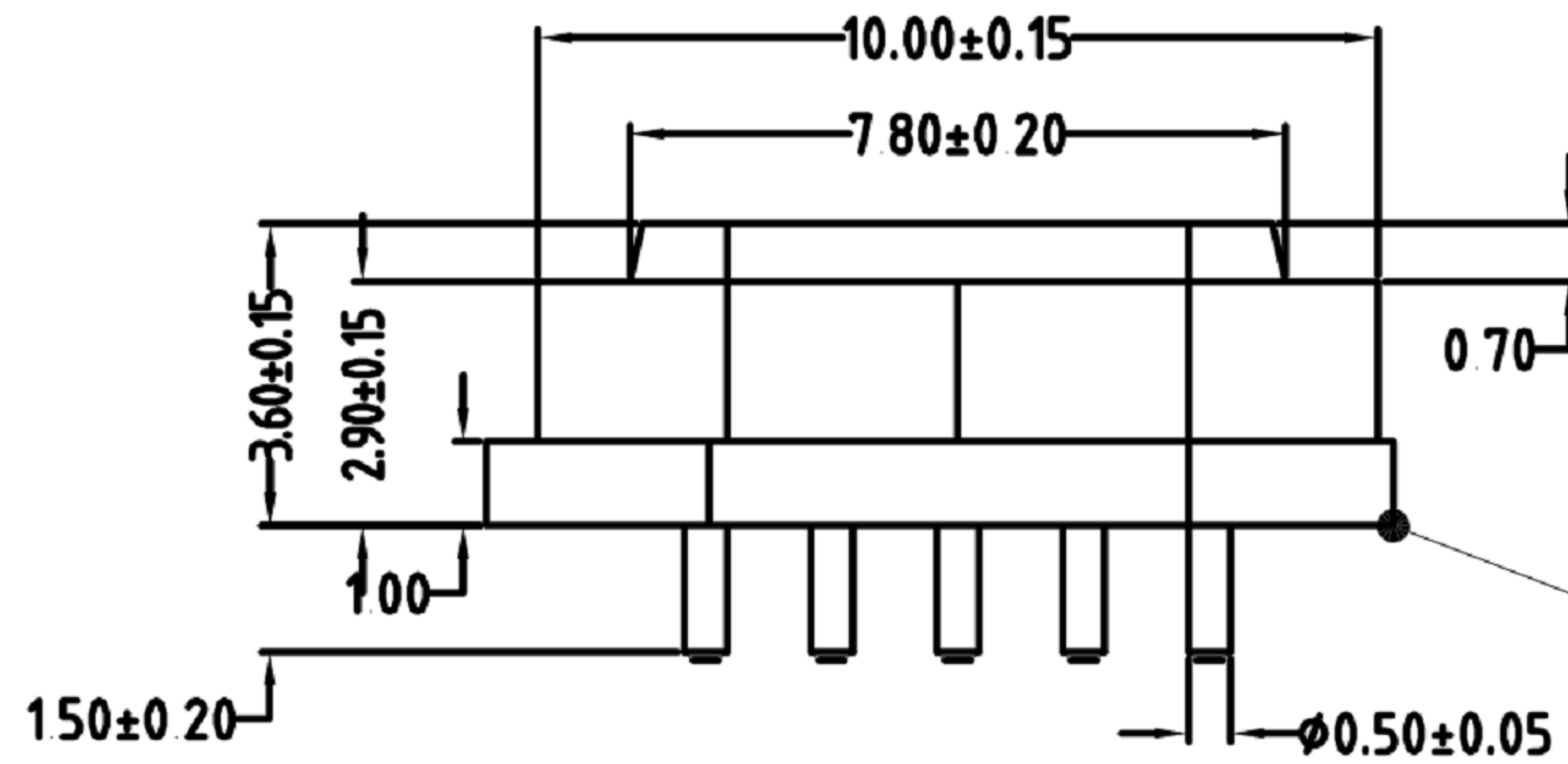
N极红色标记



磁铁



Pin针



塑胶

NOTE

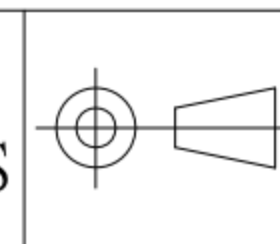
1. Material
Plunger: Brass
Barrel: Brass
Spring: SUS
Housing: PA46
2. Plating
Plunger: Au over NI
Barrel: Au over NI
3. Electrical
Rated current & voltage: DC 12V; 2.0A Max.
4. Mechanical
Spring force: $60g \pm 20\%$ at normal working height
Durability: 10,000 cycles (minimum)
5. To ensure the best usage, please operate it based on the working height. Based on the engineering drawings, shall not exceed the maximum allowed compression.
6. To avoid arcing issue, The adaptor start to power supply after connector mated fully.



东莞市溪榜电子有限公司
DONG GUAN XI BANG ELECTRONICS CO., LTD.

TOLERANCE UNLESS OTHERWISE STATED:
Up to 5 ± 0.2
Above 5 ~ 15 ± 0.3
Above 15 ~ 30 ± 0.4
Above 30 ~ 50 ± 0.5
Angle $\pm 0.3^\circ$

3RD. ANGEL'S



UNITS MM

DRAWN BY: Jack Lu
DATE: 04/01/21
CHECKED BY: Jacky Chen
DATE: 04/01/21
APPROVED BY: Tony Kao
DATE: 04/01/21

| | | | |
|-----------|--------|----------|--------------------|
| MAT'L | | TITLE | CONNECTOR |
| FINISH | | MODLE | POGO PIN |
| SCALE | 1:1 | DWG NO. | XB-PGC-CT-M-500A-M |
| SHEET NO. | 1 of 1 | PART NO. | Magnetic PoGo Pin |

SIZE A4
VER R

ITEM NO. DESCRIPTION DRAWN DATE

A B C D E F G H I J