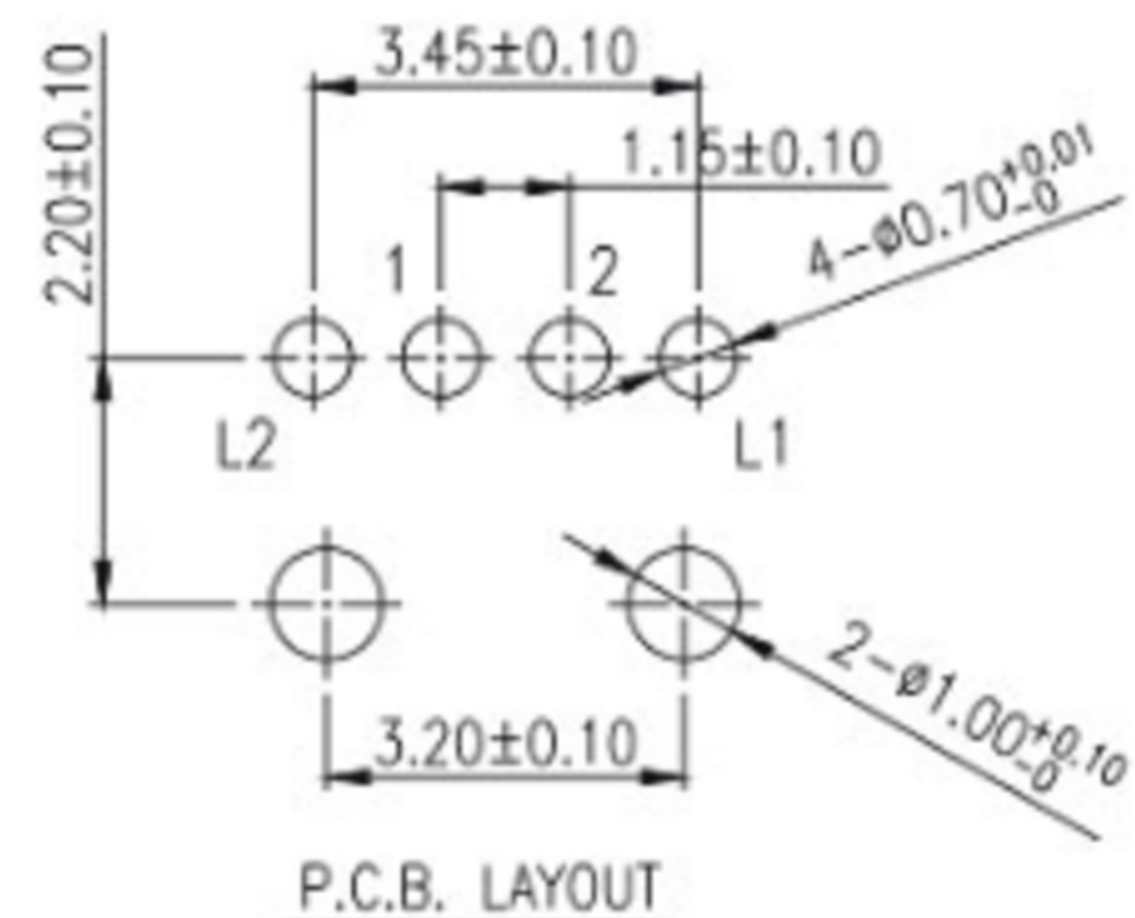
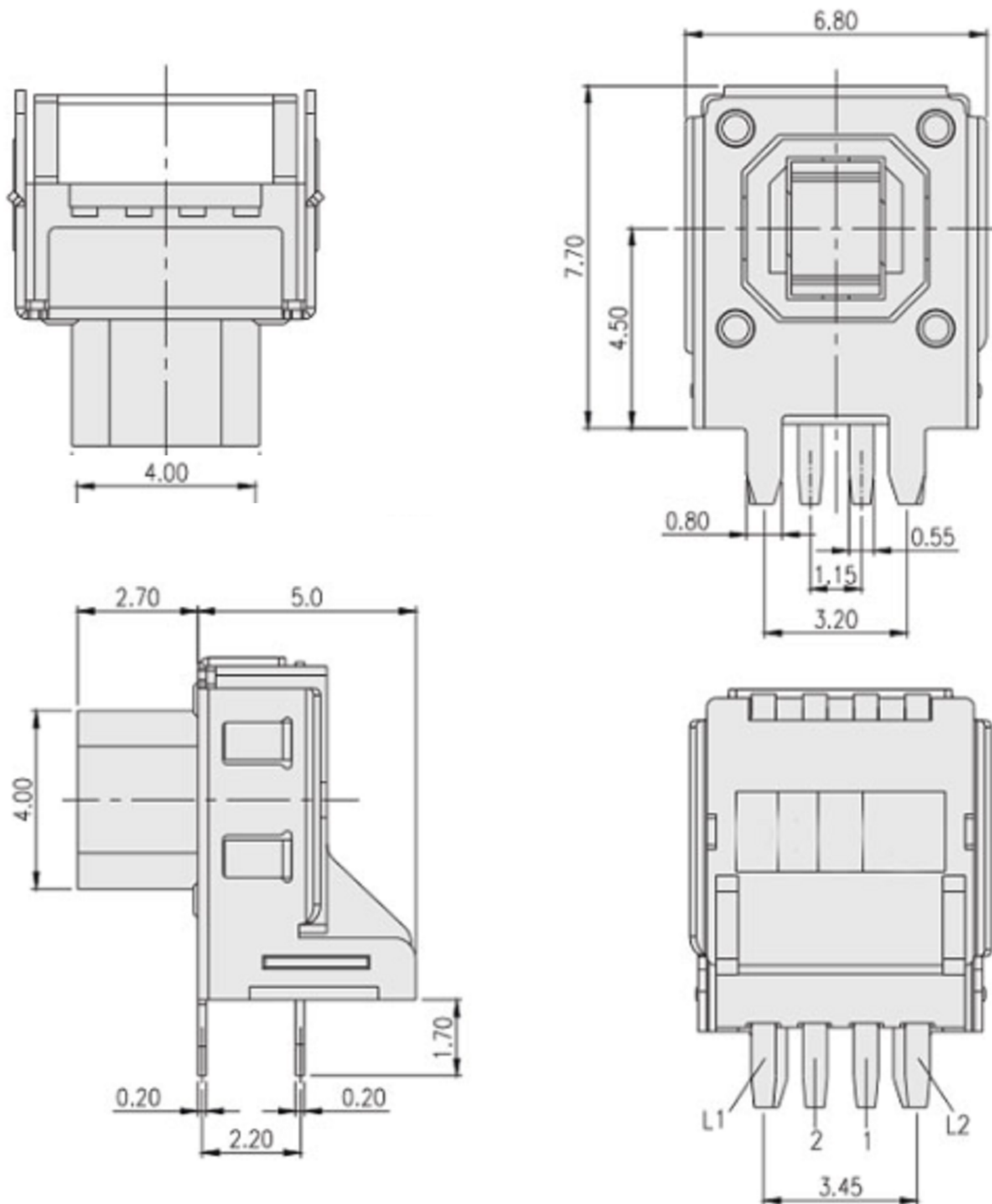


CAD FILE:

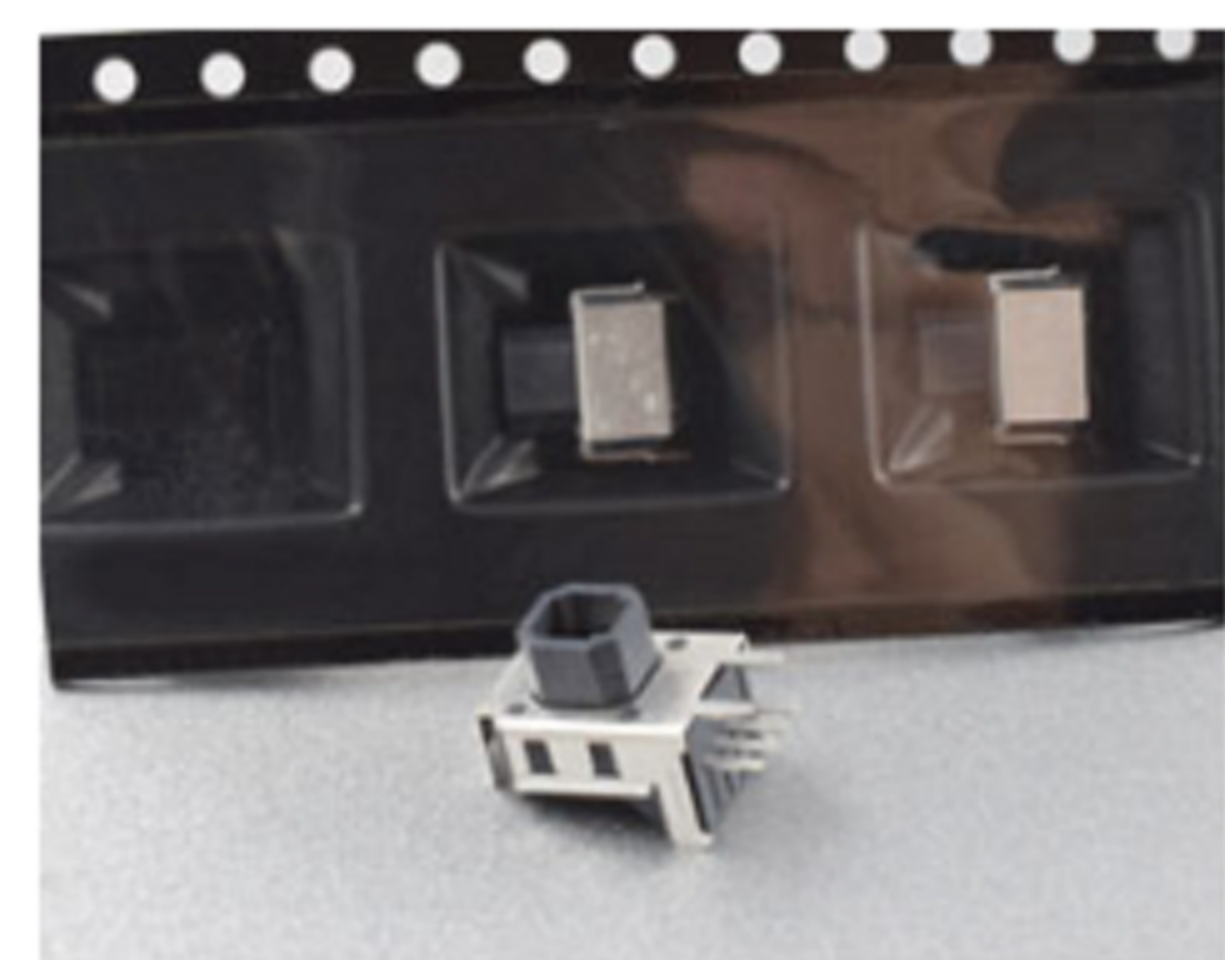
**ROHS**



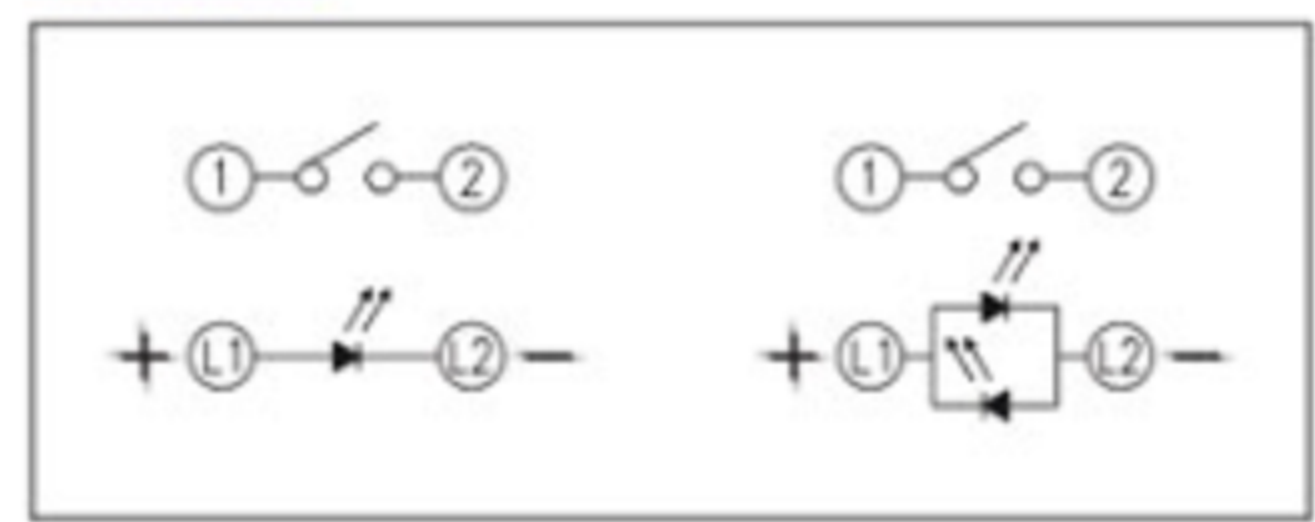
P.C.B. LAYOUT

**PACKAGE**

<Tray>  
200 pcs.  
<Tape & Reel>  
350 pcs.



**CIRCUIT**




**产品规格:**

Contact Rating: 50mA, 12V DC  
Contact Resistance: 100mΩ max.  
Insulation Resistance: 100MΩ min. 100V DC  
Dielectric Strength: 250V AC/1 minute  
Operating Force: 220±50gf  
Travel: 0.25mm  
Operating Life: 100,000 cycles  
Operating Temp: -25°C ~ +70°C  
Storage Temp: -30°C ~ +80°C

**应用领域:**

Audio / Visual 音响/视听设备  
Computer Peripherals 电脑外设  
Consumer Electronics 消费类电子  
Instrumentation 仪器仪表  
Telecommunication 电信, 通信设备  
Medical Equipmen 医疗设备

8					TOLERANCE				
7					UNLESS SPECIFIED				
6					WITHIN 1.5mm : ±0.1mm	A	2012-9-25	初版	ZENQ. CHEN
5					OVER 1.5mm : ±0.2mm	ISSUE	DATE	DESCRIPTIONS OF REVISION	APPD.
4	CONTACT	SUS	1	Ag CLAD	TITLE : Light Touch Switch			UNIT : mm	DRWG NO.: XB-TS-LED-1RL-51
3	CASE	PPA/BRASS SRTIP	1	BLACK/Ag PLATED	MODEL: XB-TS-LED-1RL-51			SCALE: 5:1	DWN. JUN. YANG 2012-9-25
2	COVER	STEEL STRIP	1	Ni PLATED	 <b>东莞市溪榜电子有限公司</b> DONG GUAN XI BANG ELECTRONICS CO., LTD.			CHK'D	DONG. PANG 2012-9-25
1	KNOB	PPA	1	BLACK				APPD.	ZENQ. CHEN 2012-9-25
NO.	PARTS	MATERIALS	Q'TY	FINISH					