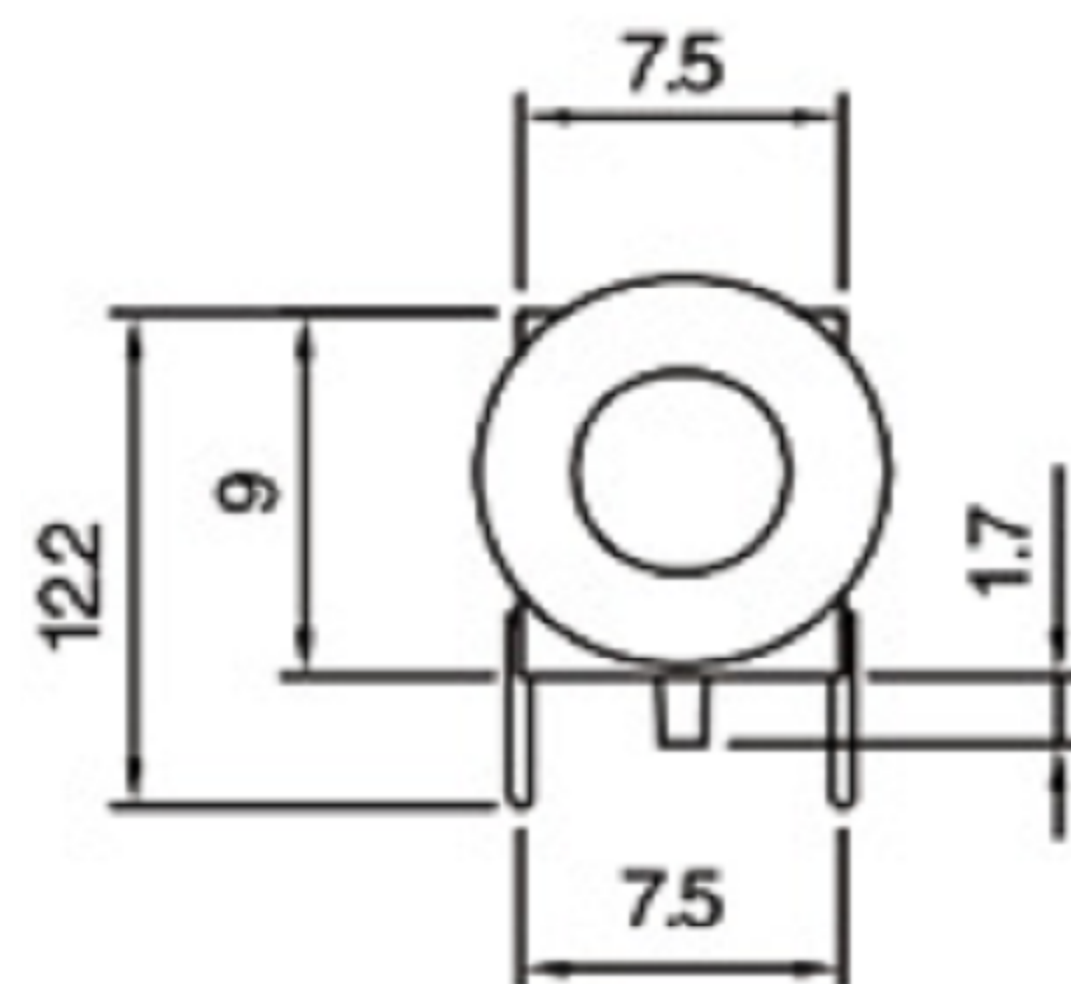
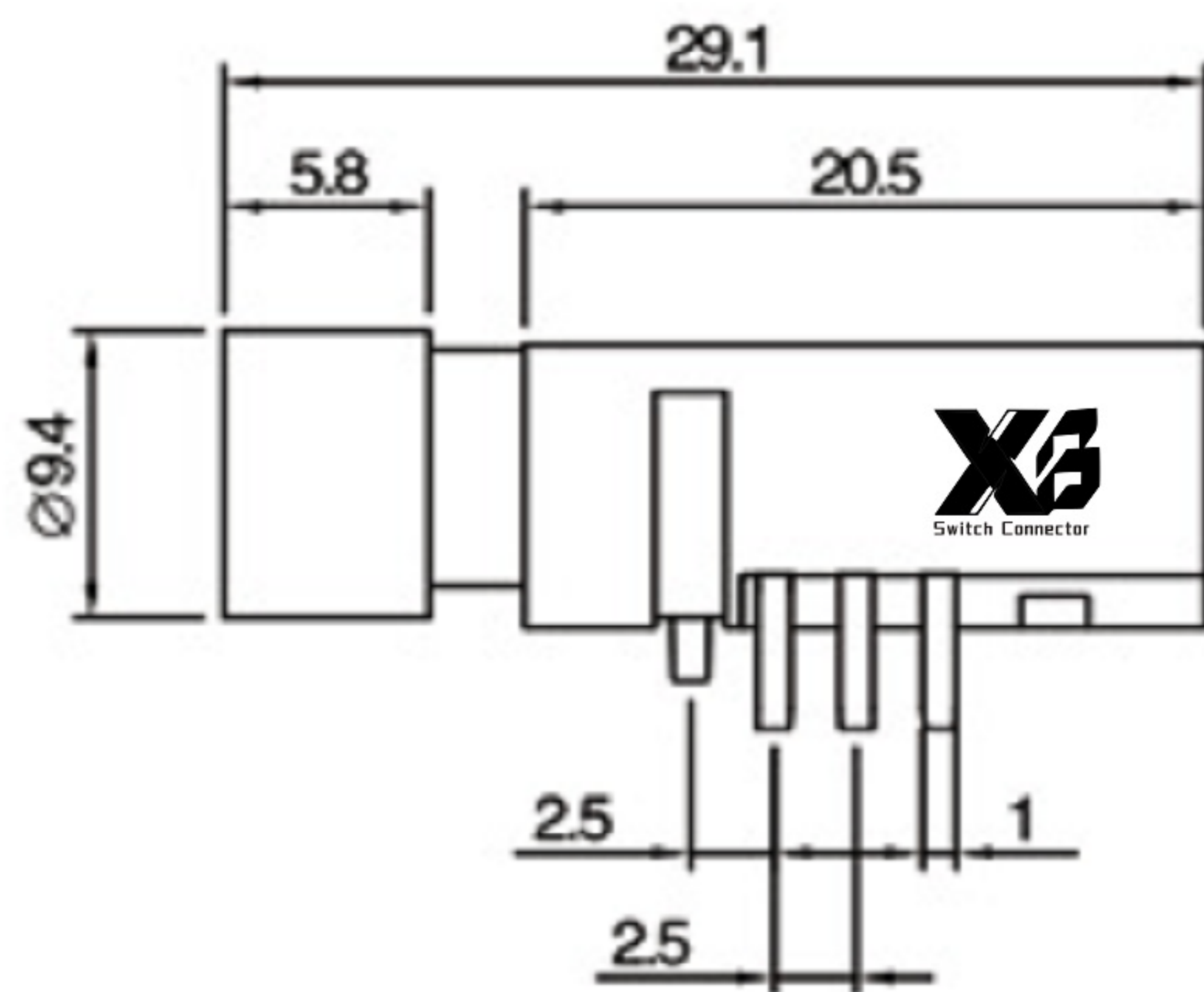
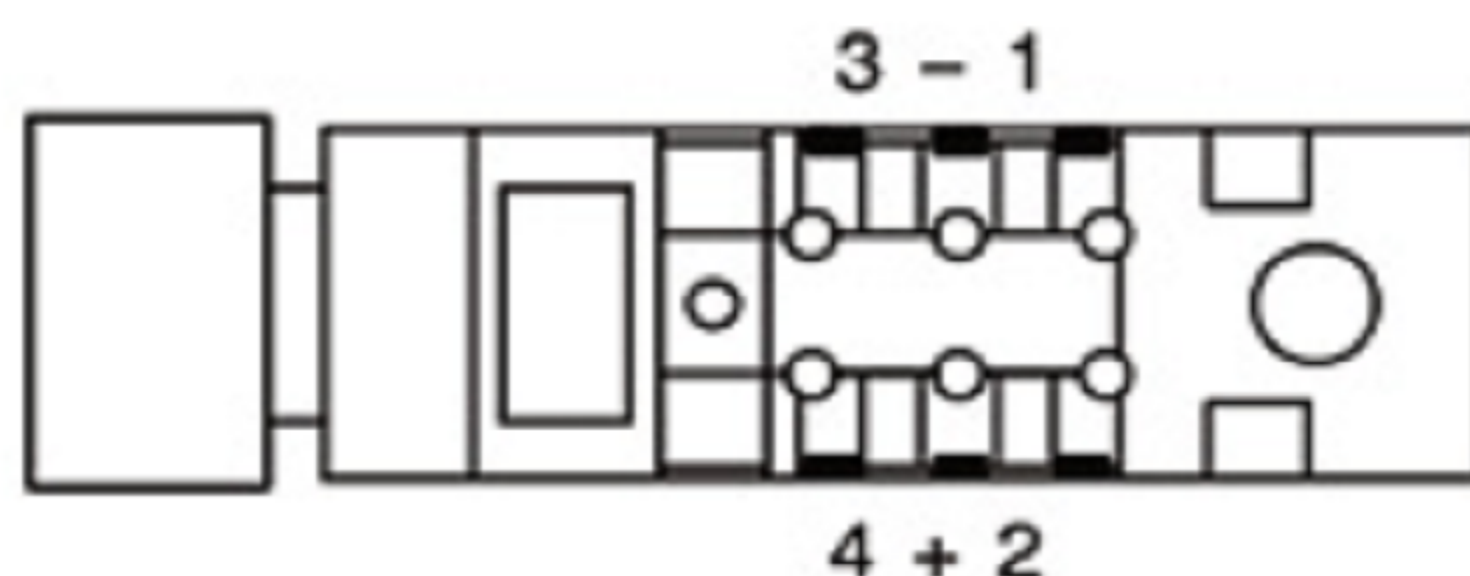
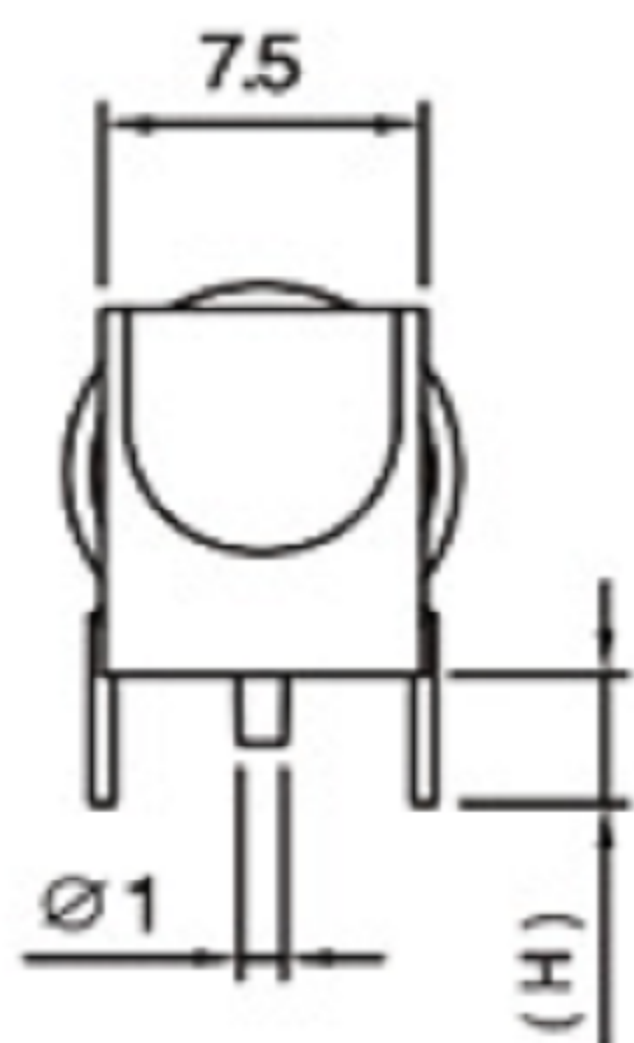
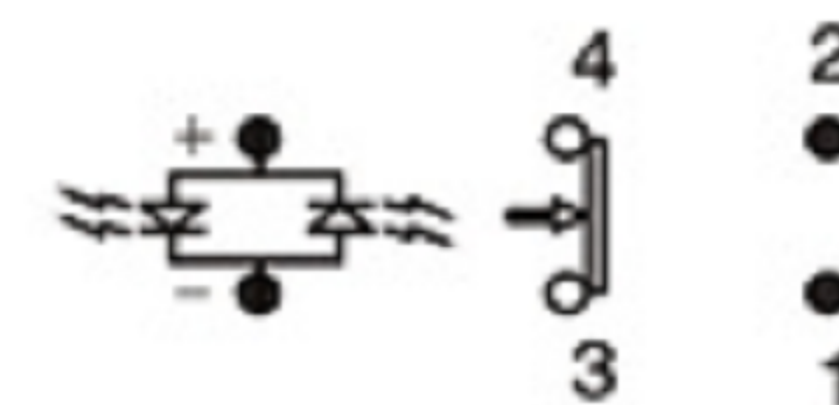
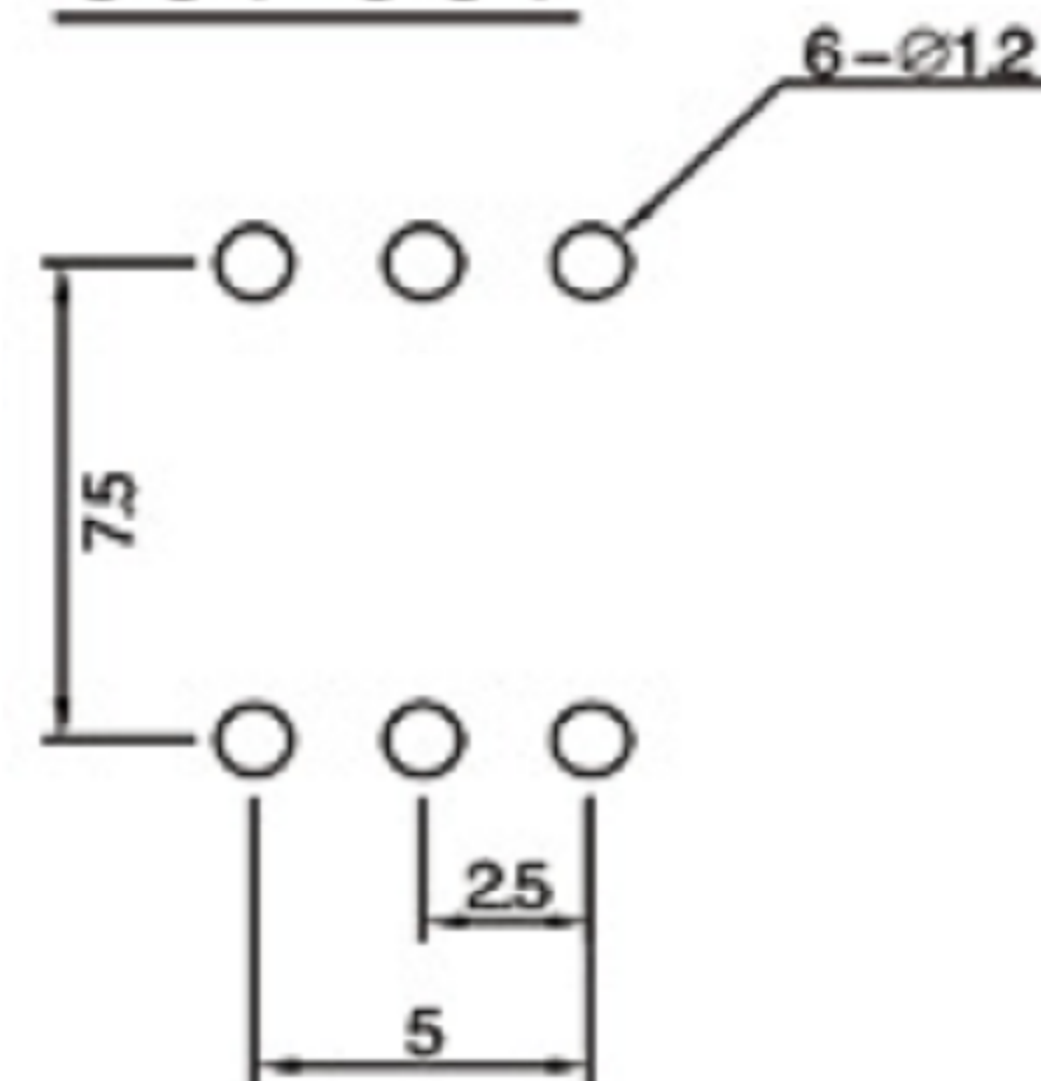


CAD FILE:

ROHS



CUT-OUT



产品规格:

Rating: 0.2A 36VDC

Contact Resistance: 50mQ Max.

Insulation Resistance: 100MQ Min.

Dielectric Strength: AC 500V 1 minute

Total travel: 1.8+0.3mm

Operating Force: 200+ 100gf

Mechanical Life: Over 30,000 cycles

Electrical Life: Over 10,000 cycles

Operating Temperature: -20°C~+85°C

Manual Welding: 350°C for 3 Seconds

Function: OFF - (ON)

8					TOLERANCE				
7					UNLESS SPECIFIED				
6					WITHIN 1.5mm : ±0.1mm	A	2012-9-25	初版	ZENQ. CHEN
5					OVER 1.5mm : ±0.2mm	ISSUE	DATE	DESCRIPTIONS OF REVISION	APPD.
4	CONTACT	SUS	1	Ag CLAD	TITLE : Button Switch With Light			UNIT : mm	DRWG NO. XB-LED-TB-11-2W
3	CASE	PPA/BRASS SRTIP	1	BLACK/Ag PLATED	MODEL:			SCALE: 5:1	DWN. JUN. YANG 2012-9-25
2	COVER	STEEL STRIP	1	Ni PLATED	东莞市溪榜电子有限公司 DONG GUAN XI BANG ELECTRONICS CO., LTD.			CHK'D	DONG. PANG 2012-9-25
1	KNOB	PPA	1	BLACK				APPD.	ZENQ. CHEN 2012-9-25
NO.	PARTS	MATERIALS	Q'TY	FINISH					