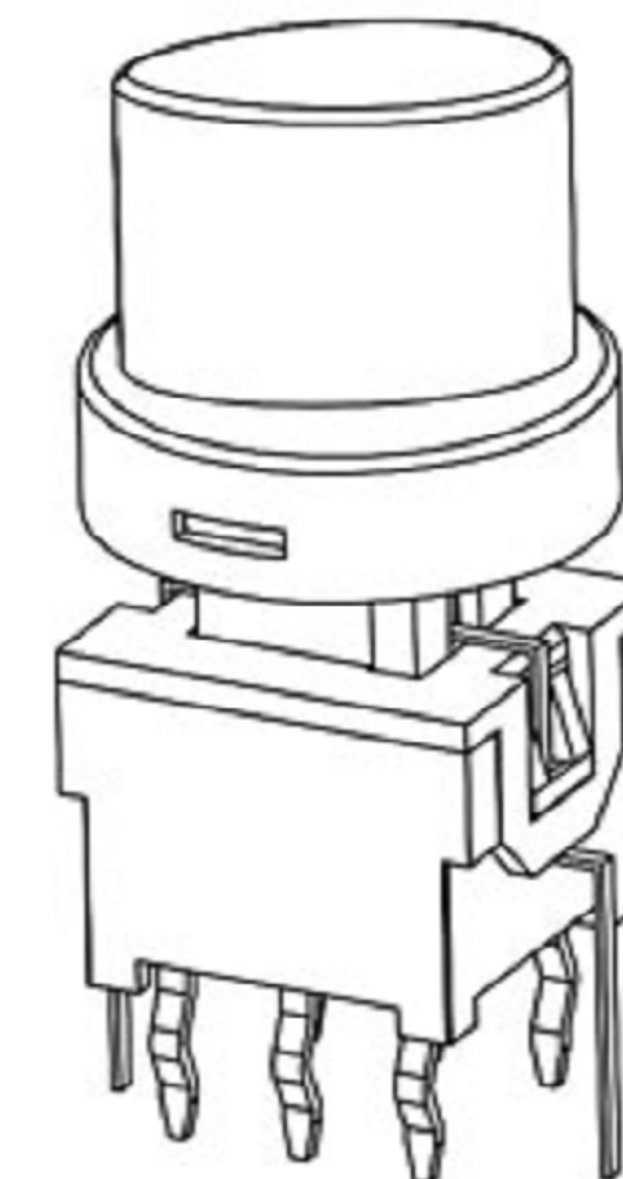
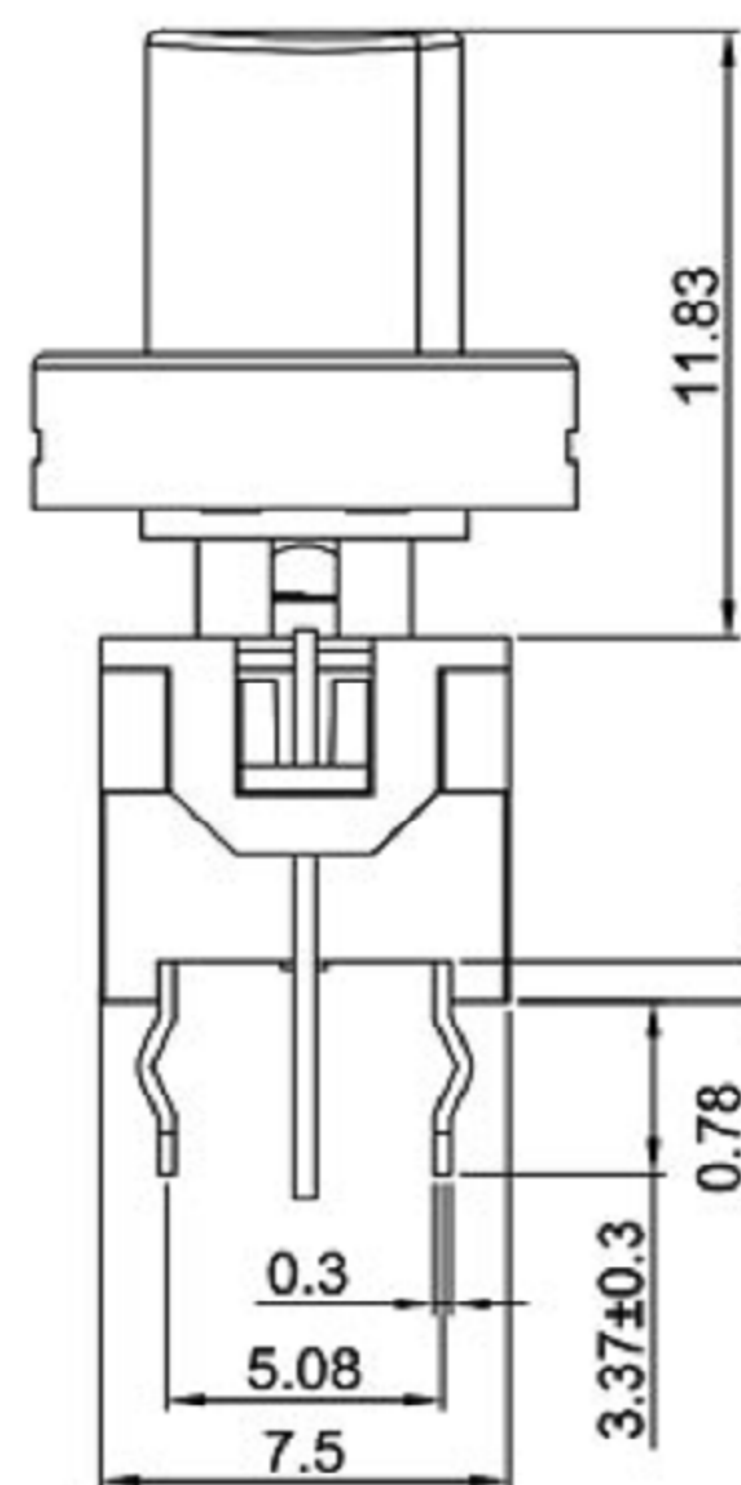
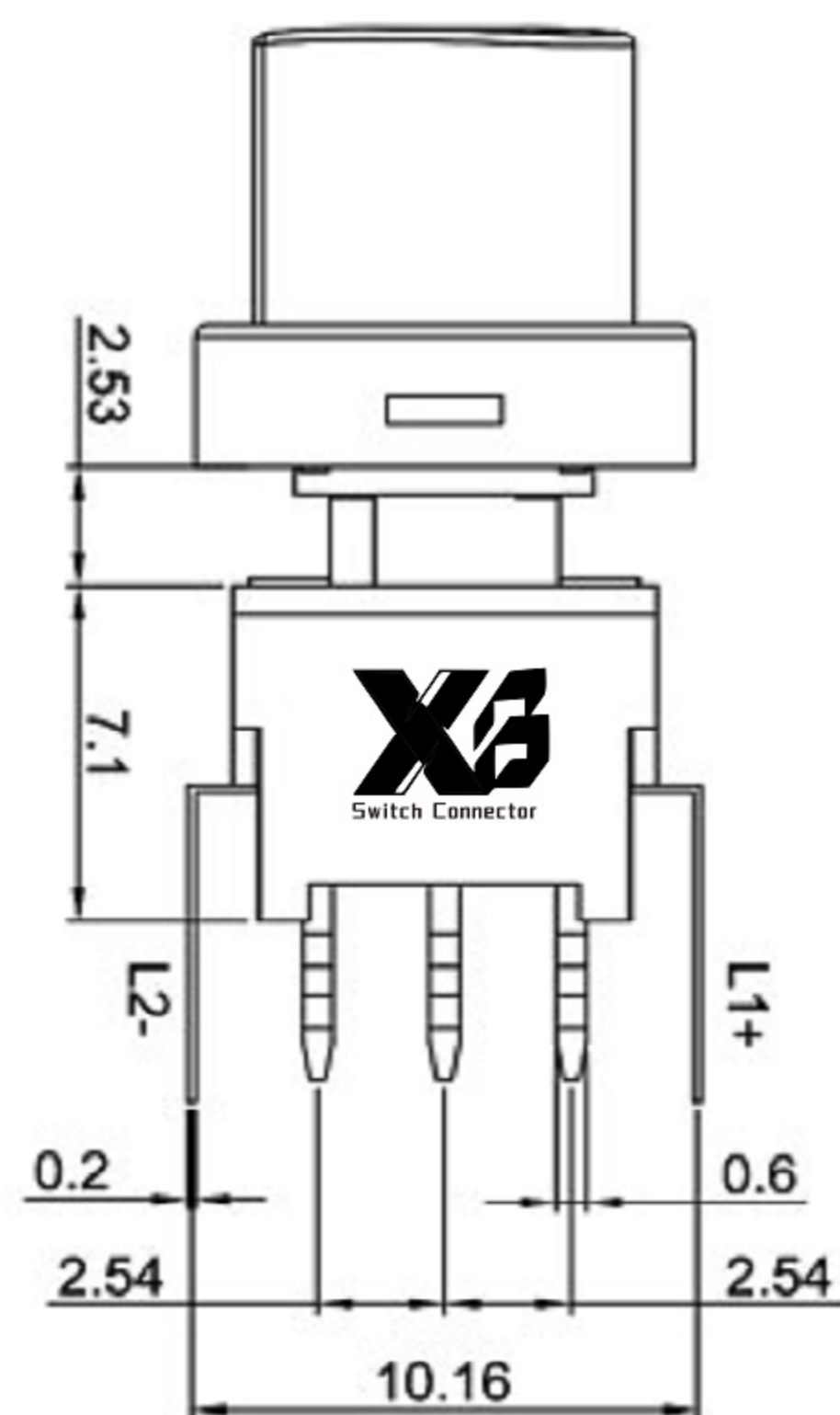
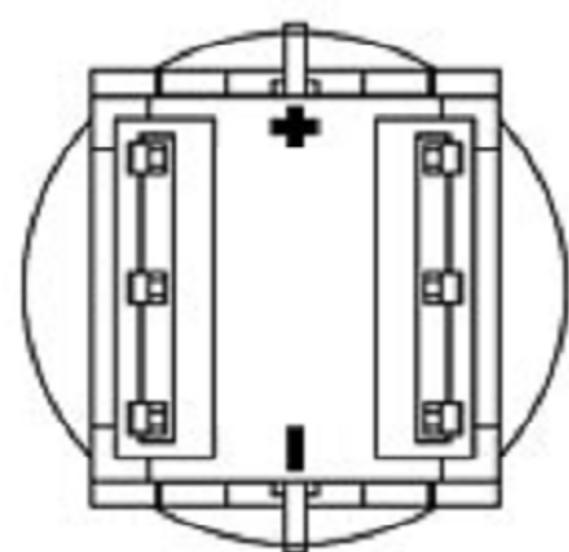
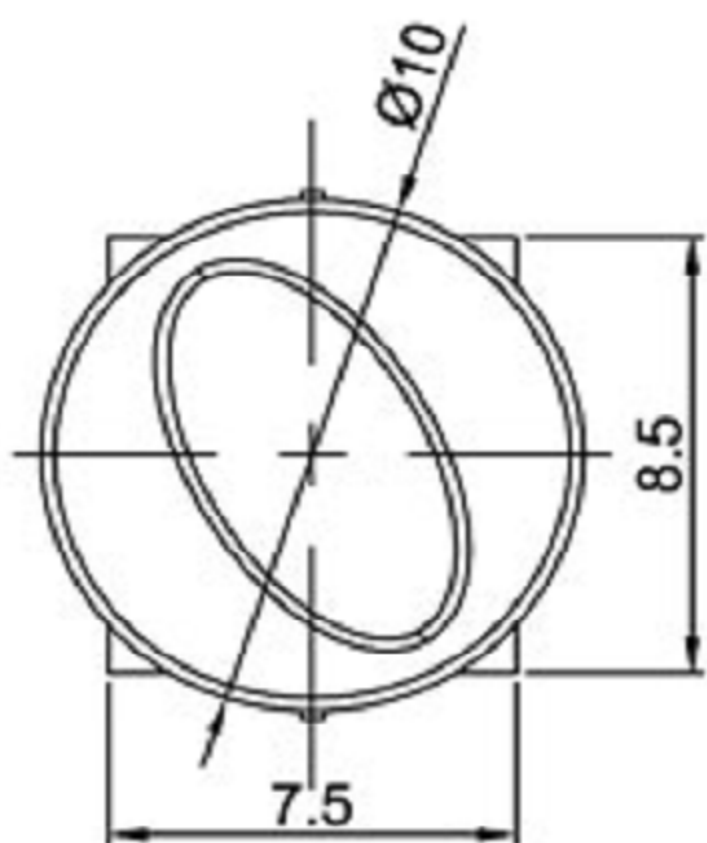


CAD FILE:

ROHS

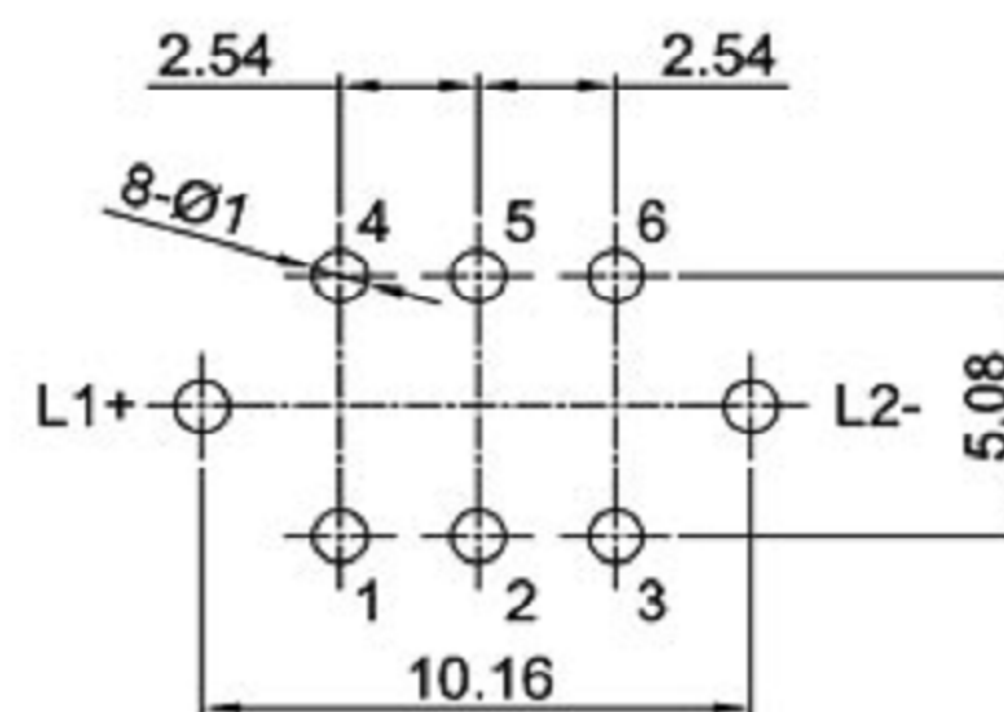


RG	Red	红色
	Green	翠绿色
G	Green	绿色
W	White	白色
U	Blue	蓝色
Y	Yellow	黄色
O	Orange	橙色
R	Red	红色
灯发光颜色 X Emitted color X		

CIRCUIT

Type	Switch Action		Circuit
Lock	Normal ON	Push to lock ON	
Connected Terminals	1 - 2 4 - 5	2 - 3 5 - 6	
No Lock	Normal ON	Push to lock ON	
Connected Terminals	1 - 2 4 - 5	2 - 3 5 - 6	
LED Circuit			

P.C.B. LAYOUT



带灯按键开关性能电气

Circuit: DPDT 2P2T

Current Rating: 0.3A 0.5A DC

Voltage Rating: 12V 30VDC

Dielectric withstanding voltage : 250VAC for 1 minute

Contact Resistance: 100mΩ Max. (initial)

Insulation Resistance: 100MΩ Min.

Operating Force: 250±100

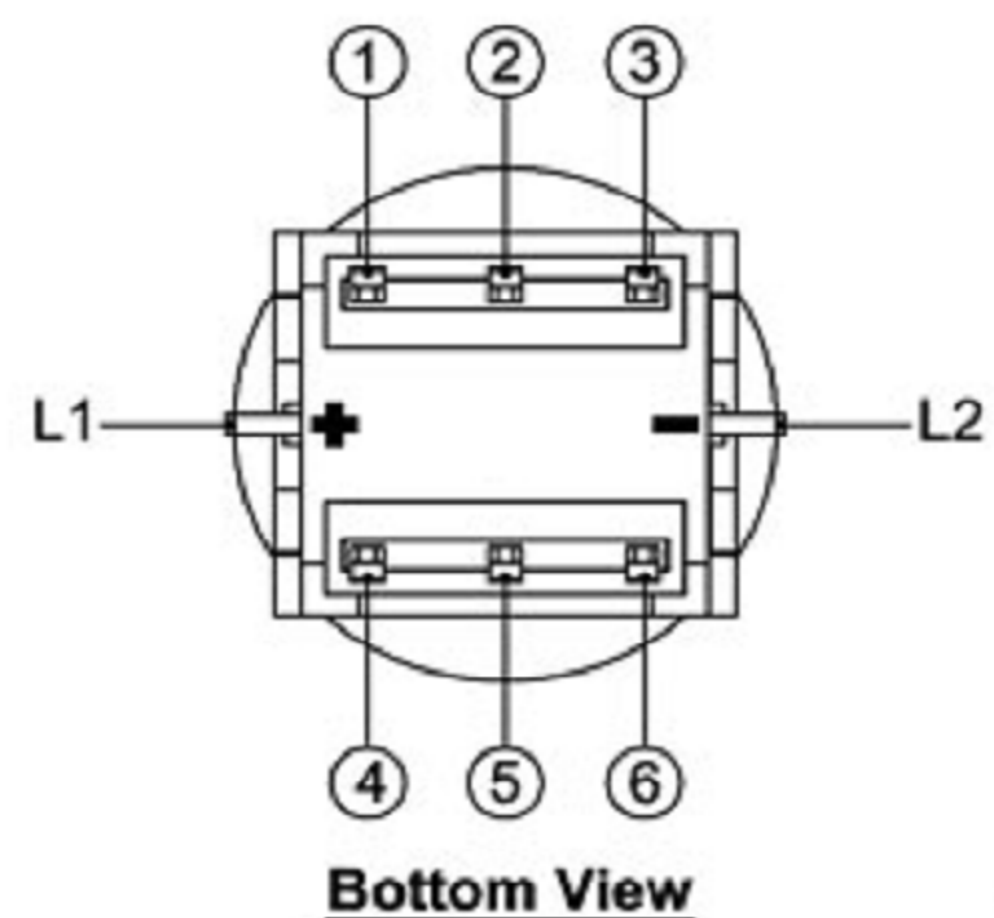
Total Travel: 2.5±0.2mm

Operating life: 10,000 Cycles Min

Solder Specifications: 260°C for 5 Seconds

Function: Momentary or self-lock

Operating Temperature: -20°C~+ 70°C



NO.	PARTS	MATERIALS	Q'TY	FINISH	TOLERANCE UNLESS SPECIFIED						
8					TOLERANCE UNLESS SPECIFIED						
7					TOLERANCE UNLESS SPECIFIED						
6					WITHIN 1.5mm : ±0.1mm	A	2012-9-25	初版		ZENQ. CHEN	
5					OVER 1.5mm : ±0.2mm	ISSUE	DATE	DESCRIPTIONS OF REVISION		APPD.	
4	CONTACT	SUS	1	Ag CLAD	TITLE : Button Switch With Light			UNIT : mm	DRWG NO.: XB-LED-TB-018Y		
3	CASE	PPA/BRASS SRTIP	1	BLACK/Ag PLATED	MODEL: XB-LED-TB-018Y			SCALE: 5:1	DWN.	JUN. YANG	2012-9-25
2	COVER	STEEL STRIP	1	Ni PLATED	东莞市溪榜电子有限公司 DONG GUAN XI BANG ELECTRONICS CO., LTD.			CHK'D	DONG. PANG	2012-9-25	
1	KNOB	PPA	1	BLACK				APPD.	ZENQ. CHEN	2012-9-25	