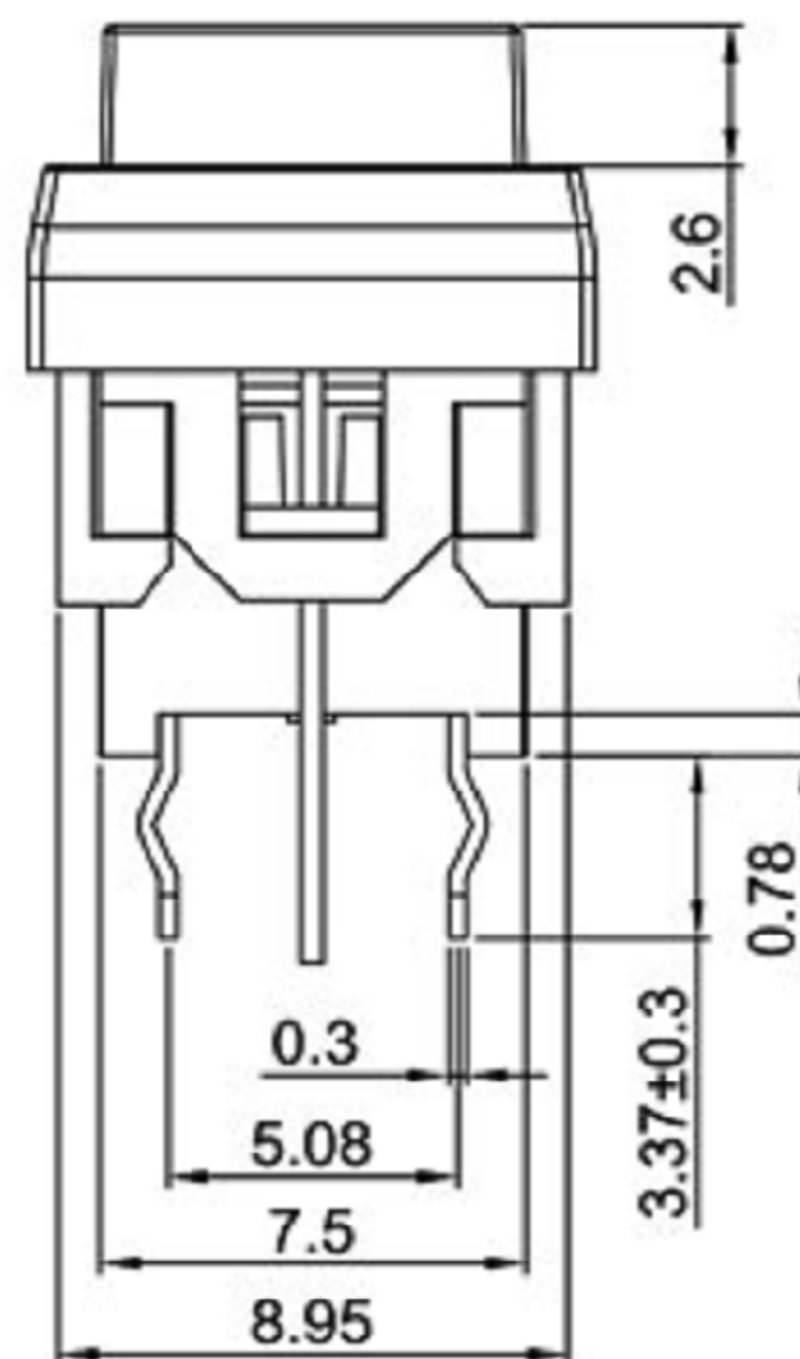
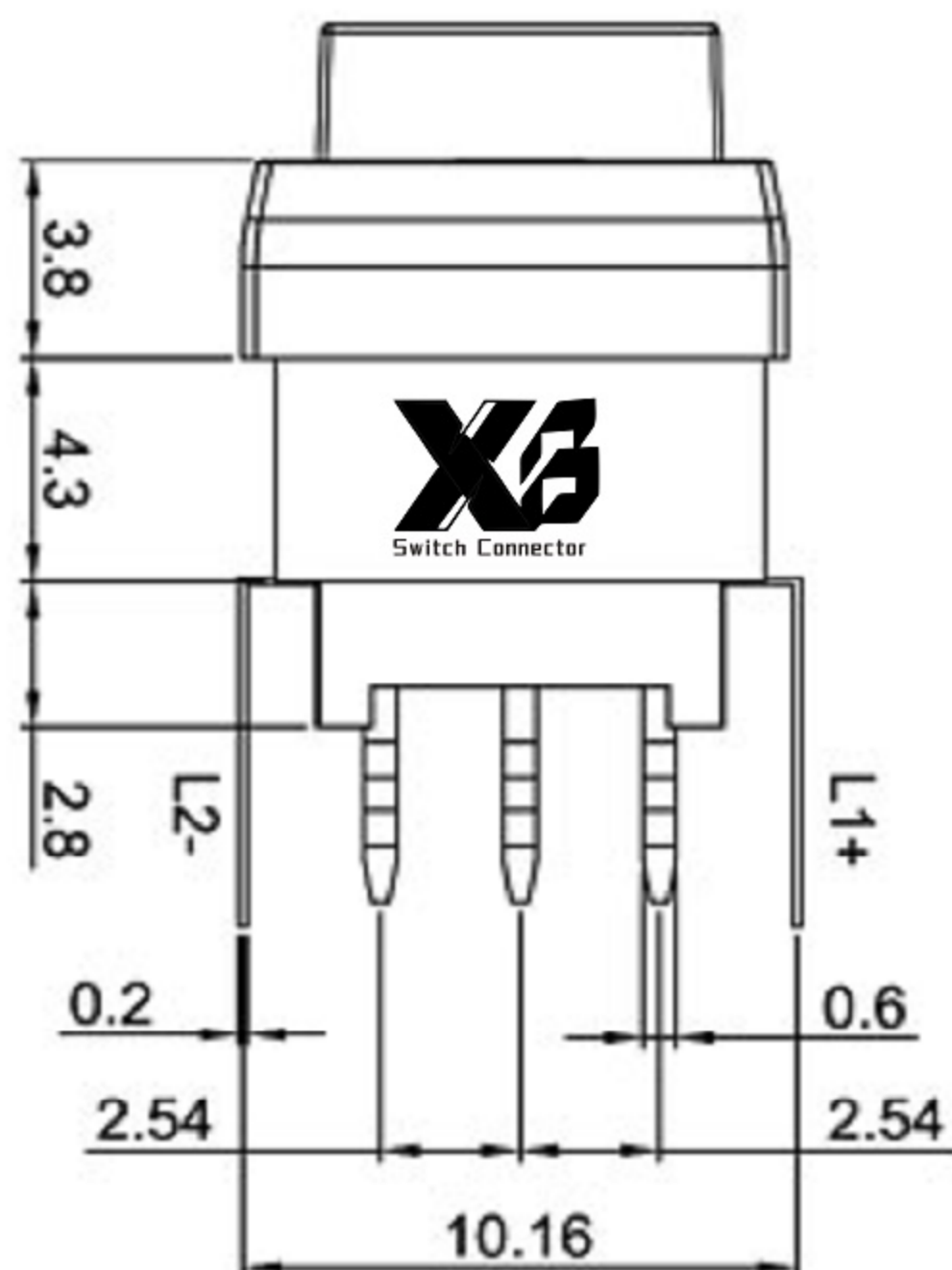
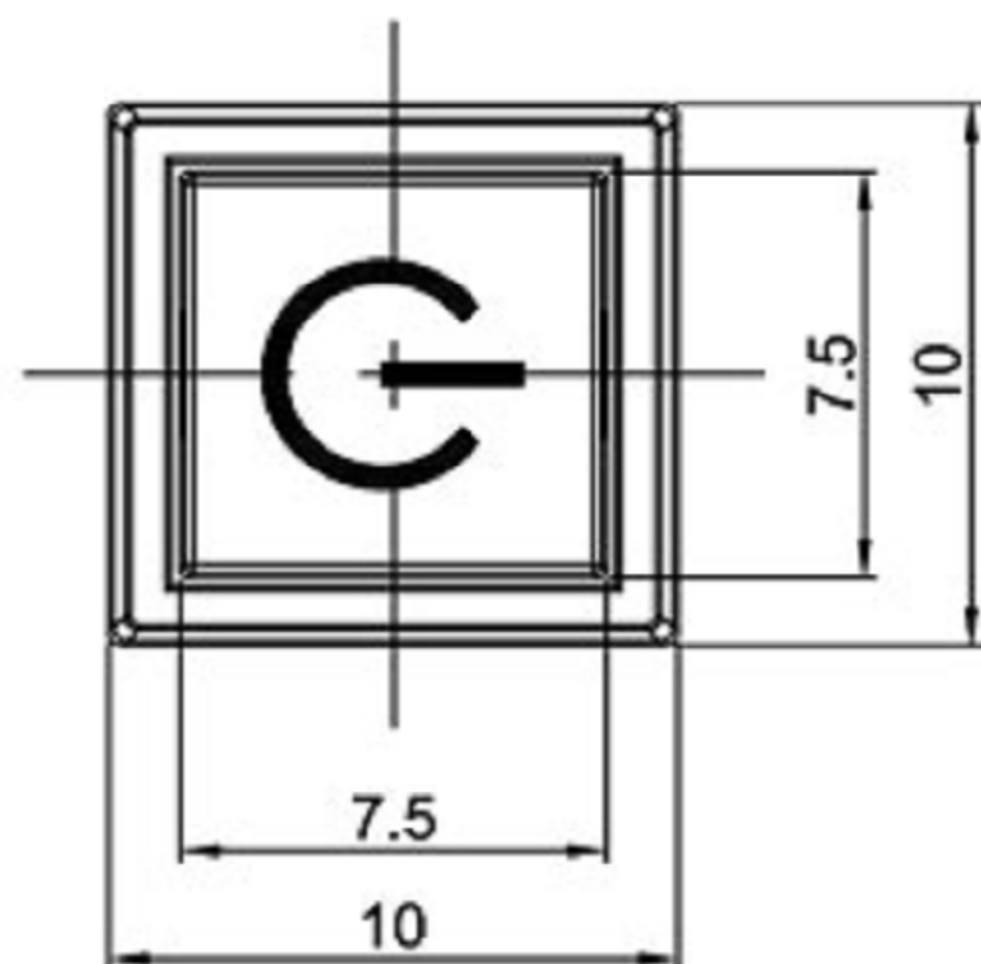
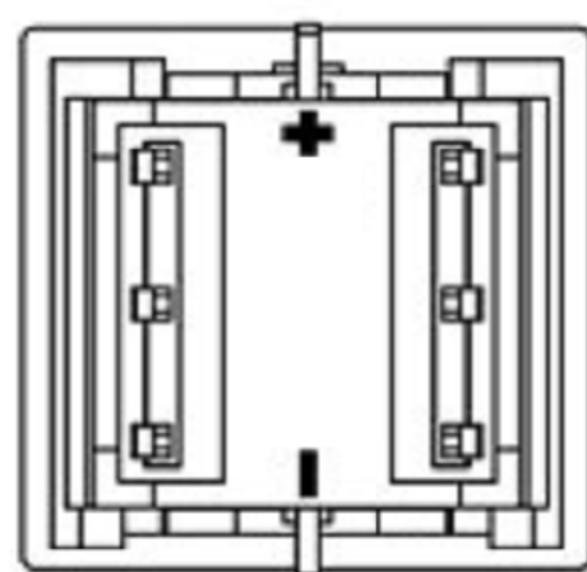
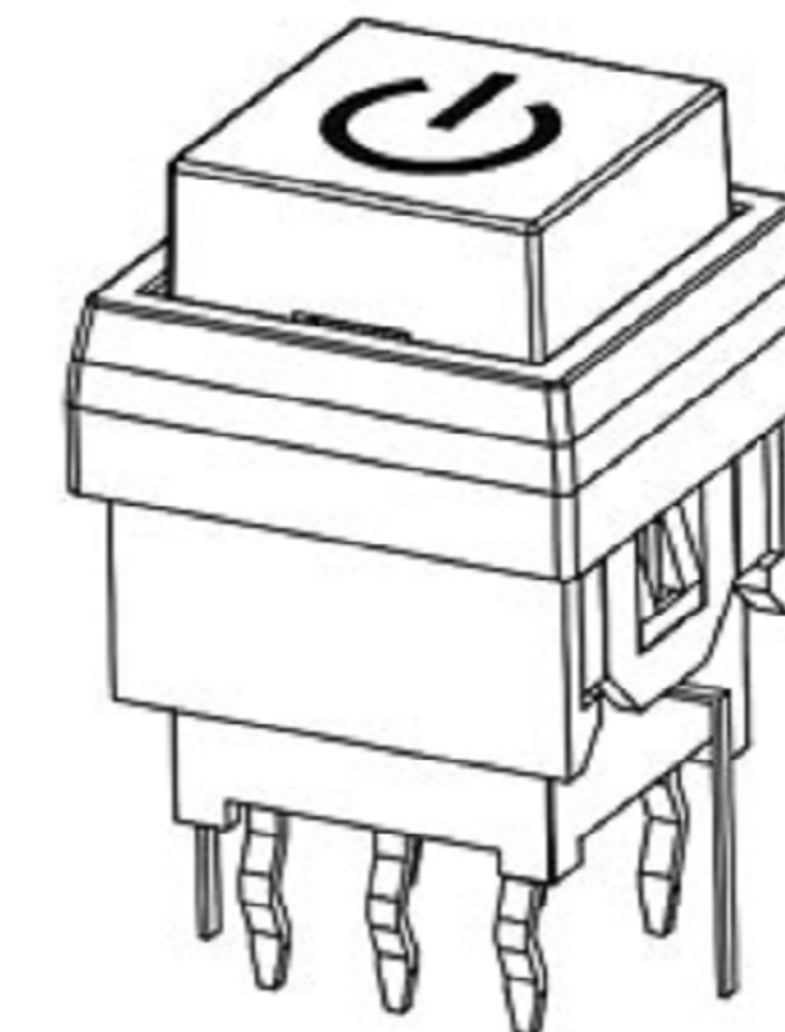


CAD FILE:

ROHS



RG	Red	红色
	Green	翠绿色
G	Green	绿色
W	White	白色
U	Blue	蓝色
Y	Yellow	黄色
O	Orange	橙色
R	Red	红色
灯发光颜色 X Emitted color X		



CIRCUIT

P.C.B. LAYOUT

带灯按键开关性能电气

Circuit: DPDT 2P2T

Current Rating: 100mA

Voltage Rating: 30VDC

Dielectric withstanding voltage : 250VAC for 1 minute

Contact Resistance: 100mΩ Max. (initial)

Insulation Resistance: 100MΩ Min.

Operating Force: 150 ± 100 (MOM)

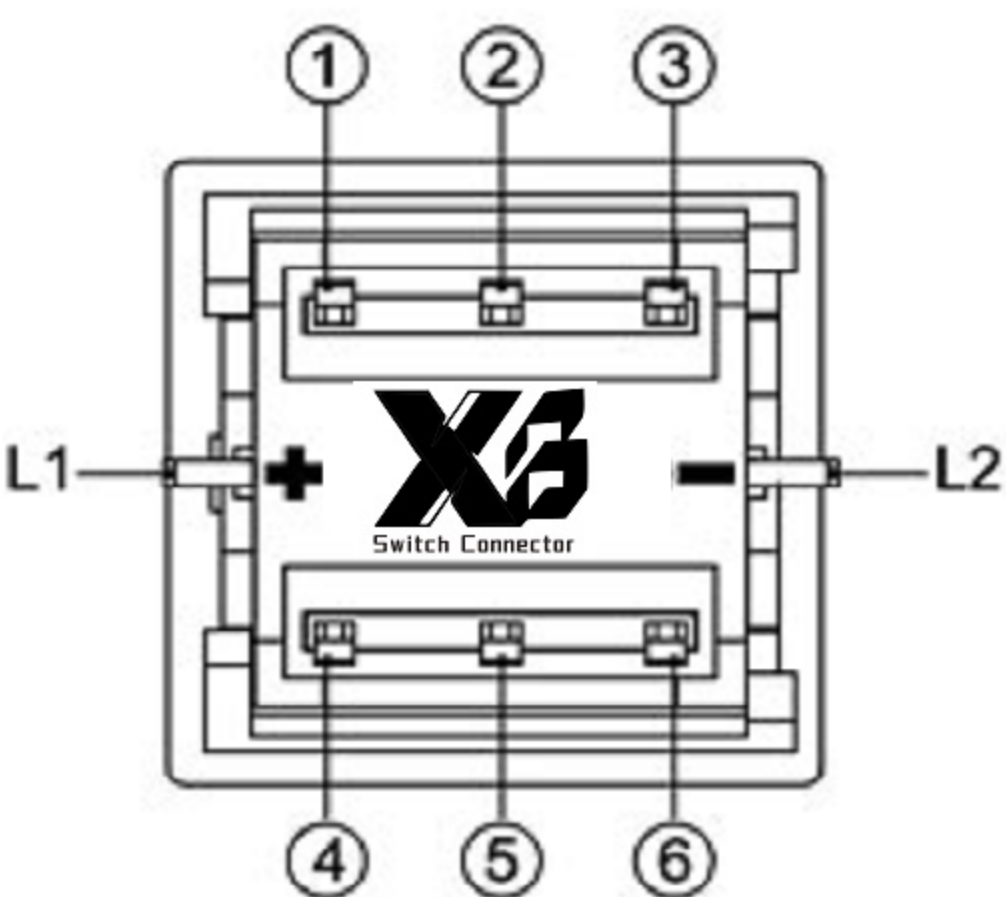
Total Travel: 2.5 ± 0.1 mm

Operating life: 50,000 Cycles Min

Solder Specifications: 260°C for 5 Seconds

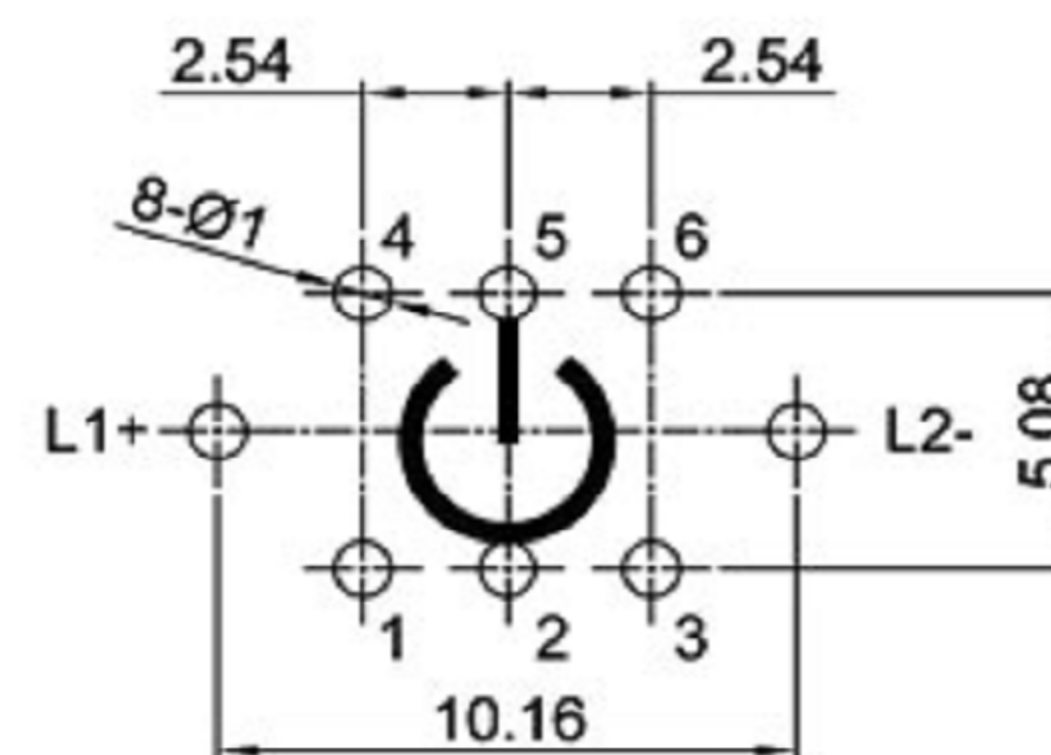
Function: Momentary or self-lock

Operating Temperature: -20°C ~ +70°C



Bottom View

Type	Switch Action		Circuit
Lock	Normal ON	Push to lock ON	
Connected Terminals	1 - 2	2 - 3	
No Lock	Normal ON	Push to lock ON	
Connected Terminals	1 - 2	2 - 3	
LED Circuit			



NO.	PARTS	MATERIALS	Q'TY	FINISH	TOLERANCE UNLESS SPECIFIED	ISSUE	DATE	DESCRIPTIONS OF REVISION	APPD.
8									
7									
6					WITHIN 1.5mm : ±0.1mm	A	2012-9-25	初版	ZENQ. CHEN
5					OVER 1.5mm : ±0.2mm	ISSUE	DATE	DESCRIPTIONS OF REVISION	APPD.
4	CONTACT	SUS	1	Ag CLAD	TITLE : Button Switch With Light		UNIT : mm	DRWG NO. XB-LED-TB-018E	
3	CASE	PPA/BRASS SRTIP	1	BLACK/Ag PLATED	MODEL: XB-LED-TB-018E		SCALE: 5:1	DWN.	JUN. YANG 2012-9-25
2	COVER	STEEL STRIP	1	Ni PLATED	东莞市溪榜电子有限公司 DONG GUAN XI BANG ELECTRONICS CO., LTD.		CHK'D	DONG. PANG 2012-9-25	
1	KNOB	PPA	1	BLACK			APPD.	ZENQ. CHEN 2012-9-25	