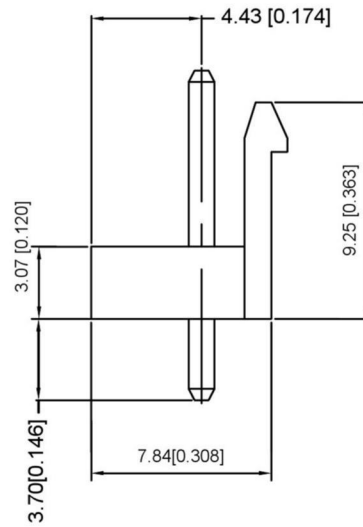


Recomm and PCB Layout



■ Specifications :

- Voltage rating: 250 V AC / DC
- Current rating: 7A AC / DC
- Withstanding voltage: 1500V AC/minute
- Temperature range: -25°C~+85°C
- Insulation resistance: ≥1000M Ω
- Contact resistance: ≤10mΩ
- After environmental testing : ≤20mΩ
- salt fog: 48H

X9396 W V -XX- 46 SN  
 ① ② ③ ④ ⑤ ⑥

- ① Series No.
- ② Category : W-WAF ER
- ③ Wedding Board Angle : V-Stright 180°
- ④ Row No.Pin No.XX-02-15
- ⑤ Material:46-PA46 94V-0
- ⑥ Planting Category:SN-Bright tin plating

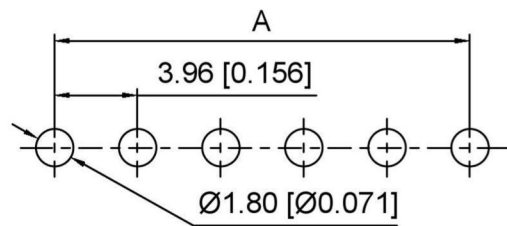
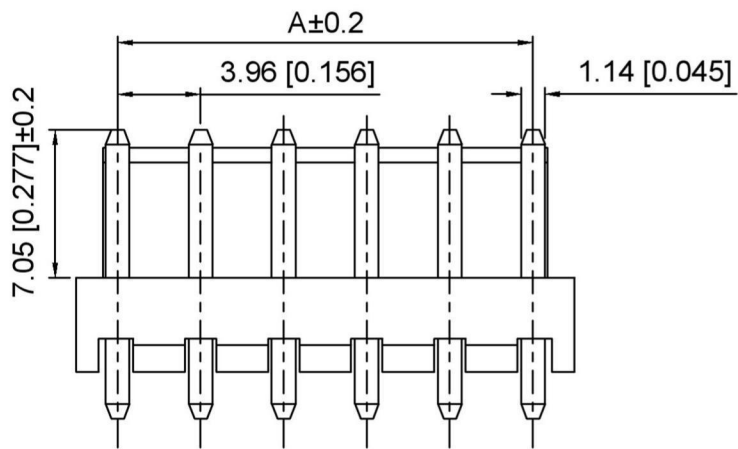
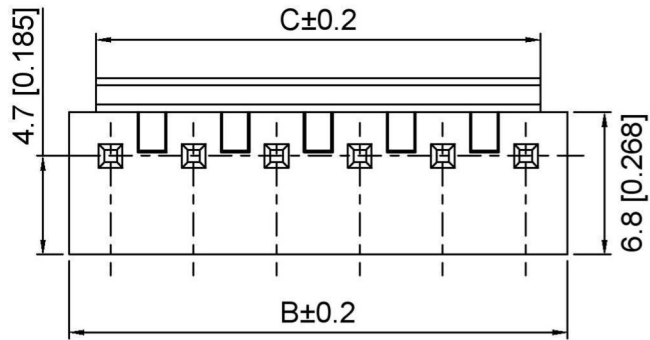
Poles	Dimensions(mm)		Poles	Dimensions(mm)	
	A	B		A	B
02	3.96	7.92	09	31.68	35.64
03	7.92	11.88	10	35.64	39.60
04	11.88	15.84	11	39.60	43.56
05	15.84	19.80	12	43.56	47.52
06	19.80	23.76	13	47.52	51.48
07	23.76	27.72	14	51.48	55.44
08	27.72	31.68	15	55.44	59.40

X9396WV-XX-46SN	Nylon 46 UL 94V-0	Brass	Tin-Plated	X9396H	
PART NO	Material	Material(Pin)	Finish(Pin)	Suitable	Terminal

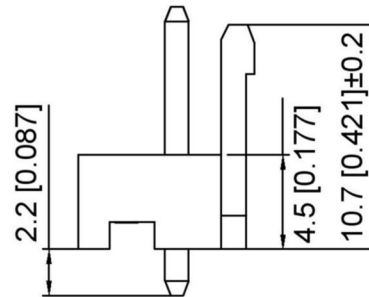
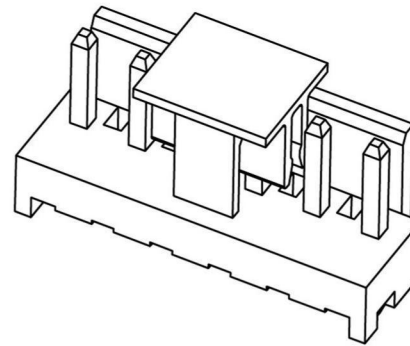
REVISIONS	DATE	REVISED	APPROVED	UNSPECIFIED TOLERANCES
				ANGULAR ±5°
				L ≤ 4 ±0.2
				4 < L ≤ 16 ±0.3
				16 < L ≤ 63 ±0.4
				L > 63 ±0.5



DSND	SCALE: N/A	MODEL TYPE: BOARD TO BOARD CONNECTOR
DWN	VIEW:	PART NO.:
CHKD	UNIT: mm/in	DWG NO.:
APPD	SIZE: A4	



Recommended PCB Layout(Top view)  
Tolerance:±0.05mm



Specifications:  
规格:  
Voltage rating:250V AC/DC  
额定电压: 250V AC/DC  
Current rating:24A AC/DC  
额定电流: 24A AC/DC  
Withstanding voltage:1000V AC/minute  
耐受电压: 1000V AC/分钟  
Temperature range:-40℃-+105℃  
温度范围: -40℃-+105℃  
Insulation resistance:≥1000MΩ  
绝缘电阻: ≥1000MΩ  
Contact resistance:≤20mΩ  
接触电阻: ≤20mΩ

X9396 W V - XX R - LP SN  
① ② ③ ④ ⑤ ⑥ ⑦

- 1.Series No
- 2.Category:W-Wafer
- 3.Welding Board Angle:V-Straight 180°
- 4.Row No.Pin No:XX-02~2x08Pin
- 5.Special No:R-DIP 2.2mm
- 6.Material:LP-LCP UL94V-0 ,Natural  
CAP:LCP UL94V-0 ,Natural
- 7.Plating:SN- Tin Plated

Poles	Dimensions (mm)		
	A	B	C
02	3.96	7.92	5.32
03	7.92	11.88	9.28
04	11.88	15.84	13.24
05	15.84	19.80	17.20
06	19.80	23.76	21.16
07	23.76	27.72	25.12
08	27.72	31.68	29.08

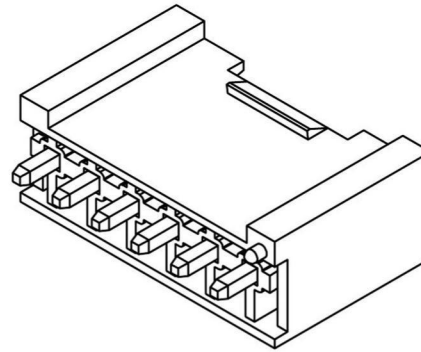
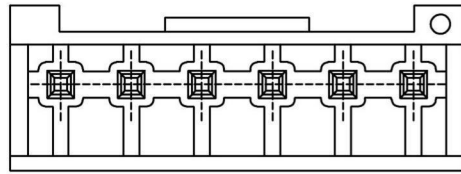
X9396WW-XXR-LPSN	LCP	Brass	X9396H	
PART NO	Material	Material(Pin)	Suitable	Housing

REVISIONS	DATE	REVISED	APPROVED	UNSPECIFIED TOLERANCES
				ANGULAR ±5°
				L ≤ 4 ±0.2
				4 < L ≤ 16 ±0.3
				16 < L ≤ 63 ±0.4
				L > 63 ±0.5



DSND	SCALE: N/A	MODEL TYPE: BOARD TO BOARD CONNECTOR
DWN	VIEW:	PART NO.:
CHKD	UNIT: mm/in	DWG NO.:
APPD	SIZE: A4	
	WEIGHT	SHEET
		1/1
	REVISION	A0

DONG GUAN XI BANG ELECTRONIC CO., LTD



**Specifications:**

规格:

Voltage rating:250V AC/DC

额定电压: 250V AC/DC

Current rating:7A AC/DC

额定电流: 7A AC/DC

Withstanding voltage:1500V AC/minute

耐受电压: 1500V AC/分钟

Temperature range:-25°C~+85°C

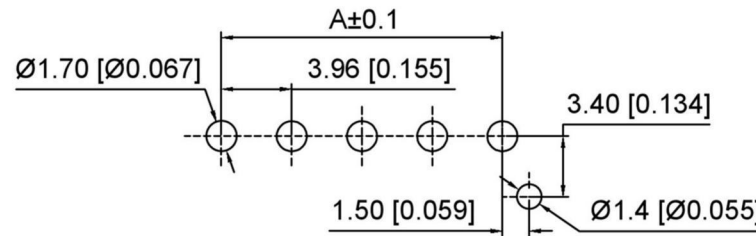
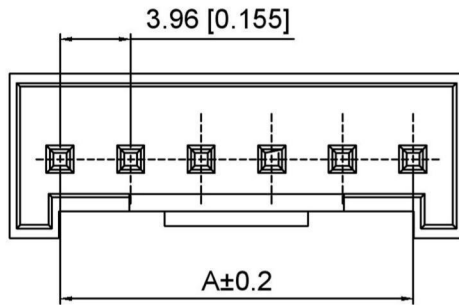
温度范围: -25°C~+85°C

Insulation resistance:1000MΩ min

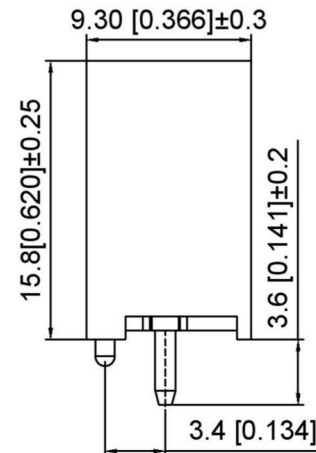
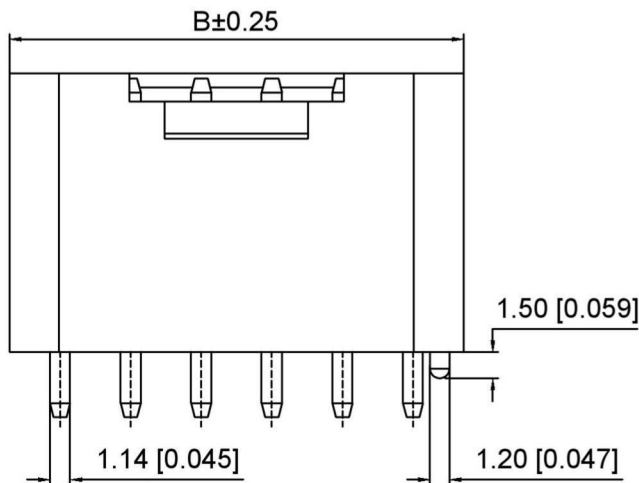
绝缘电阻: 1000MΩ Min

Contact resistance:20mΩ Max

接触电阻: 20mΩ Max



**PCB LAYOUT**



X9396 W V - XX S- N0 SN  
 (1) (2) (3) (4) (5) (6) (7)

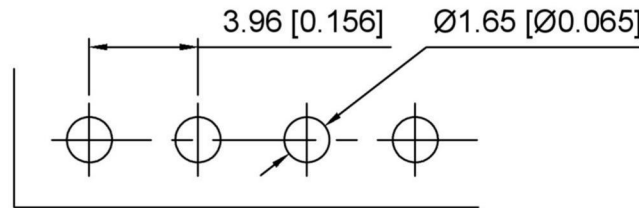
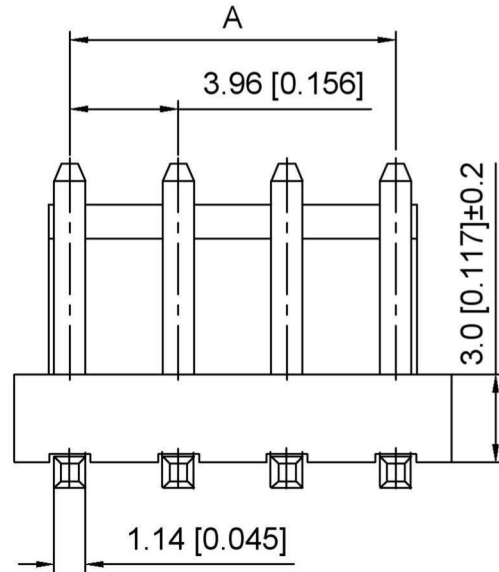
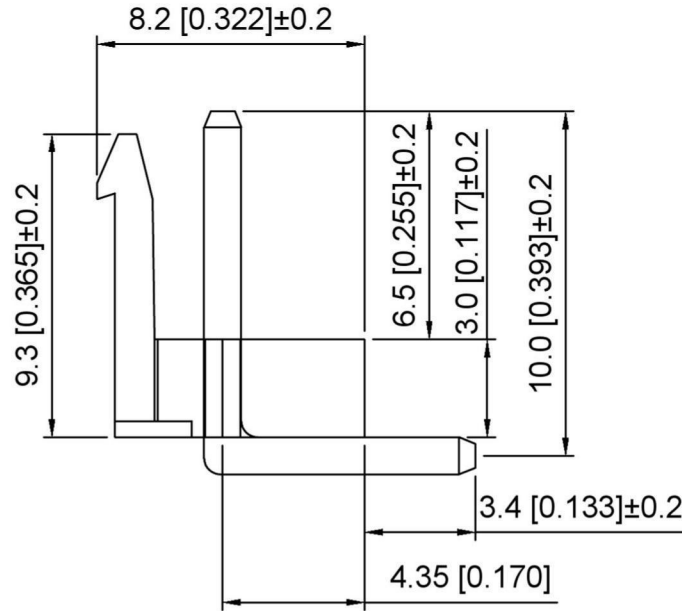
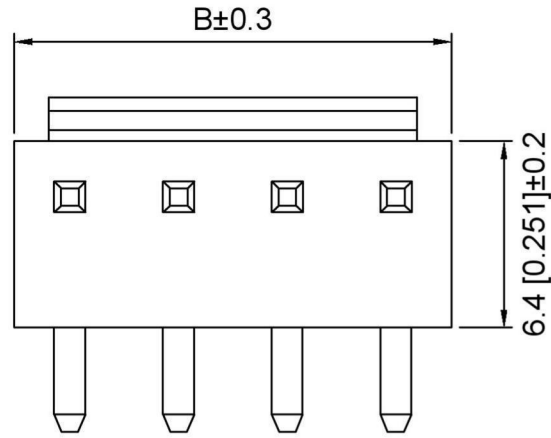
- 1.Series No
- 2.Category:W-Wafer
- 3.Welding Board Angle:V-Stright 180°
- 4.Row No.Pin No:XX-02~15P
- 5.Category:S-With positioning column
- 6Material:N0-PA66 UL94V-0
- 7.Plating:SN-Tin Plated

Poles	Dimensions(mm)		Poles	Dimensions(mm)	
	A	B		A	B
02	3.9600	9.8000	09	31.6800	37.5200
03	7.9200	13.7600	10	35.6400	41.4800
04	11.8800	17.7200	11	39.6000	45.4400
05	15.8400	21.6800	12	43.5600	49.4000
06	19.8000	25.6400	13	47.5200	53.3600
07	23.7600	29.6000	14	51.4800	57.3200
08	27.7200	33.5600	15	55.4400	61.2800

X9396WV-XXS-N0SN	PA66	Brass	X9396H
PART NO	Material	Material(Pin)	Suitable Housing

REVISIONS	DATE	REVISED	APPROVED	UNSPECIFIED TOLERANCES
				ANGLAR ±5°
				L ≤ 4 ±0.2
				4 < L ≤ 16 ±0.3
				16 < L ≤ 63 ±0.4
				L > 63 ±0.5

	DSND	SCALE: N/A	MODEL TYPE: BOARD TO BOARD CONNECTOR
	DWN	VIEW:	PART NO.:
	CHKD	UNIT: mm/in	DWG NO.:
	APPD	SIZE: A4	
DONG GUAN XI BANG ELECTRONIC CO., LTD			WEIGHT SHEET REVISION 1/1 A0



Recommended PCB Layout

Specifications:

规格:

Voltage rating:250V AC/DC

额定电压: 250V AC/DC

Current rating:7A AC/DC

额定电流: 7A AC/DC

Withstanding voltage:1500V AC/minute

耐受电压: 1500V AC/分钟

Temperature range:-40°C~+85°C

温度范围: -40°C~+85°C

Insulation resistance:1000MΩ min

绝缘电阻: 1000MΩ Min

Contact resistance:20mΩ Max

接触电阻: 20mΩ Max

X9396 W R - XX - 46 SN  
① ② ③ ④ ⑤ ⑥

- 1.Series No
- 2.Category:W-Wafer
- 3.Welding Board Angle:R-Stright 90°
- 4.Row No.Pin No:XX-02~15P
- 5.Material:46-Nylon 46 UL94V-0
- 6.Plating:SN-Bright Tin Plated

Poles	Dimensions(mm)		Poles	Dimensions(mm)	
	A	B		A	B
02	3.96	7.92	09	31.68	35.64
03	7.92	11.88	10	35.64	39.60
04	11.88	15.84	11	39.60	43.56
05	15.84	19.80	12	43.56	47.52
06	19.80	23.76	13	47.52	51.48
07	23.76	27.72	14	51.48	55.44
08	27.72	31.68	15	55.44	59.40

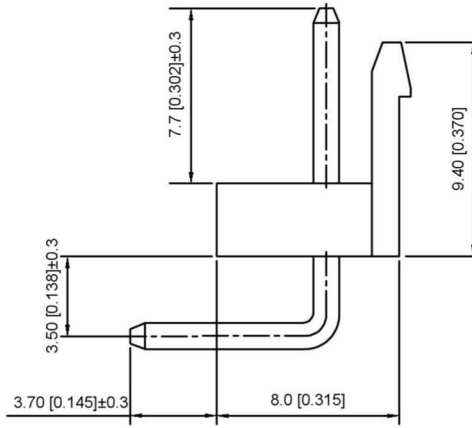
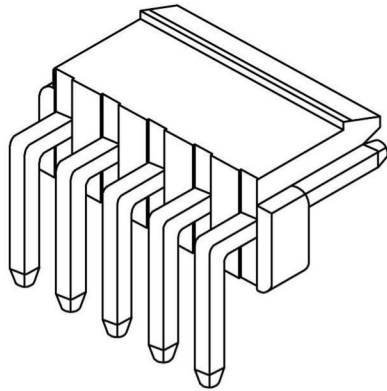
X9396WR-XX-46SN	Nylon 46	Brass	X9396H
PART NO	Material	Material(Pin)	Suitable Housing

REVISIONS	DATE	REVISED	APPROVED	UNSPECIFIED TOLERANCES
				ANGULAR ±5°
				L ≤ 4 ±0.2
				4 < L ≤ 16 ±0.3
				16 < L ≤ 63 ±0.4
				L > 63 ±0.5



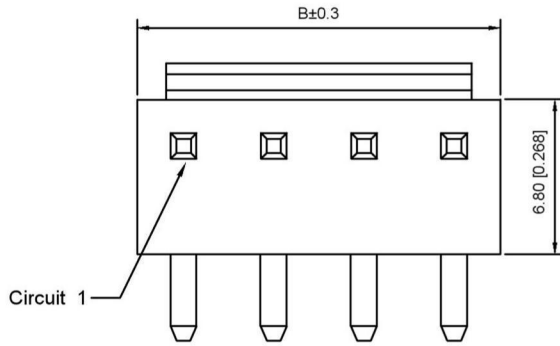
DSND	SCALE: N/A	MODEL TYPE: BOARD TO BOARD CONNECTOR
DWN	VIEW:	PART NO.:
CHKD	UNIT: mm/in	DWG NO.:
APPD	SIZE: A4	
		WEIGHT
		SHEET
		REVISION
DONG GUAN XI BANG ELECTRONIC CO., LTD		1/1
		A0





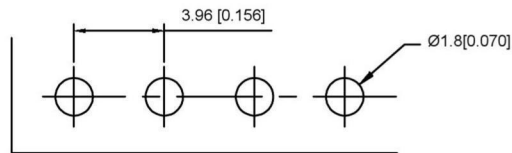
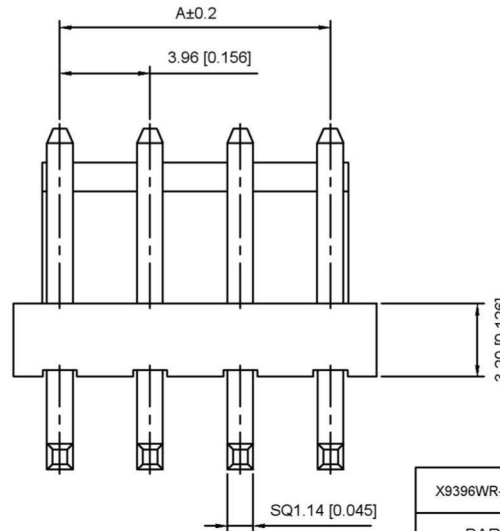
■ Specifications :

- Voltage rating: 250V AC / DC
- Current rating: 7A AC / DC
- Withstanding voltage: 1500V AC/minute
- Temperature range: -25°C~+85°C
- Insulation resistance: ≥1000M Ω
- Contact resistance: ≤10mΩ
- After environmental testing : ≤20mΩ



X9396 W R -XX A- NO SN  
① ② ③ ④ ⑤ ⑥ ⑦

- ① Series No.
- ② Category : W-WAFER
- ③ Wedding Board Angle : R-Stright 90°
- ④ Row No.Pin No.XX-02-15
- ⑤ Special No.A-There are graps
- ⑥ Material:N0-Nylon66 UL94V-0
- ⑦ Planting Category:SN-Bright tin plating



Recommended P.C.B Layout  
General Tolerance±0.05

Poles	Dimensions(mm)		Poles	Dimensions(mm)	
	A	B		A	B
02	3.96	7.92	09	31.68	35.64
03	7.92	11.88	10	35.64	39.60
04	11.88	15.84	11	39.60	43.56
05	15.84	19.80	12	43.56	47.52
06	19.80	23.76	13	47.52	51.48
07	23.76	27.72	14	51.48	55.44
08	27.72	31.68	15	55.44	59.40

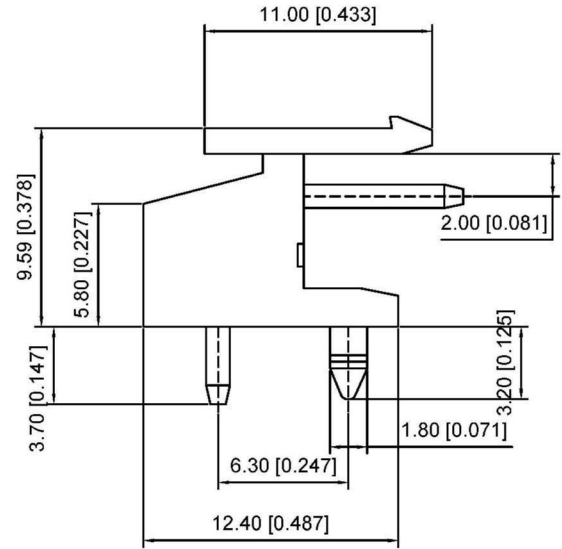
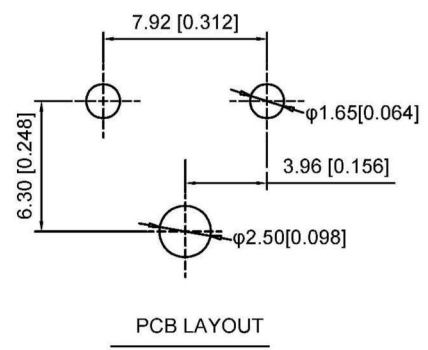
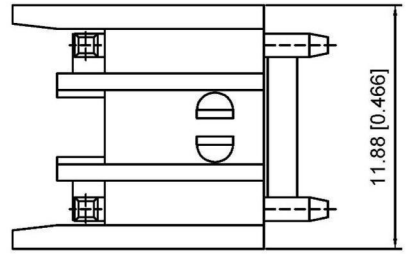
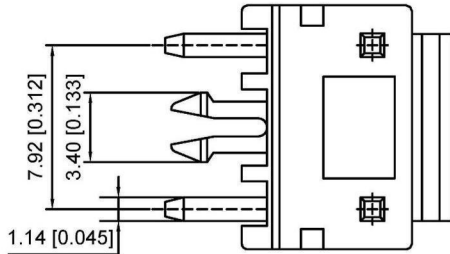
X9396WR-XXA-N0SN	Nylon 66 UL 94V-0	Brass	Tin-Plated	X9396H
PART NO	Material	Material(Pin)	Finish(Pin)	Suitable Terminal

REVISIONS	DATE	REVISED	APPROVED	UNSPECIFIED TOLERANCES
				ANGULAR ±5°
				L ≤ 4 ±0.2
				4 < L ≤ 16 ±0.3
				16 < L ≤ 63 ±0.4
				L > 63 ±0.5

www.alpsr.com	www.gdxjdz.com	www.xbswitch.com
---------------	----------------	------------------



DSND	SCALE: N/A	MODEL TYPE: BOARD TO BOARD CONNECTOR
DWN	VIEW:	PART NO.:
CHKD	UNIT: mm/in	DWG NO.:
APPD	SIZE: A4	WEIGHT SHEET REVISION
DONG GUAN XI BANG ELECTRONIC CO., LTD		1/1 A0



■ Specifications :

- Voltage rating: 250V AC / DC
- Current rating: 7A AC / DC
- Withstanding voltage: 1500V AC/minute
- Temperature range: -25°C~+85°C
- Insulation resistance: ≥1000M Ω
- Contact resistance: ≤10mΩ
- After environmental testing : ≤20mΩ

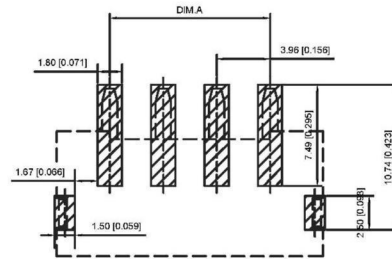
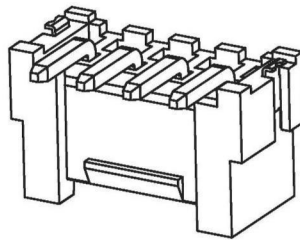
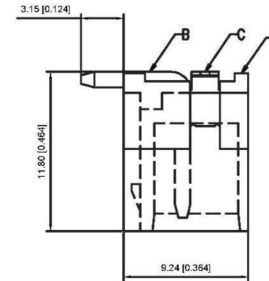
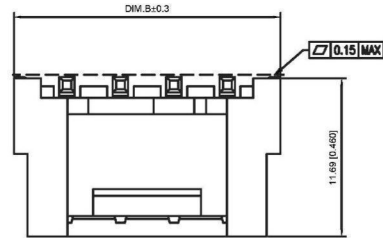
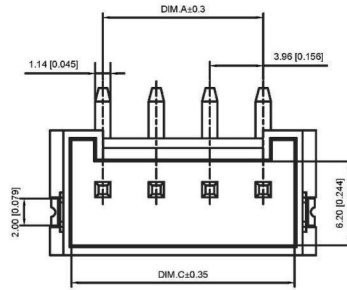
X9396 WR -02 S1- PT SN

- ① Series No.
- ② Category : W-WAFER
- ③ Wed ding Board Angle : R-S tright 90°
- ④ Row NO. -Pin No Per Row:02-02P
- ⑤ Special No.:S1-With Post and Locking Block
- ⑥ Material:PT-PBT 94V-0
- ⑦ Color:Blank-natural color

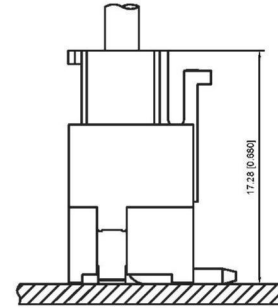
X9396WR-02S1-PTSN	PBT UL94V-0	Brass	Tin-Plated	X9396H
PART NO	Material	Material(Pin)	Finish(Pin)	Suitable Terminal

				ANGULAR	±5°		DSND	SCALE: N/A	MODEL TYPE: BOARD TO BOARD CONNECTOR		
				L ≤ 4	±0.2		DWN	VIEW:	PART NO.:		
				4 < L ≤ 16	±0.3		CHKD	UNIT: mm/in	DWG NO.:		
				16 < L ≤ 63	±0.4		APPD	SIZE: A4			
				L > 63	±0.5						
REVISIONS				UNSPECIFIED TOLERANCES		DONG GUAN XI BANG ELECTRONIC CO., LTD			WEIGHT	SHEET	REVISION
www.alpsr.com www.gdxjdz.com www.xbswitch.com										1/1	A0





Mating PCB detail



Assembly Layout

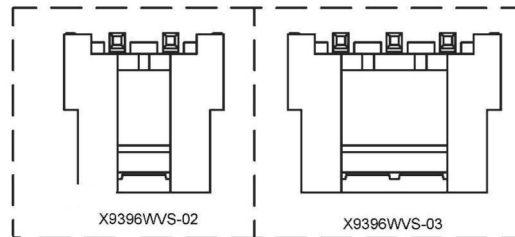
■ Specifications :

- Voltage rating: 250V AC / DC
- Current rating: 7A AC / DC
- Withstanding voltage: 1500V AC/minute
- Temperature range: -25°C~+85°C
- Insulation resistance: ≥1000M Ω
- Contact resistance: ≤10mΩ
- After environmental testing : ≤20mΩ

X9396 W V S-XX- 9T SN  
① ② ③ ④ ⑤ ⑥ ⑦

- ① Series No.
- ② Category : W-WAFER
- ③ Wedding Board Angle : V-Stright 90°
- ④ Welding Way:S-SMT
- ⑤ Row No.Pin No.XX-Single row
- ⑥ Material:9T-PA9T 94V-0
- ⑦ Planting Category:SN-Bright tin plating

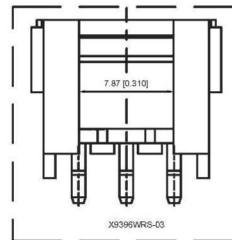
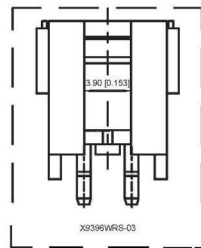
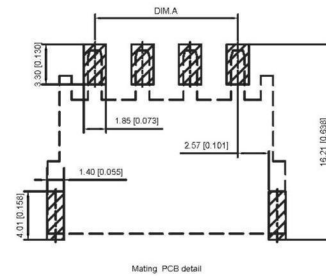
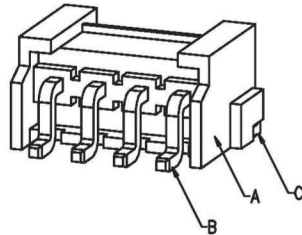
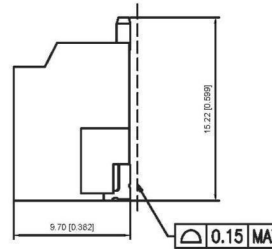
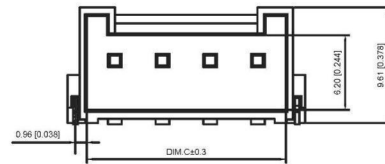
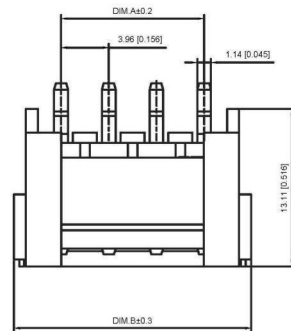
Poles	Dimensions(mm)			Poles	Dimensions(mm)		
	A	B	C		A	B	C
02	3.96	11.88	8.60	09	1.68	39.60	36.32
03	7.92	15.84	12.56	10	5.64	43.56	
04	11.88	19.80	16.52	11	39.60	47.52	44.24
05	15.84	23.76	20.48	12	43.56	51.48	48.20
06	19.80	27.72	24.44	13	47.52	55.44	
07	23.76	31.68	28.40	14	51.48	59.40	
08	27.72	35.64	32.36	15	55.44	63.36	60.08



X9396WVS-XX-9TSN	Nylon 66 UL 94V-0	Brass	Tin-Plated	X9396H
PART NO	Material	Material(Pin)	Finish(Pin)	Suitable Terminal

				ANGLAR	±5°		DSND	SCALE: N/A	MODEL TYPE: BOARD TO BOARD CONNECTOR		
				L ≤ 4	±0.2		DWN	VIEW:	PART NO.:		
				4 < L ≤ 16	±0.3		CHKD	UNIT: mm/in	DWG NO.:		
				16 < L ≤ 63	±0.4		APPD	SIZE: A4			
				L > 63	±0.5						
REVISIONS				UNSPECIFIED TOLERANCES					WEIGHT	SHEET	REVISION
www.alpsr.com www.gdxjdz.com www.xbswitch.com						DONG GUAN XI BANG ELECTRONIC CO., LTD				1/1	A0





■ Specifications :



- Voltage rating: 250V AC / DC
- Current rating: 7A AC / DC
- Withstanding voltage: 1500V AC/minute
- Temperature range: -25°C~+85°C
- Insulation resistance: ≥1000M Ω
- Contact resistance: ≤10mΩ
- After environmental testing : ≤20mΩ

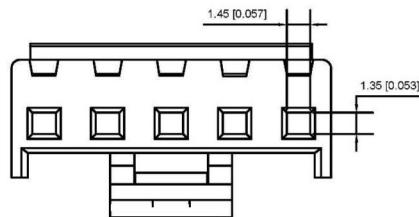
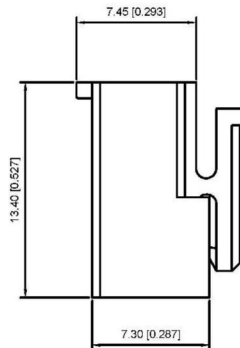
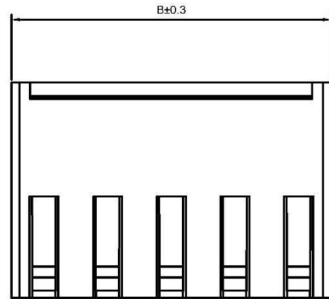
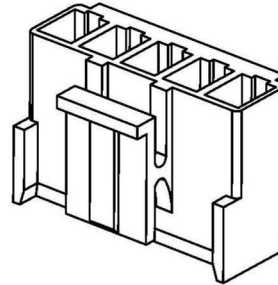
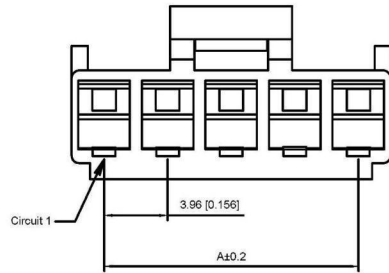
X9396 W R S-XX- 9T SN  
① ② ③ ④ ⑤ ⑥ ⑦

- Series No.
- Category : W-WAFER
- Wedding Board Angle : R-S tright 90°
- Welding Way: S-SMT
- Row No.Pin No.XX-Single row
- Material: 9T-PA9T 94V-0
- Planting Category: SN-Bright tin plating

Poles	Dimensions(mm)			Poles	Dimensions(mm)		
	A	B	C		A	B	C
02	3.96	11.88	8.60	093	1.68	39.60	36.32
03	7.92	15.84	12.56	103	5.64	43.56	
04	11.88	19.80	16.52	11	39.60	47.52	44.24
05	15.84	23.76	20.48	12	43.56	51.48	48.20
06	19.80	27.72	24.44	13	47.52	55.44	
07	23.76	31.68	28.40	14	51.48	59.40	
08	27.72	35.64	32.36	15	55.44	63.36	60.08

X9396WRS-XX-9T SN	Nylon 96 UL 94V-0	Brass	Tin-Plated	X9396H
PART NO	Material	Material(Pin)	Finish(Pin)	Suitable Terminal

REVISIONS				UNSPECIFIED TOLERANCES		DSND	SCALE: N/A	MODEL TYPE: BOARD TO BOARD CONNECTOR		
DATE	REVISED	APPROVED	ANGLAR	±5°		DWN	VIEW: 	PART NO.:		
			L ≤ 4	±0.2		CHKD	UNIT: mm/in	DWG NO.:		
			4 < L ≤ 16	±0.3		APPD	SIZE: A4			
			16 < L ≤ 63	±0.4	DONG GUAN XI BANG ELECTRONIC CO., LTD			WEIGHT	SHEET	REVISION
			L > 63	±0.5				1/1	A0	
www.alpsr.com www.gdxjdz.com www.xbswitch.com										



■ Specifications :


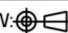
- Voltage rating: 250V AC / DC
- Current rating: 7A AC / DC
- Withstanding voltage: 1500V AC/minute
- Temperature range: -25°C~+85°C
- Insulation resistance: ≥1000M Ω
- Contact resistance: ≤10mΩ
- After environmental testing : ≤20mΩ

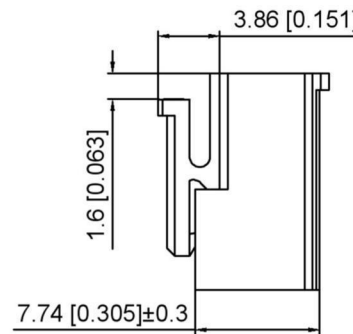
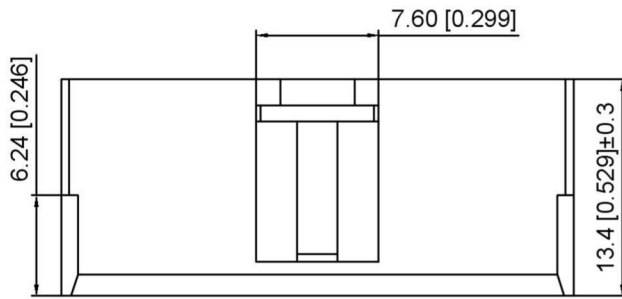
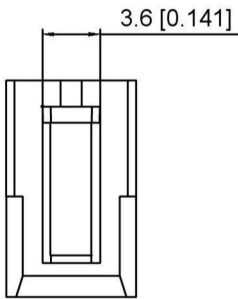
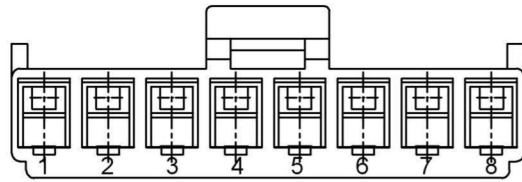
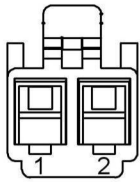
X9396 H -XX- N0-X  
 ① ② ③ ④ ⑤

- ① Series No.
- ② Category : H-HSG
- ③ Row No.Pin No.XX-02-15
- ④ Material:N0-PA66 94V-0
- ⑤ C-Resistance to glowing filament

Poles	Dimensions(mm)		Poles	Dimensions(mm)	
	A	B		A	B
02	3.96	8.30	09	31.68	36.30
03	7.92	12.30	10	35.64	40.30
04	11.88	16.30	11	39.60	44.30
05	15.84	20.30	12	43.56	48.30
06	19.80	24.30	13	47.52	52.30
07	23.76	28.30	14	51.48	56.30
08	27.72	32.30	15	55.44	60.30

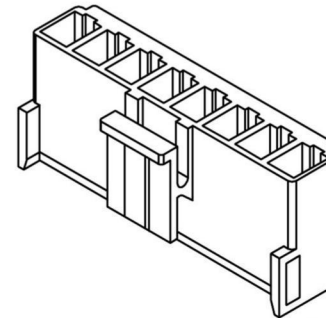
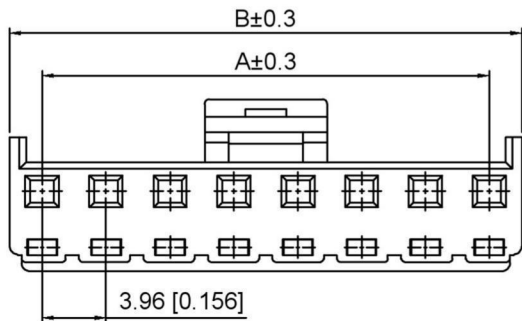
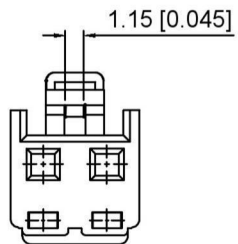
X9396H-XX-N0-C	Nylon 66 UL 94V-0	X9396T	X9396W		
X9396H-XX-N0	Nylon 66 UL 94V-0				
PART NO	Material	Suitable	Terminal	Suitable	Terminal

REVISIONS				UNSPECIFIED TOLERANCES		DSND	SCALE: N/A	MODEL TYPE: BOARD TO BOARD CONNECTOR			
DATE				REVISD		APPROVED	DWN	VIEW: 	PART NO.:		
www.alpsr.com www.gdxjdz.com www.xbswitch.com				ANGLAR ±5°		L ≤ 4 ±0.2	4 < L ≤ 16 ±0.3	16 < L ≤ 63 ±0.4	L > 63 ±0.5	UNIT: mm/in	DWG NO.:
				CHKD		APPD	SIZE: A4	WEIGHT	SHEET	REVISION	
						DONG GUAN XI BANG ELECTRONIC CO., LTD			1/1	A0	



02 Pin

03 Pin 以上



Specifications:

规格:

Voltage rating:250V AC/DC

额定电压: 250V AC/DC

Current rating:7A AC/DC

额定电流: 7A AC/DC

Withstanding voltage:1500V AC/minute

耐受电压: 1500V AC/分钟

Temperature range:-40°C-+125°C

温度范围: -40°C-+125°C

Insulation resistance:1000MΩ min

绝缘电阻: 1000MΩ Min

Contact resistance:10mΩ Max

接触电阻: 10mΩ Max

Material:过灼热丝850°

X9396 H - XX - N0 - U  
① ② ③ ④ ⑤

1.Series No

2.Category:H-Housing

3.Row No.Pin No:XX-02~15P

4.Material:N0-PA66 UL94V-0

5.Social No:U- upgraded version

Poles	Dimensions(mm)		Poles	Dimensions(mm)	
	A	B		A	B
02	3.96	8.02	09	31.68	35.74
03	7.92	11.98	10	35.64	39.70
04	11.88	15.94	11	39.60	43.66
05	15.84	19.90	12	43.56	47.62
06	19.80	23.86	13	47.52	51.58
07	23.76	27.82	14	51.48	55.54
08	27.72	31.78	15	55.44	59.50

PART NO	Material	Suitable Wafer	Suitable Terminal
X9396H-XX-N0-U	PA66	X9396W	X9396T

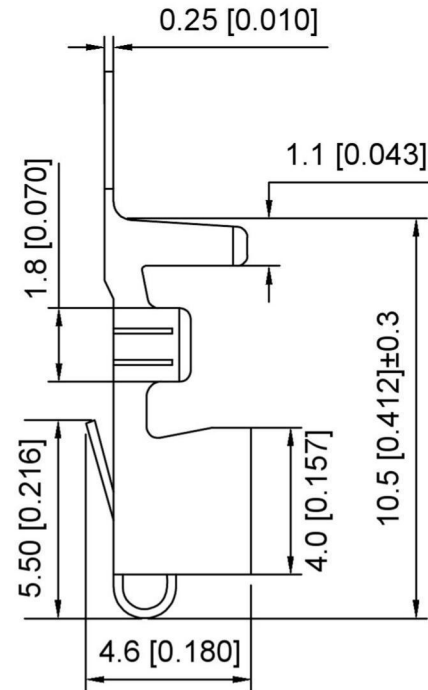
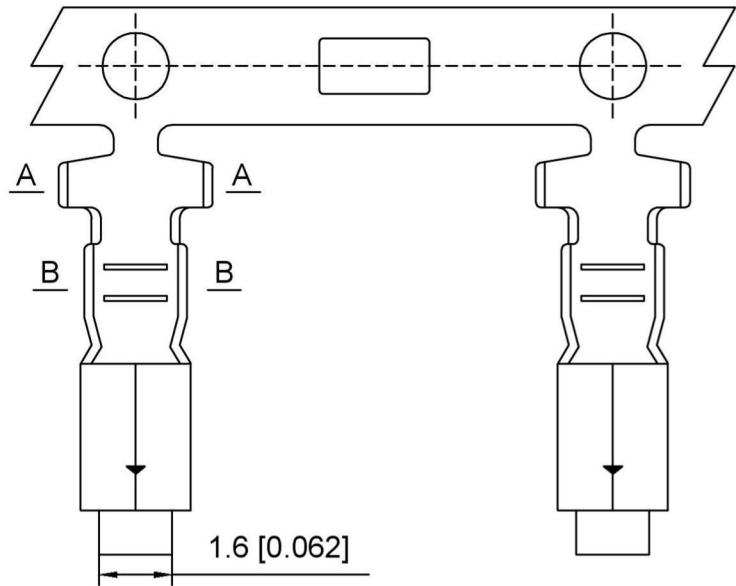
REVISIONS	DATE	REVISED	APPROVED	UNSPECIFIED TOLERANCES
				ANGULAR ±5°
				L ≤ 4 ±0.2
				4 < L ≤ 16 ±0.3
				16 < L ≤ 63 ±0.4
				L > 63 ±0.5

www.alpsr.com www.gdxjdz.com www.xbswitch.com



DSND	SCALE: N/A	MODEL TYPE:
DWN <td>VIEW: </td> <td>BOARD TO BOARD CONNECTOR</td>	VIEW:	BOARD TO BOARD CONNECTOR
CHKD <td>UNIT: mm/in</td> <td>PART NO.:</td>	UNIT: mm/in	PART NO.:
APPD <td>SIZE: A4</td> <td>DWG NO.:</td>	SIZE: A4	DWG NO.:
		WEIGHT SHEET REVISION
		1/1 A0

DONG GUAN XI BANG ELECTRONIC CO., LTD



Specifications:

规格:

Voltage rating: 250V AC/DC

额定电压: 250V AC/DC

Current rating: 7A AC/DC

额定电流: 7A AC/DC

Withstanding voltage: 1500V AC/minute

耐受电压: 1500V AC/分钟

Temperature range: -25°C~+85°C

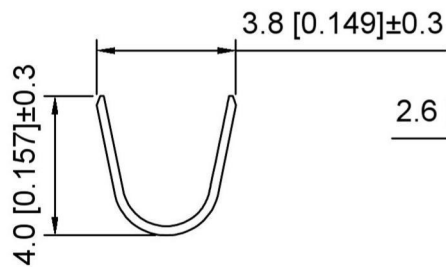
温度范围: -25°C~+85°C

Insulation resistance: 1000MΩ min

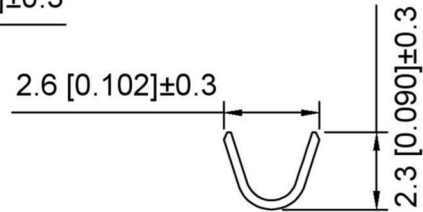
绝缘电阻: 1000MΩ Min

Contact resistance: 20mΩ Max

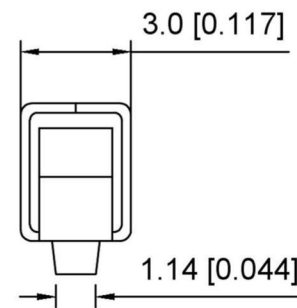
接触电阻: 20mΩ Max



SEC:A-A



SEC:B-B



X9396	T	B	SN
①	②	③	④

1. Series No
2. Category: Terminal
3. Material: B-Brass  
P-Phosphor Bronze
4. Plating: SN-Tin Plated

X9396T-BSN	Brass	AWG#16~22	X9396H
PART NO	Material	Wire Range	Suitable Housing

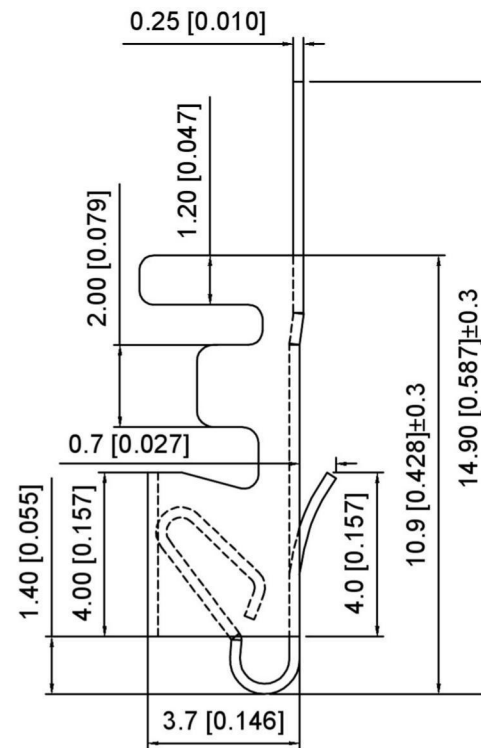
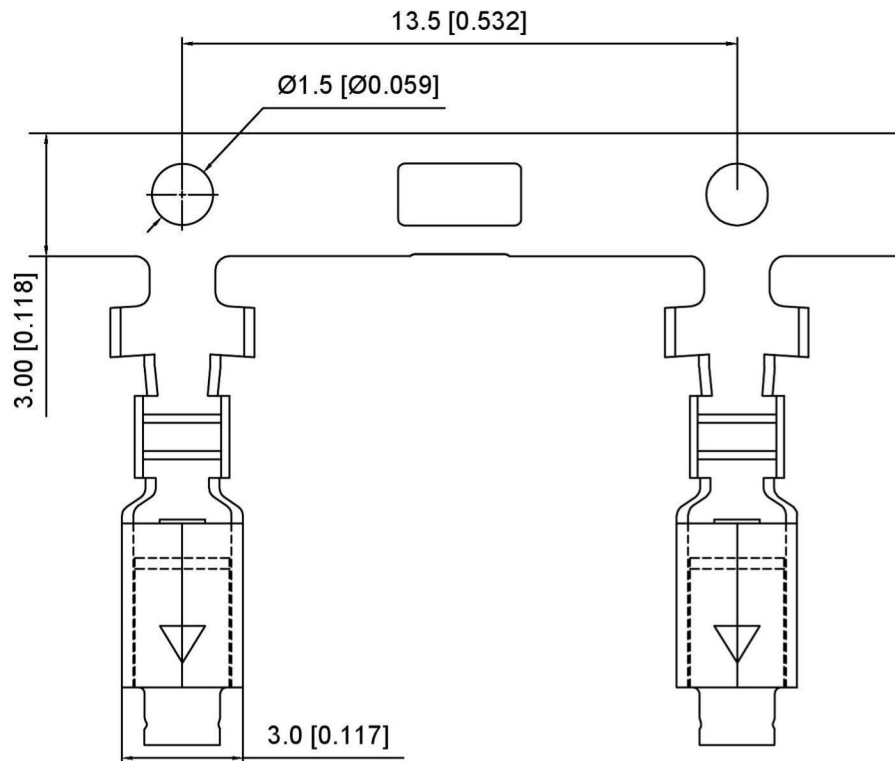
REVISIONS	DATE	REVISED	APPROVED	ANGULAR	±5°
				L ≤ 4	±0.2
				4 < L ≤ 16	±0.3
				16 < L ≤ 63	±0.4
				L > 63	±0.5
				UNSPECIFIED TOLERANCES	
www.alpsr.com www.gdxjdz.com www.xbswitch.com					



DSND	SCALE: N/A	MODEL TYPE:	BOARD TO BOARD CONNECTOR
DWN	VIEW:	PART NO.:	
CHKD	UNIT: mm/in	DWG NO.:	
APPD	SIZE: A4	WEIGHT	SHEET
		1/1	REVISION
			A0

DONG GUAN XI BANG ELECTRONIC CO., LTD





Specifications:

规格:

Voltage rating:250V AC/DC

额定电压: 250V AC/DC

Current rating:7A AC/DC

额定电流: 7A AC/DC

Withstanding voltage:1500V AC/minute

耐受电压: 1500V AC/分钟

Temperature range:-40°C-+125°C

温度范围: -40°C-+125°C

Insulation resistance:1000MΩ min

绝缘电阻: 1000MΩ Min

Contact resistance:10mΩ Max

接触电阻: 10mΩ Max

X9396 T - B SN - U  
 ① ② ③ ④ ⑤

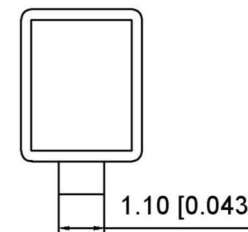
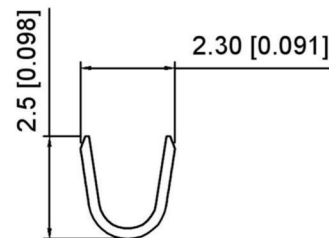
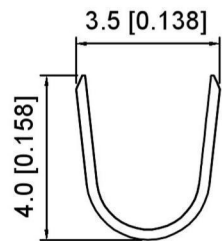
1. Series No

2. Category:T-Terminal

3. Material:B-Beass

4. Plating:SN-Plated Tin

5. Special No:U-upgraded version



X9396T-BSN-U	Brass	AWG#24~16	X9396H
PART NO	Material	Wire Range	Suitable Housing

DSND	SCALE: N/A	MODEL TYPE: BOARD TO BOARD CONNECTOR
DWN	VIEW:	PART NO.:
CHKD	UNIT: mm/in	DWG NO.:
APPD	SIZE: A4	

REVISIONS	DATE	REVISED	APPROVED	UNSPECIFIED TOLERANCES
				ANGULAR ±5°
				L ≤ 4 ±0.2
				4 < L ≤ 16 ±0.3
				16 < L ≤ 63 ±0.4
				L > 63 ±0.5



DONG GUAN XI BANG ELECTRONIC CO., LTD

WEIGHT	SHEET	REVISION
	1/1	A0