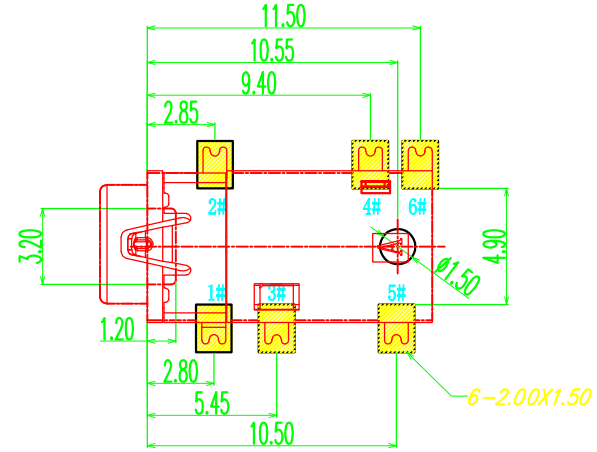
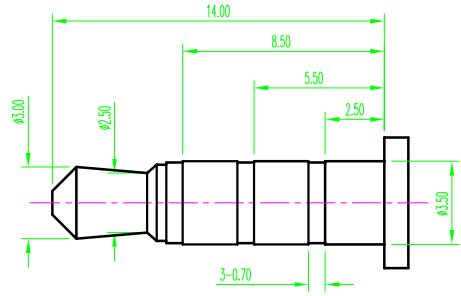
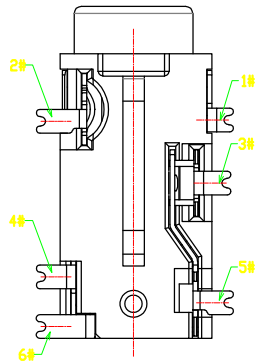
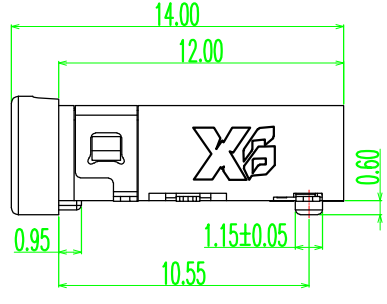
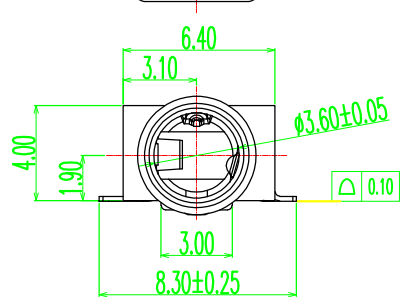


3D VIEW

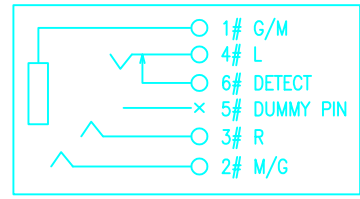
- CONTACT CURRENT RATING: 1A.
- CONTACT RESISTANCE: 50 mΩ MAX.;
- INSULATION RESISTANCE: 1000Ω MIN.;
- DIELECTRIC WITHSTANDING: 500V AC MIN.;
- DURABILITY: 5,000 CYCLES MIN.;
- CONNECTOR MATING FORCES: 30N MAX.;
- CONNECTOR UNMATING FORCES: 3N MIN.;



P.C.B LAYOUT TOP VIEW



($\phi 3.50\text{mm}$ 4 POLE PLUG DETAIL DRAWING)



SCHEMATIC

ITEM	NAME	Q'TY	DESCRIPTION
7	TERMINAL 6#	1	COPPER ALLOY; NICKEL UNDER PLATING OVERALL,GOLD PLATING ON SOLDER AREA ;GOLD PLATING ON CONTACT AREA
6	TERMINAL 5#	1	COPPER ALLOY; NICKEL UNDER PLATING OVERALL,GOLD PLATING ON SOLDER AREA ;GOLD PLATING ON CONTACT AREA
5	TERMINAL 4#	1	COPPER ALLOY; NICKEL UNDER PLATING OVERALL,GOLD PLATING ON SOLDER AREA ;GOLD PLATING ON CONTACT AREA
4	TERMINAL 3#	1	COPPER ALLOY; NICKEL UNDER PLATING OVERALL,GOLD PLATING ON SOLDER AREA ;GOLD PLATING ON CONTACT AREA
3	TERMINAL 2#	1	COPPER ALLOY; NICKEL UNDER PLATING OVERALL,GOLD PLATING ON SOLDER AREA ;GOLD PLATING ON CONTACT AREA
2	TERMINAL 1#	1	COPPER ALLOY; THE BOTTOM OF THE NICKEL; THE WHOLE GOLD PLATING.
1	HOUSING	1	HIGH TEMPERATURE PLASTIC,COLOR BLACK

UNLESS OTHERWISE SPECIFIED TOLERANCES

DECIMALS:		ANGLES:	
DIM	TOL	DIM	TOL
X.	±0.50	X.	±2°
X.X	±0.30	X.X	±1°
X.XX	±0.20	X.XX	±1'
X.XXX	±0.10	X.XXX	±10"

东莞市溪榜电子有限公司
DONG GUAN XI BANG ELECTRONICS CO., LTD.

DESIGN: Tony
2021.4.10

CHECK:

APPROVED: Andy
2021.4.10

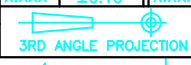
PART NAME:
Φ3.5 PHONE JACK

PART NO.
XB-PJ03506-0746-00000H

SHEET: 1/1 | REV.: A1

DRAWING NO

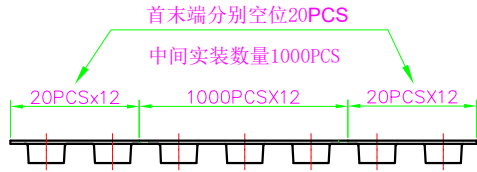
REV.	ECN NO.	DESCRIPTION	DESIGN	DATE



UNIT: mm

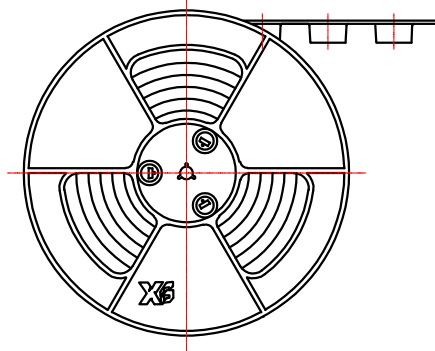
1载带=1000PCS

1外箱=1000PCSX10盘载带=10000PCS



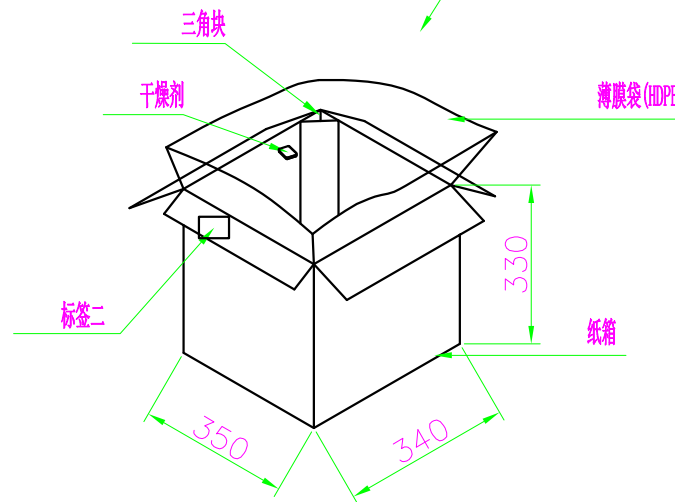
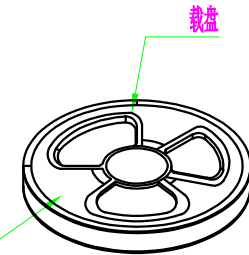
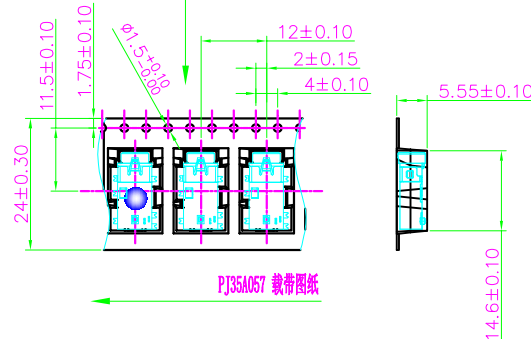
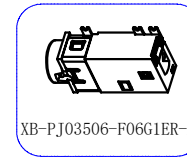
载带引出方向

* 载带包装时请依此引出方向为标准



卷盘包装示意

包材名称	材料及厚度(mm)	规格(mm)
PJ35A057 载带	P.S(白色透明) T=0.30	12500X24.00X5.55
载盘	HI. P.S(蓝色)	φ330X28.40
自粘带	PBT(白色透明)	W=21.30 T=0.06
PE-375X450X0.06-A	PE(白色透明)	770X750X0.035
三角块	A=A+	260X300
ZK-400X400X330-A	K=K t=4	350X340X330



UNLESS OTHERWISE SPECIFIED TOLERANCES		东莞市溪榜电子有限公司 DONG GUAN XI BANG ELECTRONICS CO., LTD.			
DECIMALS:	ANGLES:			DESIGN:	Tony 2021.2.24
DIM	TOL	DIM	TOL	CHECK:	PART NAME: Φ3.5 PHONE JACK -包装图
X.	±0.50	X.	±2°		
X.X	±0.20	X.X	±1°		
X.XX	±0.10	X.XX	±1'		
X.XXX	±0.05	X.XXX	±1"	APPROVED	Andy 2021.2.24
3RD ANGLE PROJECTION		UNIT:	mm	PART NO. XB-PJ03506-0746-00000H	
				SHEET: 1/1 REV.: A1	
				DRAWING NO	

REV.	ECN NO.	DESCRIPTION	DESIGN	DATE
8				
7				
6				
5				