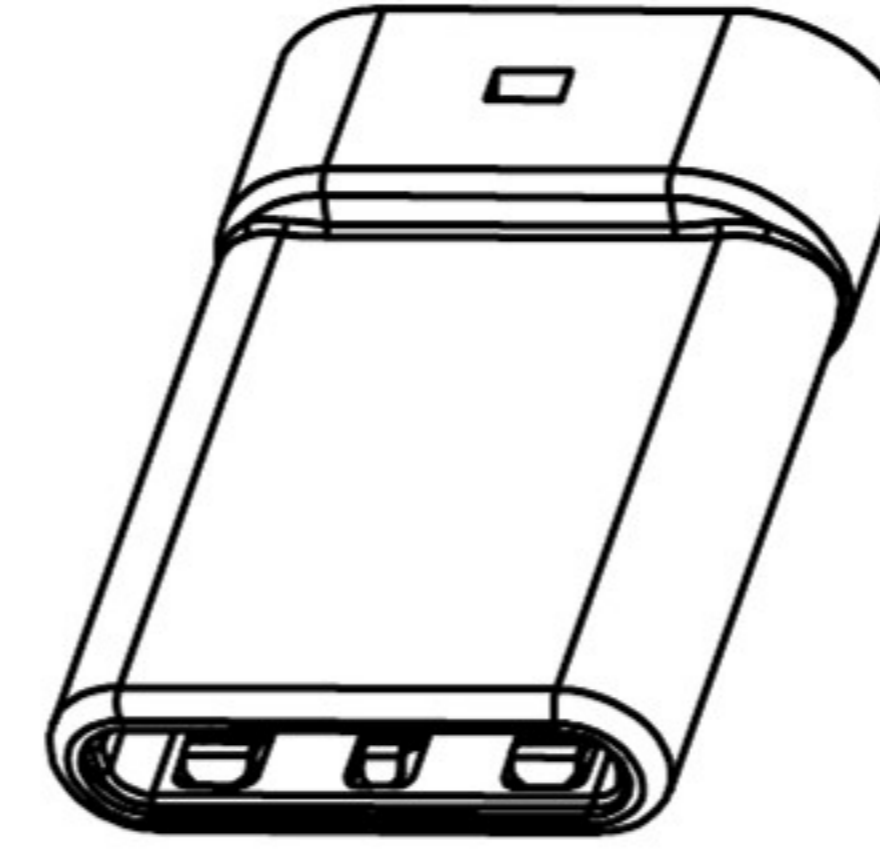


SECT B-B

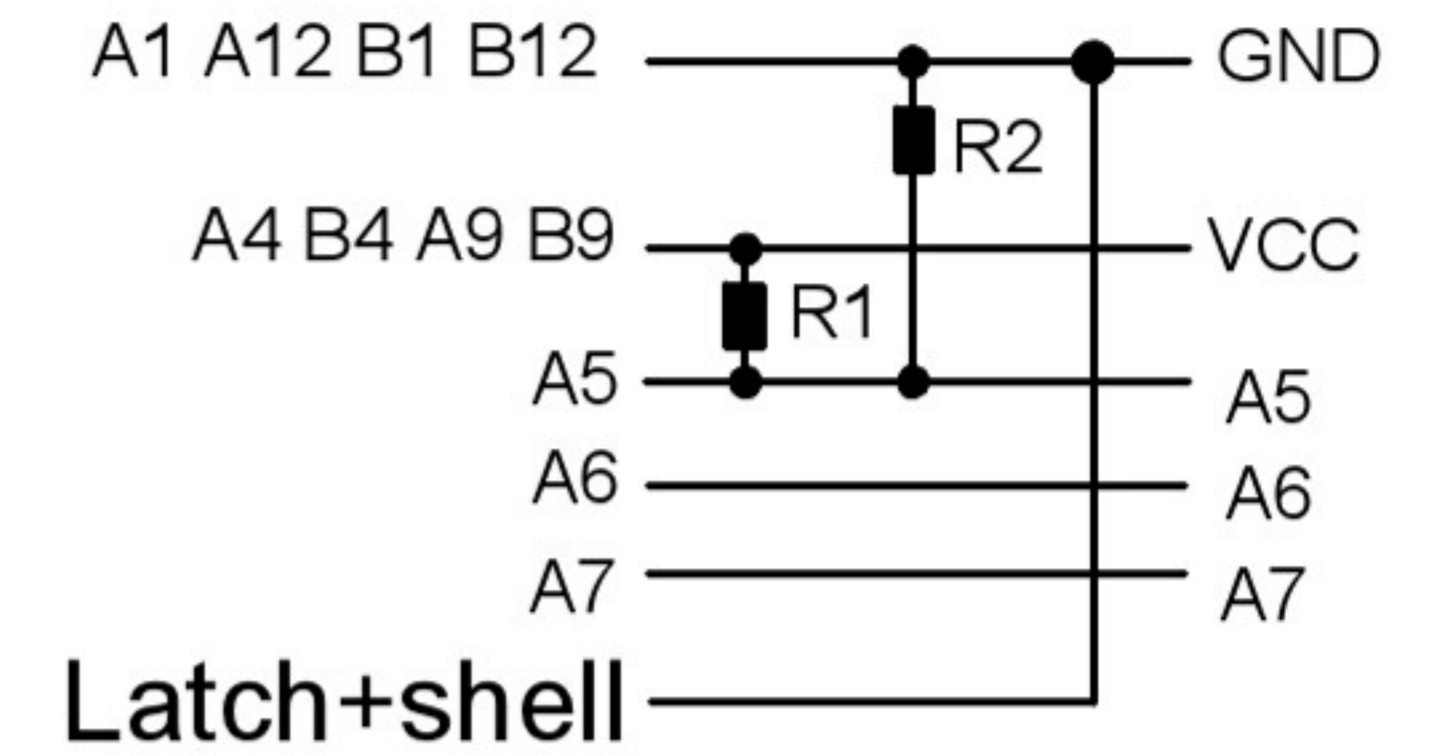


P/N	R/C
U261-24XXN-4B0151	R1(56KΩ)
U261-24XXN-4B0178	R2(6.98KΩ)

U261-24XXN-4B0151

C TYPE PLUG:

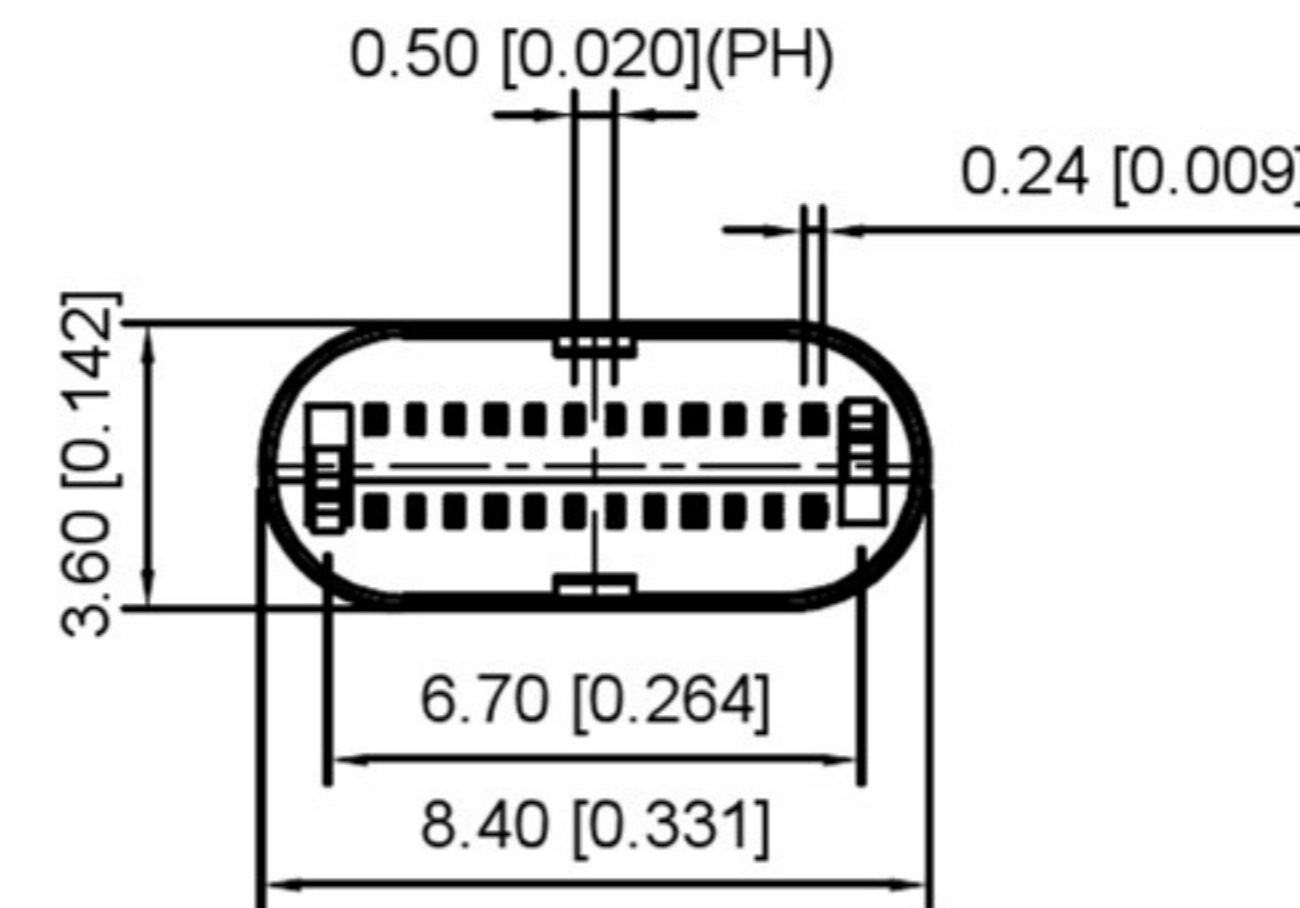
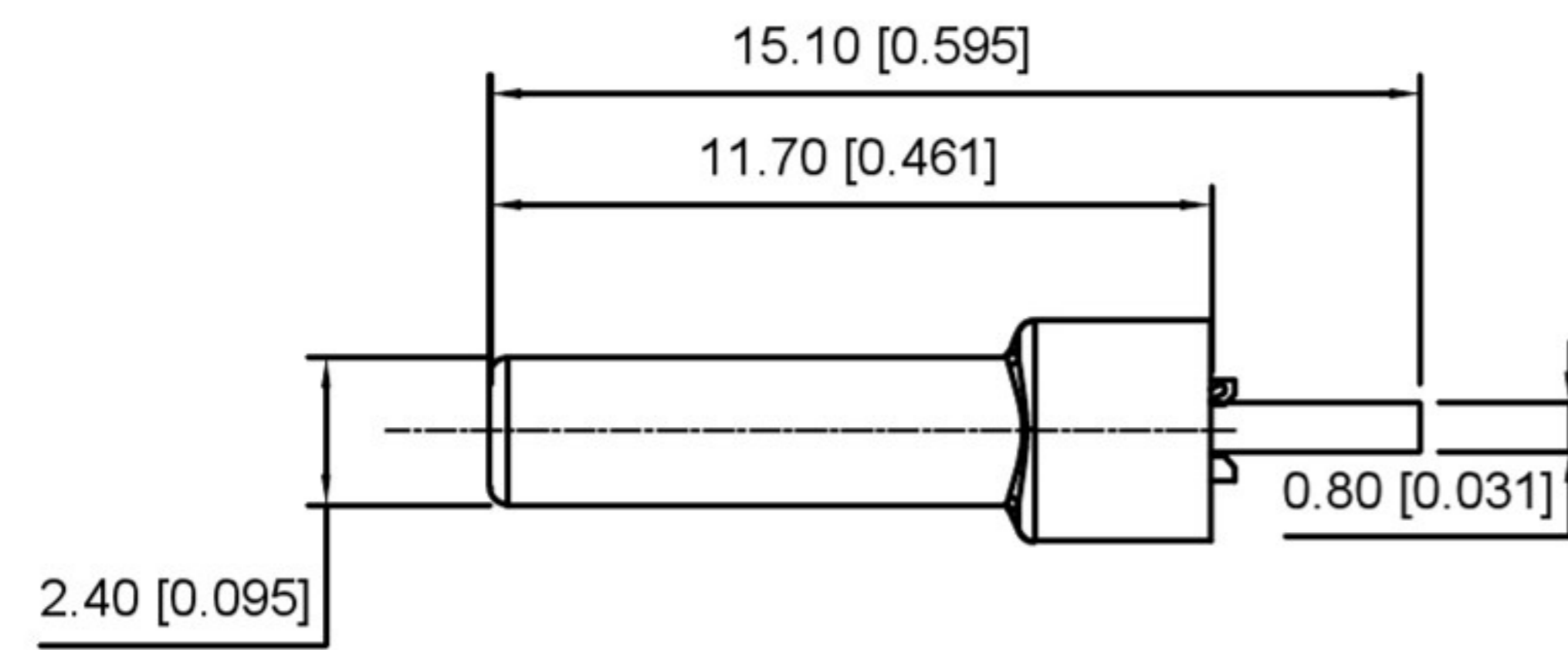
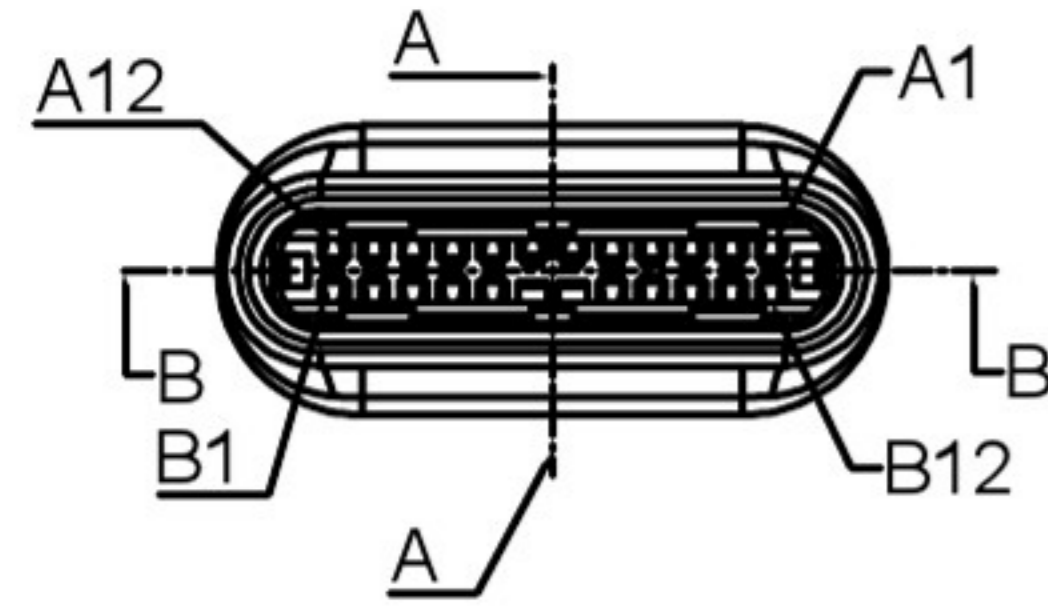
PCB:



1: Au
2: Ni

1: Au1u"
2: Au3u"
4: Au15u"
5: Au30u"

Latch+shell



REMARKS:

1. CONTACT INSERTION AND WITHDRAW FORCE :

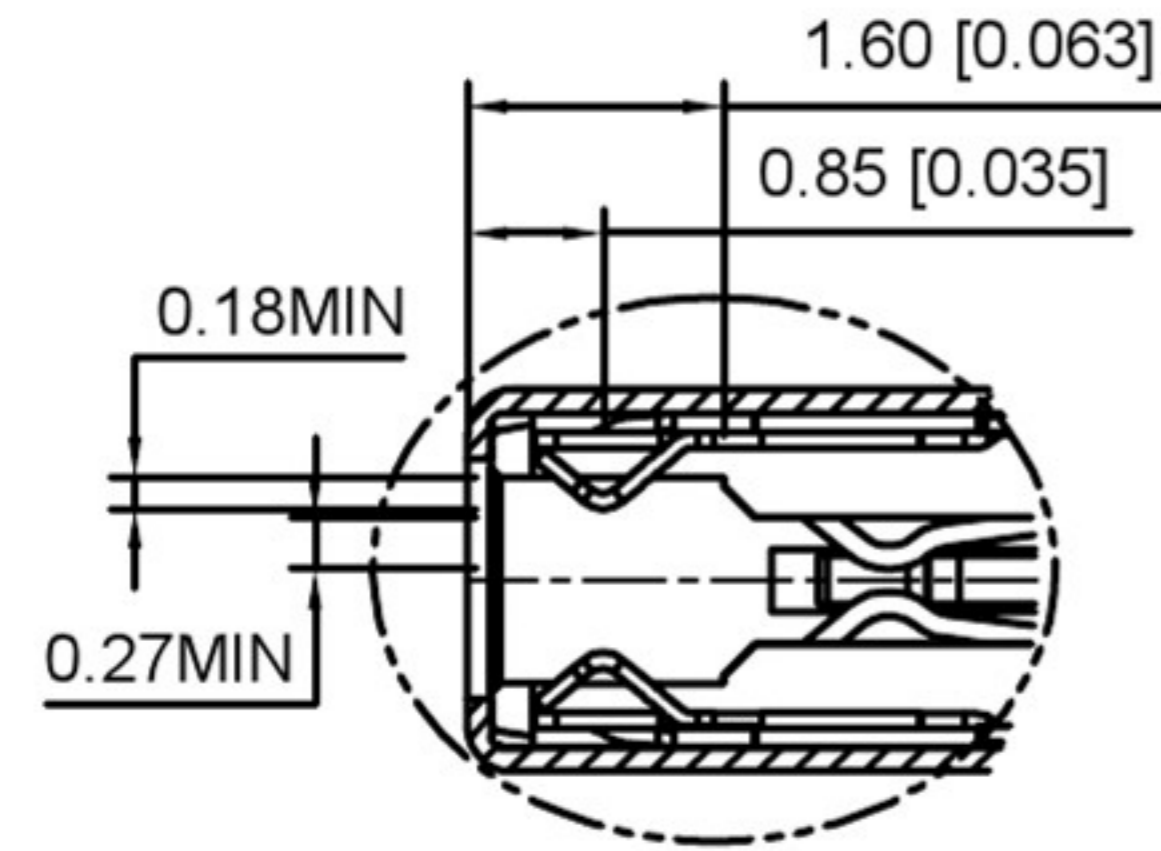
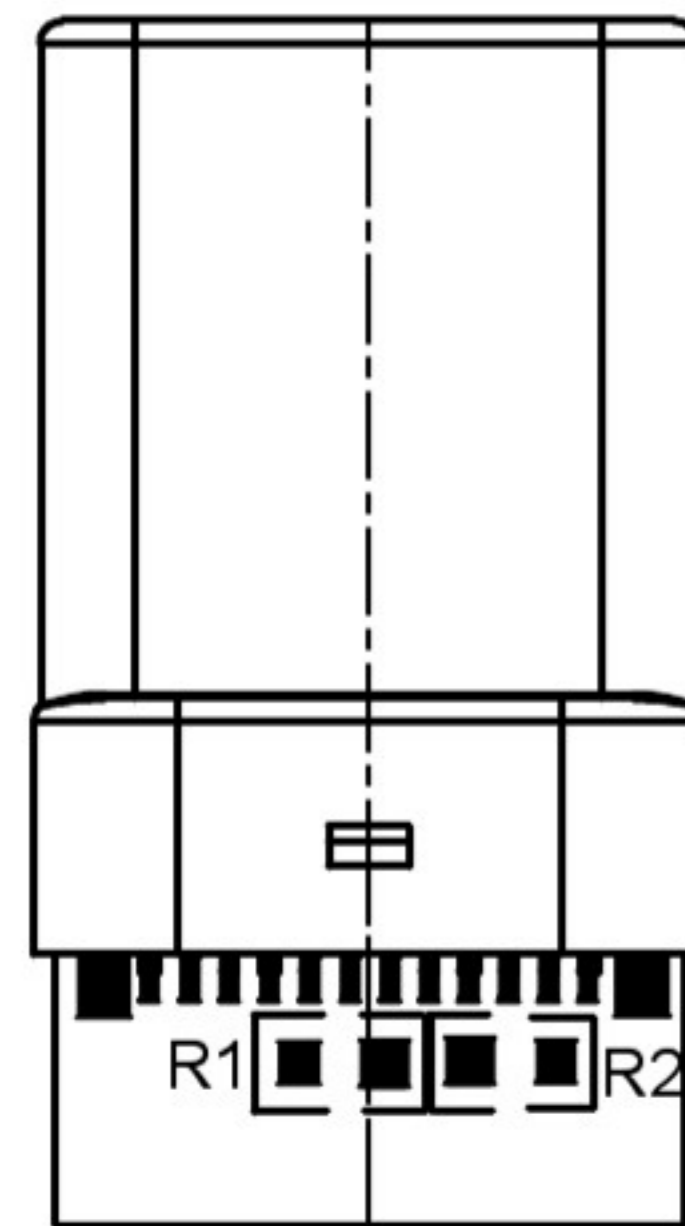
1. Insertion force : 5N-20N max.
2. Withdrawal force : 8N-20N.
3. Durability : 10000Cycles.

2. ELECTRIC PROPERTY :

1. Contact current rating : 3A.
2. Dielectric Strength : 100V AC(RMS).
3. Insulation Resistance : 100 megaohms min.
4. Contact resistance :
40m0hms MAX.FOR VBUS,GND AND OTHER CONTACT
50m0hms MAX.AFTER ENVIRONMENT TEST

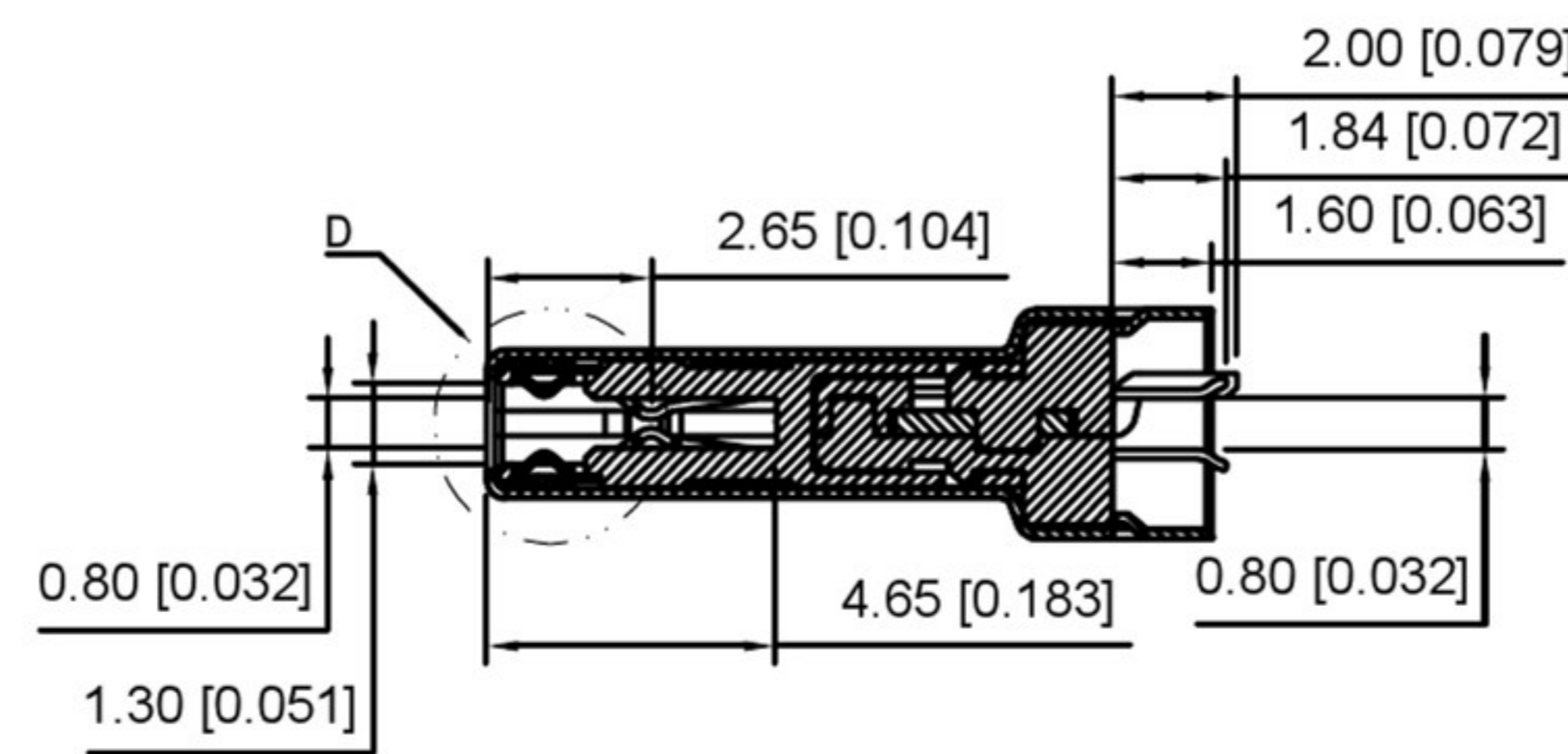
3. AMBIENT TEMPERATURE :

1. Operating temperature : -55°C to +85°C.



D

2:1



SECT A-A

A12	A11	A10	A9	A8	A7	A6	A5	A4	A3	A2	A1
GND	RX2+	RX2-	Vbus	SBU1	D-	D+	CC	Vbus	TX1-	TX1+	GND
GND	TX2+	TX2-	Vbus	Vconn			SBU2	Vbus	RX1-	RX1+	GND
B1	B2	B3	B4	B5	B6	B7	B8	B9	B10	B11	B12

ITEM	DESCRIPTION	MATERIAL	REMARKS
6	Shrapnel	SUS T=0.10mm	
5	Shell	SUS T=0.15mm	Ovep-plating: Ni
4	Terminal	C7025 T=0.15mm	Ovep-plating: Au Ni/Sn
3	Latch	SUS T=0.4mm	
2	Housing	LCP	UL94-0
1	Housing Stopper	LCP	UL94-0

DSND SCALE: N/A MODEL TYPE: USB 3.0

DWN VIEW: PART NO.:

CHKD UNIT: mm/in DWG NO.:

APPD SIZE: A4 XB-U261-24XXN-4B0151



DONG GUAN XI BANG ELECTRONIC CO., LTD

WEIGHT SHEET REVISION
1/1 A0

REVISIONS

UNSPECIFIED TOLERANCES

www.alpsr.com www.gdxjdz.com www.xbswitch.com

DATE REVISED APPROVED

ANGLAR ±5°
L ≤ 4 ±0.2
4 < L ≤ 16 ±0.3
16 < L ≤ 63 ±0.4
L > 63 ±0.5