

XB Product features

Voltage: < 12V

Current: < 20mA

Conduction time: 2ms

Closed circuit resistance: < 1 ohm

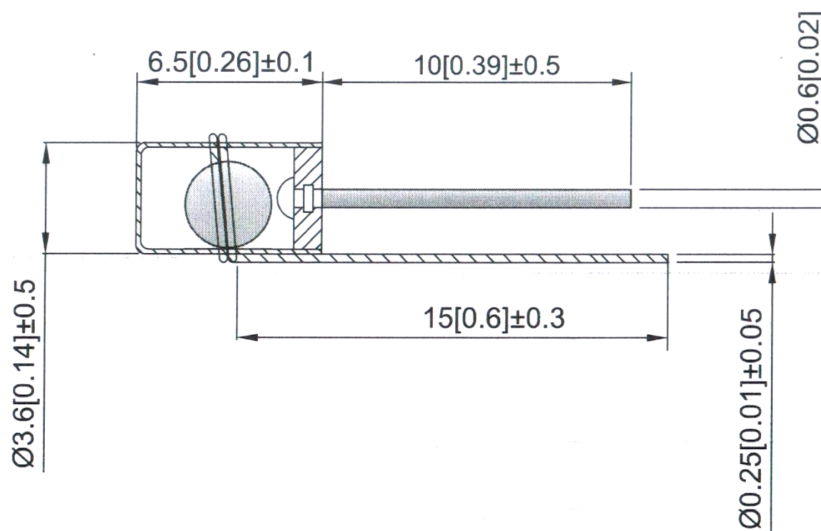
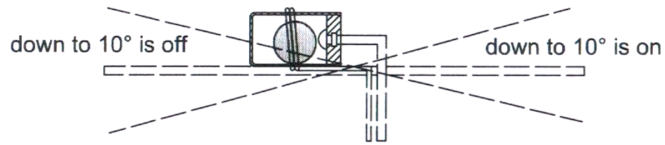
Open circuit resistance: > 1 ohm

High temperature resistance: 120 degrees

Terminal tension: 500gf / min

Humidity: 25~95%RH

Operating life: 100000 times



1. Sw-105a is ball type single direction tilt inductive trigger switch.

1. Sw-105a为球型单向倾斜感应触发开关。

2. When the guide end (no pin end) of the product is inclined and the inclination angle is greater than 10 degrees, the product is in the open circuit (off) state; When the horizontal state of the product changes, the trigger end (gold-plated pin end) is lower than the horizontal and the tilt angle is greater than 10 degrees, the product is in the closed circuit (on) state.

2.当产品导向端（无销端）倾斜且倾斜角度大于10度时，产品处于开路（断开）状态；当产品水平状态发生变化时，触发端（镀金销端）低于水平且倾斜角度大于10度，产品处于闭路（on）状态。

3. When placed horizontally, shaking can be easily triggered; When there is no foot down, shaking is not easy to trigger.

3.水平放置时，易触发震动；没有脚的时候，不容易引起摇晃。

4. The product of this specification is completely sealed, waterproof and dustproof.

4.本规范产品完全密封、防水、防尘。

5. Under normal conditions, the service life of the switch can reach 100000 times.

5.正常情况下，开关使用寿命可达100,000次。

6. This product is made of environment-friendly metal material with stable performance. XB

6.本产品采用环保型金属材料，性能稳定。

⑥	Plug	1	PC		
⑤	Ball	1	Brass	SC	
④	Ball	1	Brass	SC&GP2U	
③	Pin A	1	Brass	SILVERING	
②	Pin B	1	Brass	GP 2U	
①	Copper Pipe	1	Brass	SC&GP2U	
ITEM	PAPT NAMF	QTY	MATERIAL	FINISHING	REMARK

DSND		SCALE: N/A	MODEL TYPE: Vibration switch
DWN		VIEW:	PART NO.:
CHKD		UNIT: mm/in	DWG NO.:
APPD		SIZE: A4	SW-105AC-10G
		WEIGHT	SHEET
		1/1	REVIS
			A0

				ANGLAR	±5°
				L ≤ 4	±0.2
				4 < L ≤ 16	±0.3
				16 < L ≤ 63	±0.4
				L > 63	±0.5
	DATE	REVISED	APPROVED	UNSPECIFIED TOLERANCES	
www.alpsr.com www.gdxjdz.com www.xbswitch.com					



DONG GUAN XI BANG ELECTRONIC CO., LTD