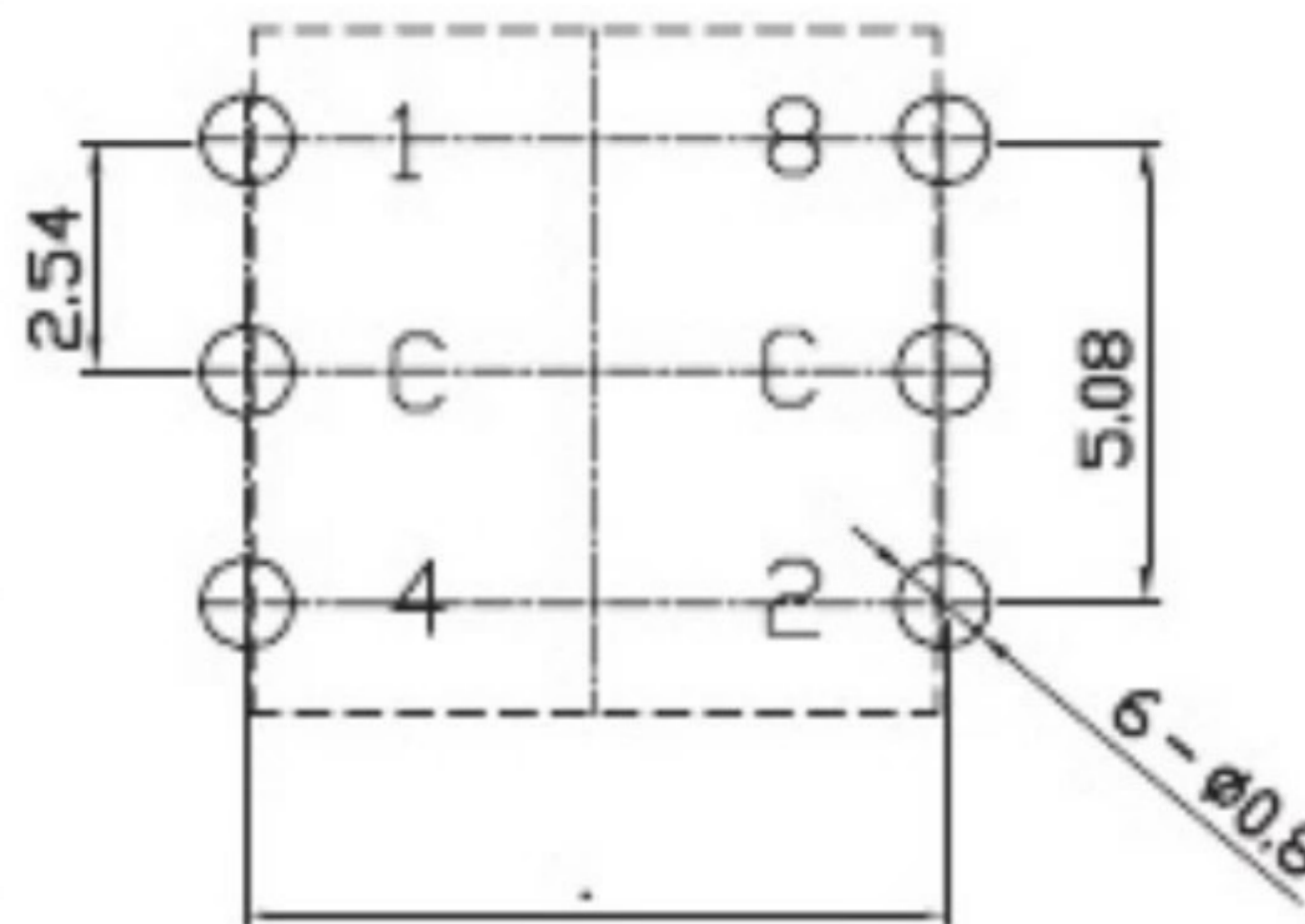
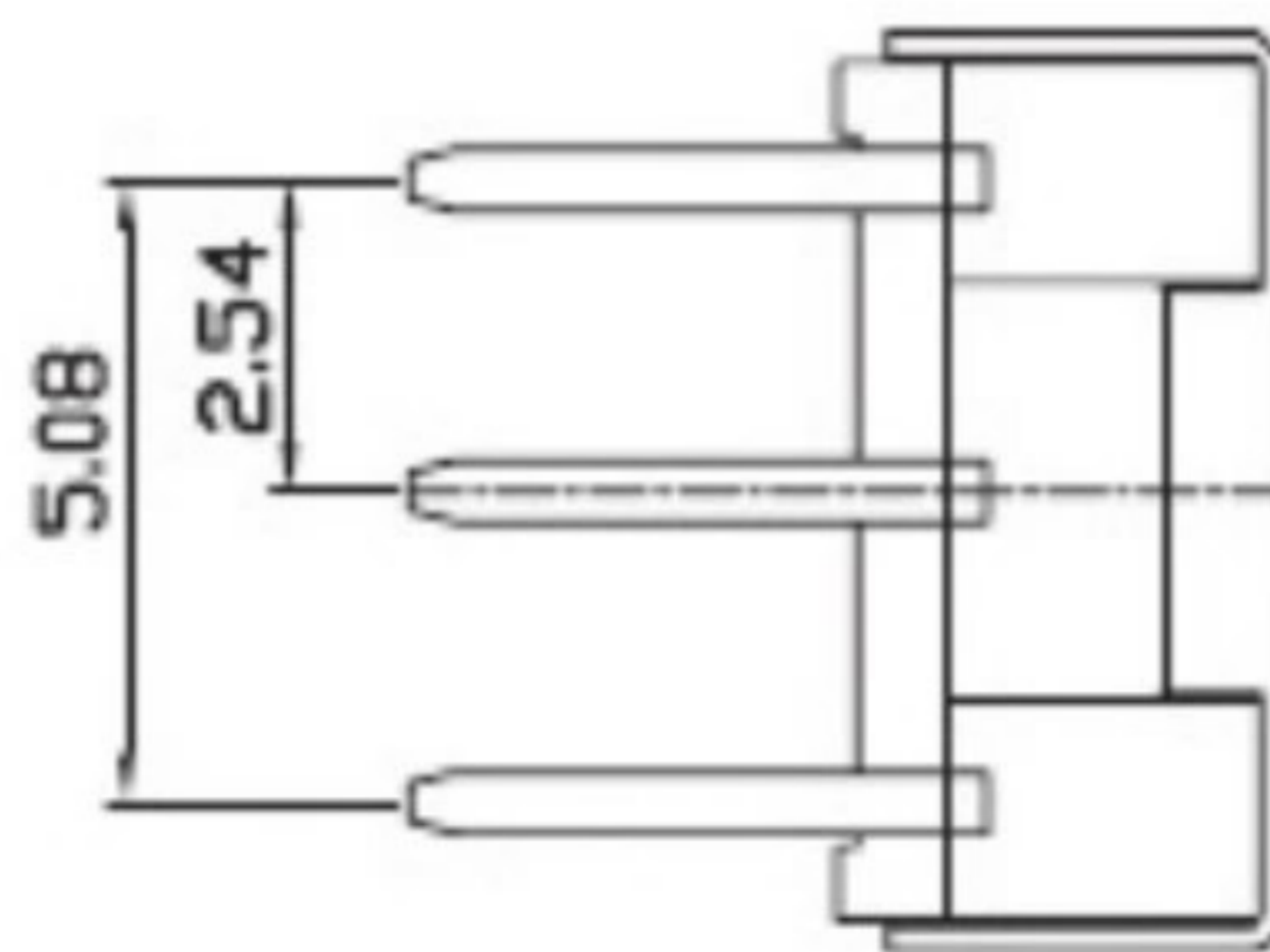
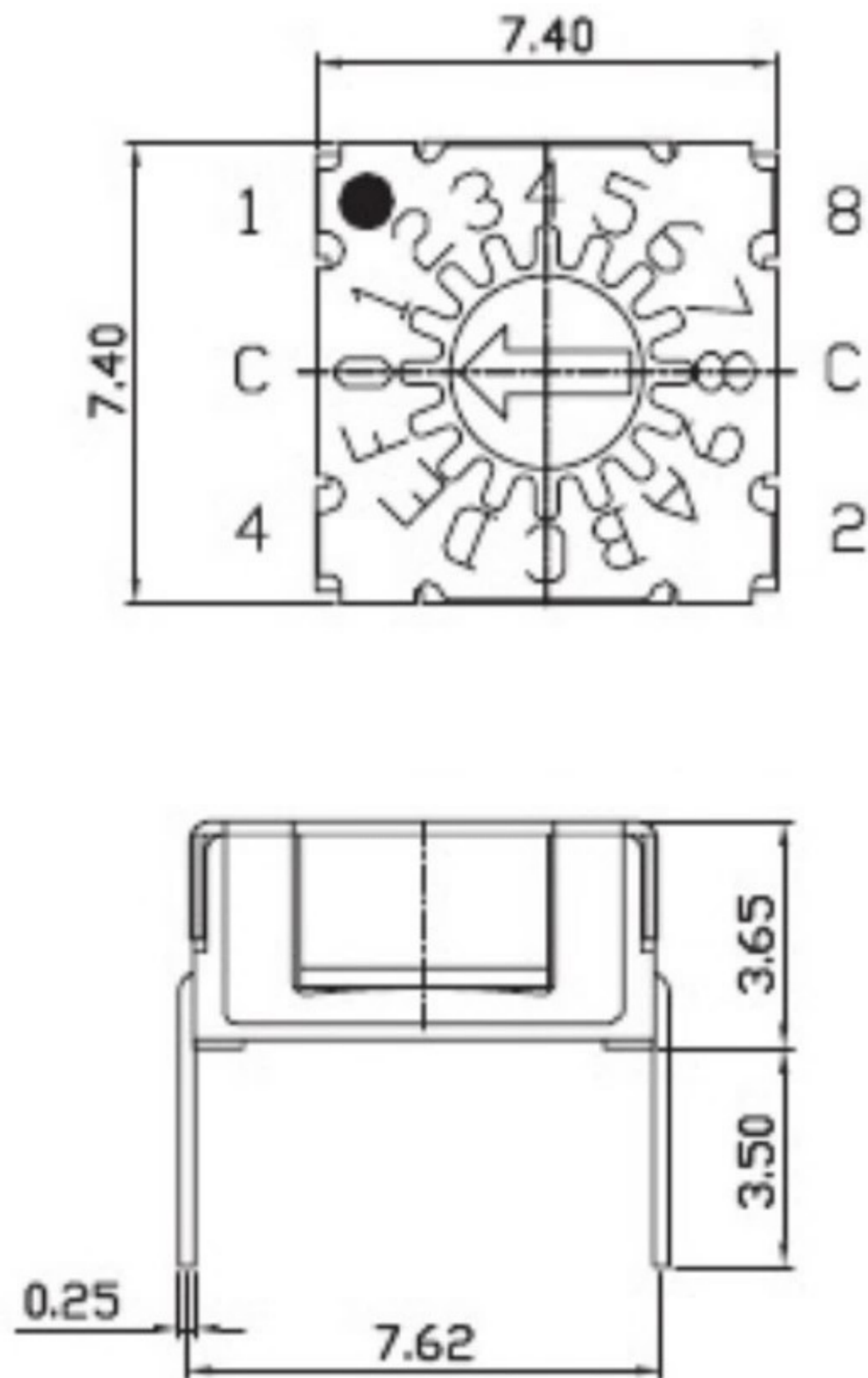


CAD FILE:

ROHS



NO.	PARTS	MATERIALS	Q'TY	FINISH	TOLERANCE UNLESS SPECIFIED		DESCRIPTIONS OF REVISION	
8					WITHIN 1.5mm : ±0.1mm	A	2012-9-25	初版
7					OVER 1.5mm : ±0.2mm	ISSUE	DATE	ZENQ. CHEN
6					TITLE : 旋转编码开关			
5					MODEL: Rotary Code Switch		UNIT : mm	DRWG NO.:XB-STAR-16
4	CONTACT	SUS	1	Ag CLAD	SCALE: 5:1		DWN.	JUN. YANG
3	CASE	PPA/BRASS SRTIP	1	BLACK/Ag PLATED	DONG GUAN XI BANG ELECTRONICS CO., LTD.		CHK'D	DONG. PANG
2	COVER	STEEL STRIP	1	Ni PLATED	APPD.		ZENQ. CHEN	2012-9-25
1	KNOB	PPA	1	BLACK				