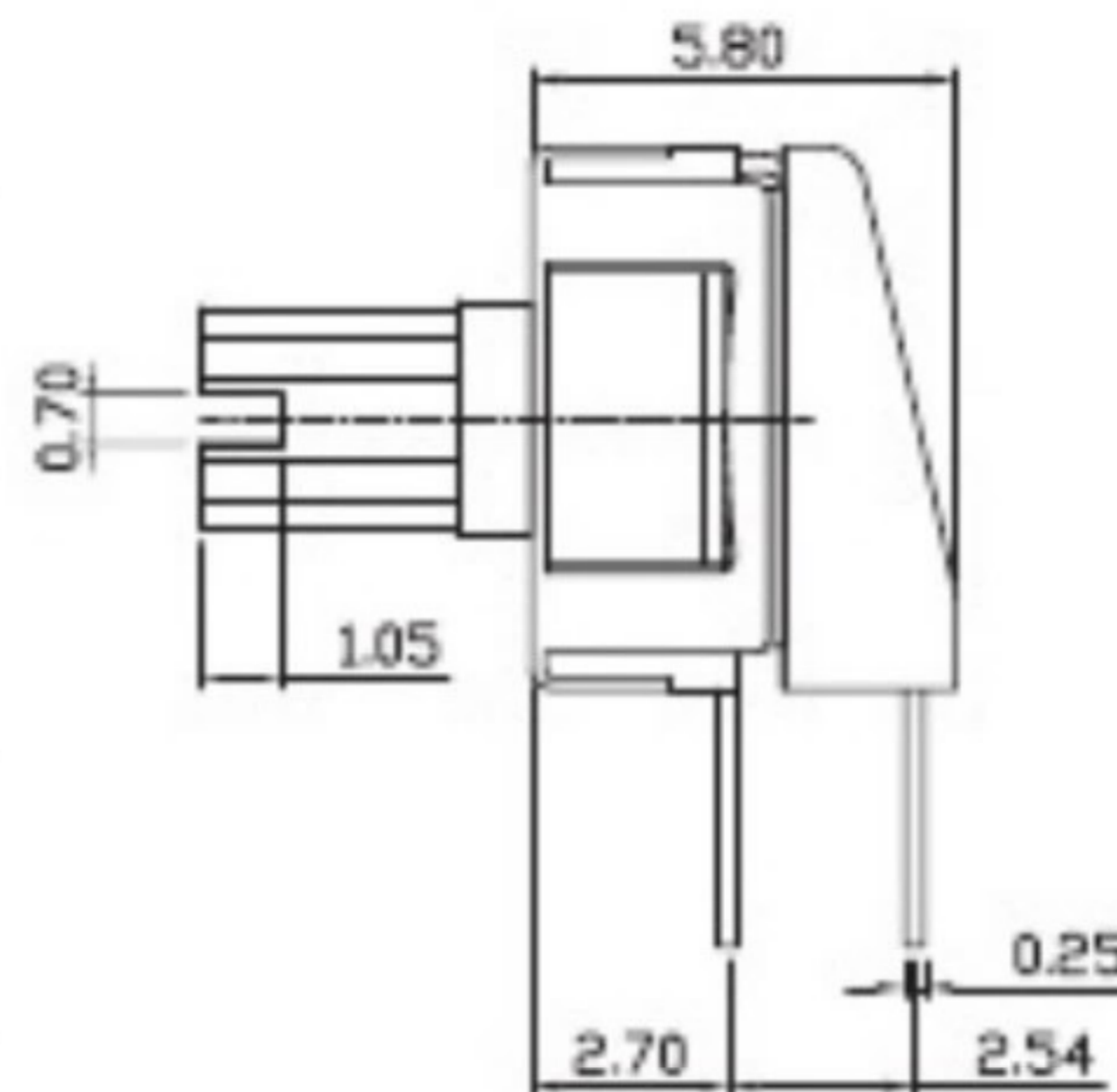
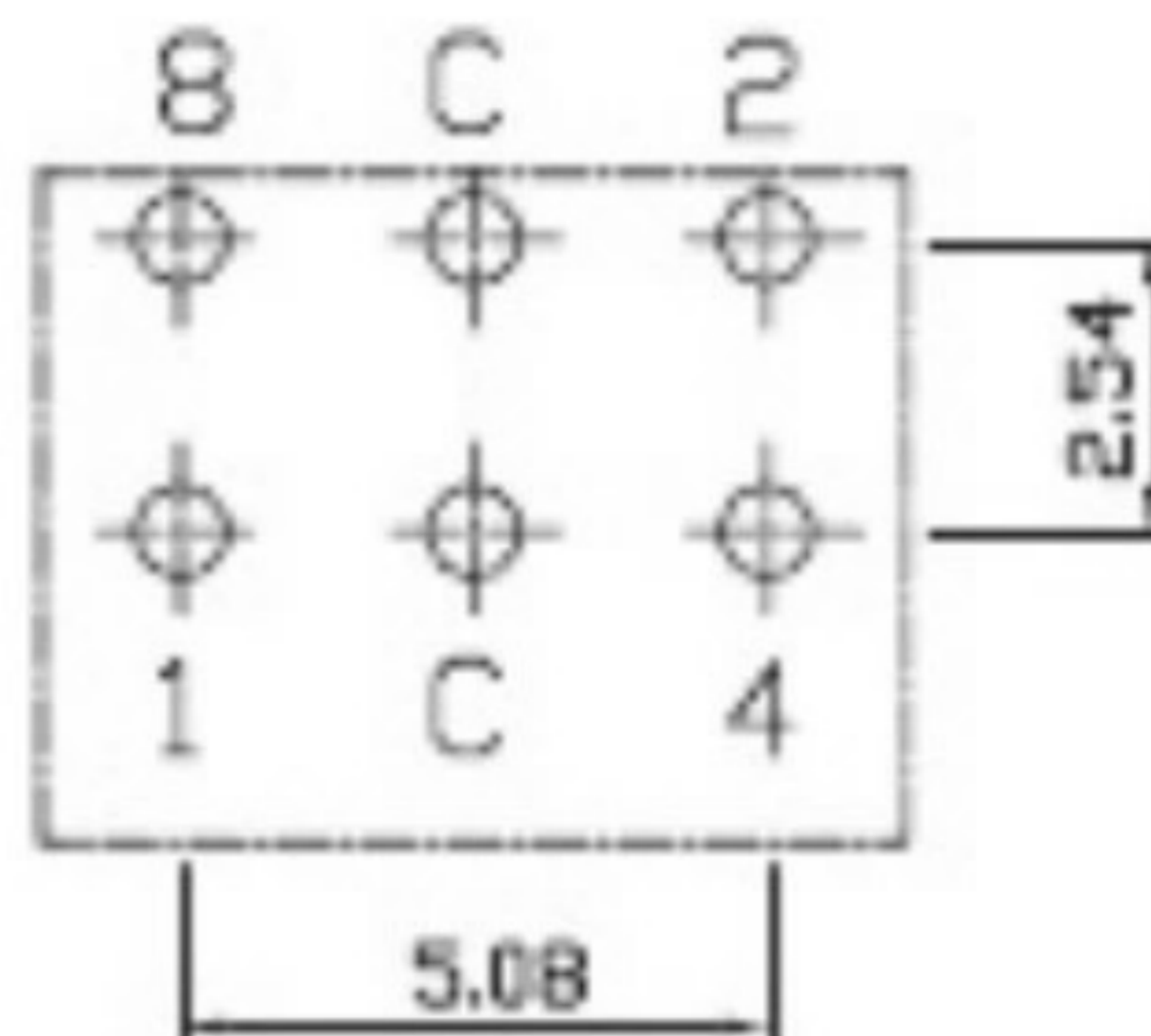
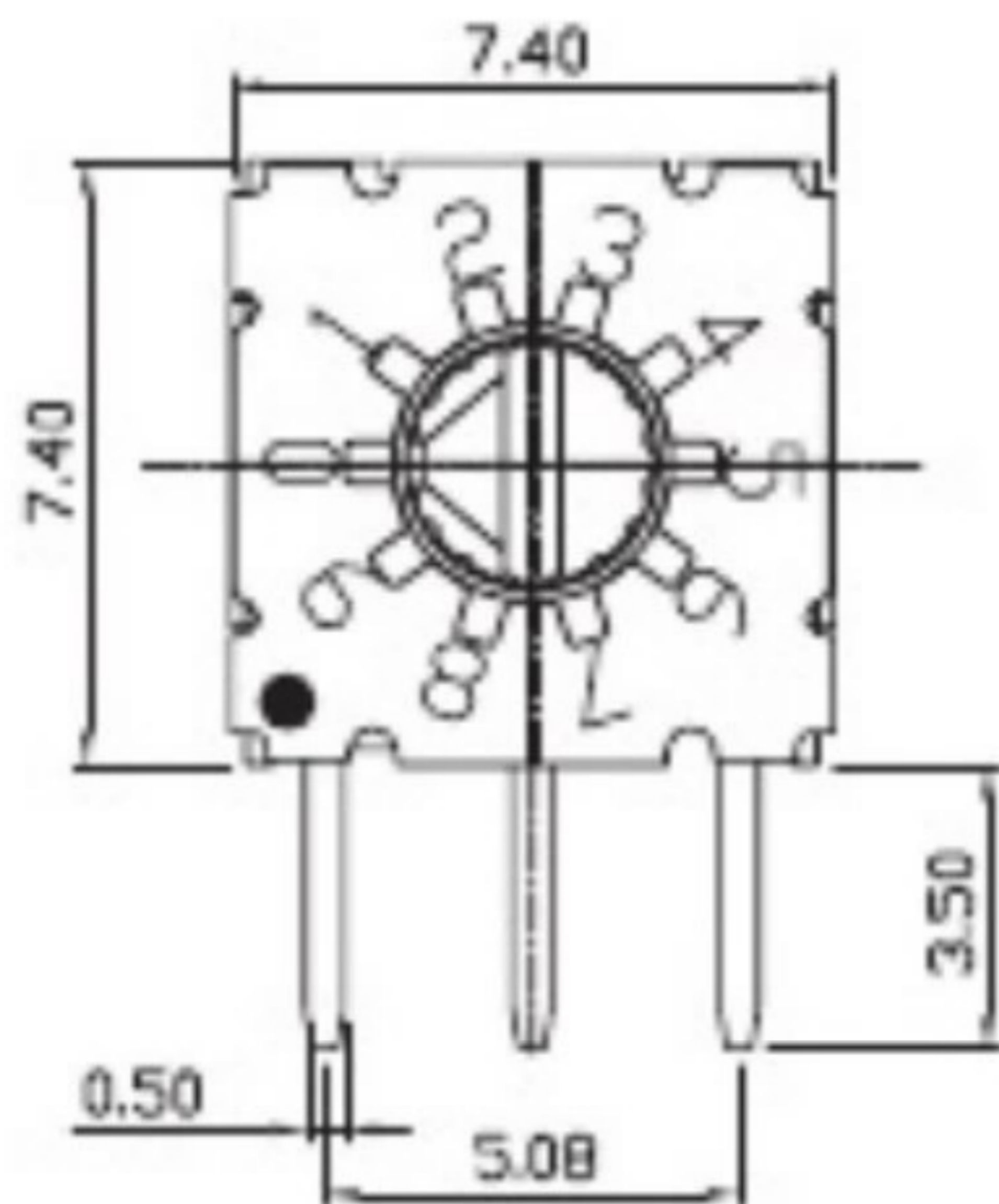



CAD FILE:

ROHS



NO.	PARTS	MATERIALS	Q'TY	FINISH	TOLERANCE UNLESS SPECIFIED					
8					TOLERANCE UNLESS SPECIFIED					
7					TOLERANCE UNLESS SPECIFIED					
6					WITHIN 1.5mm : ±0.1mm	A	2012-9-25	初版	ZENQ. CHEN	
5					OVER 1.5mm : ±0.2mm	ISSUE	DATE	DESCRIPTIONS OF REVISION	APPD.	
4	CONTACT	SUS	1	Ag CLAD	TITLE : 旋转编码开关			UNIT : mm	DRWG NO.: XB-SKCR-10H1	
3	CASE	PPA/BRASS SRTIP	1	BLACK/Ag PLATED	MODEL: Rotary Code Switch			SCALE: 5:1	DWN.	JUN. YANG 2012-9-25
2	COVER	STEEL STRIP	1	Ni PLATED	 东莞市溪榜电子有限公司 DONG GUAN XI BANG ELECTRONICS CO., LTD.			CHK'D	DONG. PANG 2012-9-25	
1	KNOB	PPA	1	BLACK				APPD.	ZENQ. CHEN 2012-9-25	