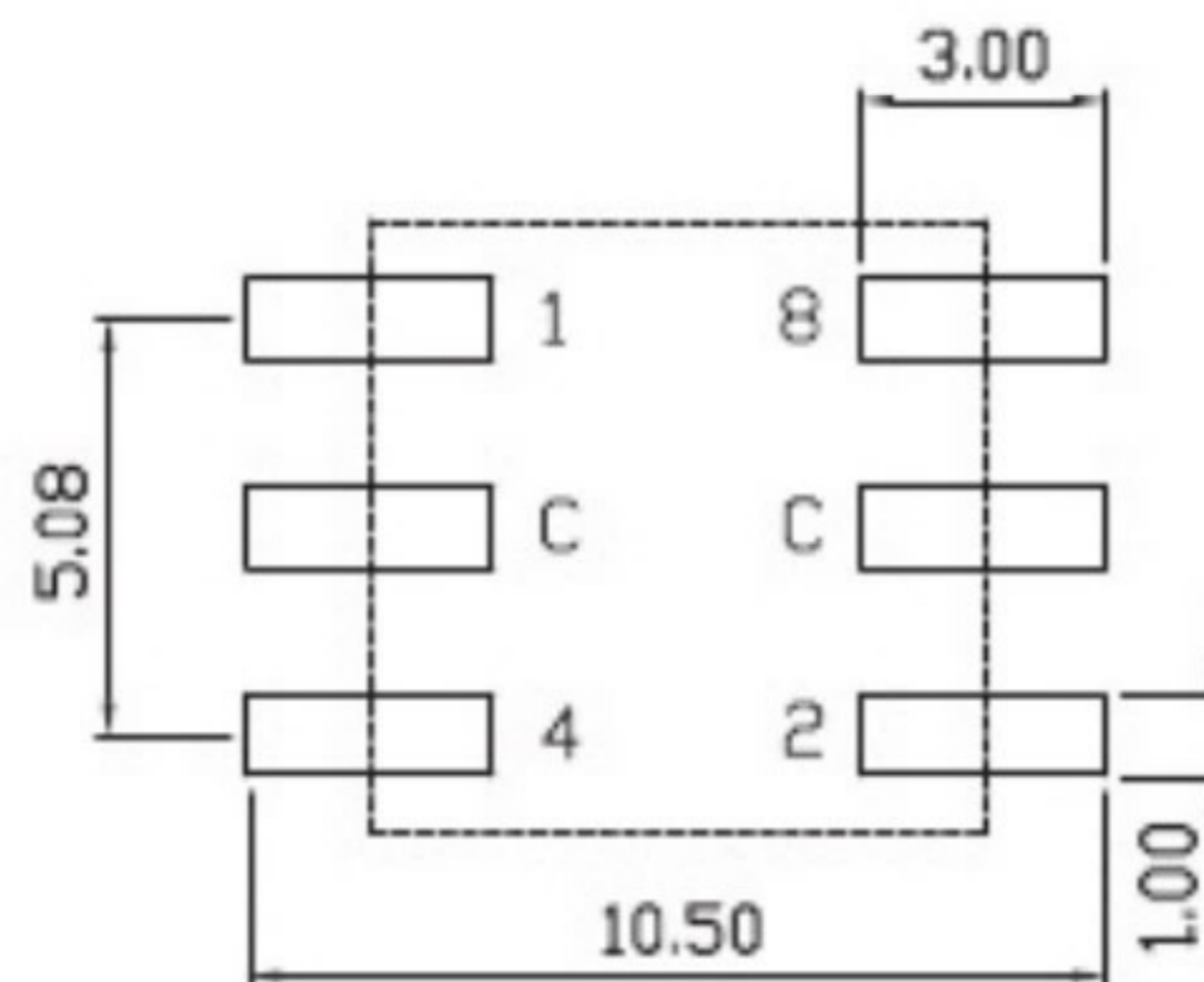
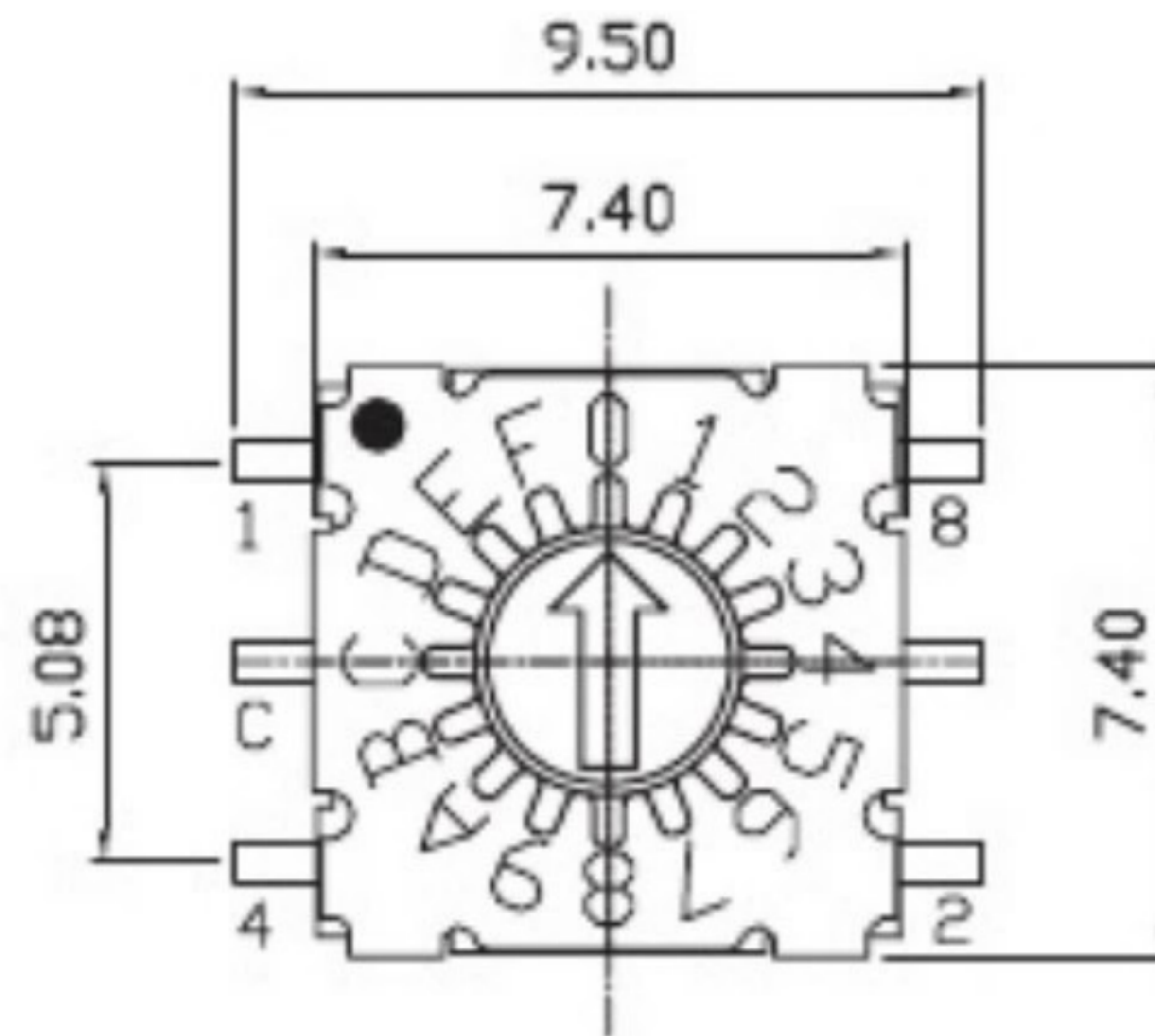
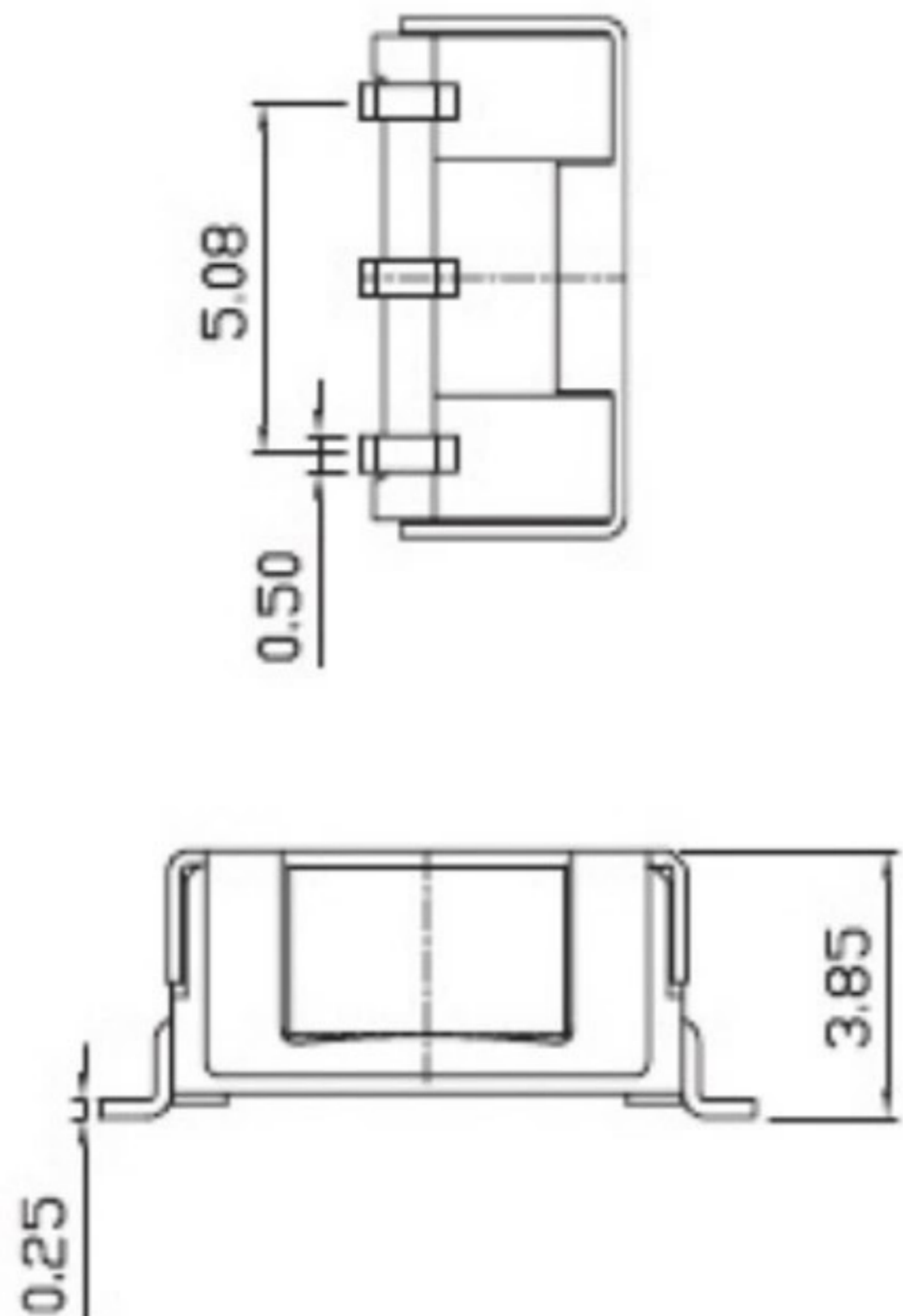



CAD FILE:

**ROHS**



NO.	PARTS	MATERIALS	Q'TY	FINISH	TOLERANCE UNLESS SPECIFIED		DESCRIPTIONS OF REVISION		
8					WITHIN 1.5mm : ±0.1mm	A	2012-9-25	初版	
7					OVER 1.5mm : ±0.2mm	ISSUE	DATE	ZENQ. CHEN	
6					APPD.				
5					TITLE : 旋转编码开关				
4	CONTACT	SUS	1	Ag CLAD	MODEL: Rotary Code Switch		UNIT : mm	DRWG NO.: XB-SKAR-16S	
3	CASE	PPA/BRASS SRTIP	1	BLACK/Ag PLATED	SCALE: 5:1	DWN.	JUN. YANG	2012-9-25	
2	COVER	STEEL STRIP	1	Ni PLATED	CHK'D	DONG. PANG	2012-9-25		
1	KNOB	PPA	1	BLACK	APPD.	ZENQ. CHEN	2012-9-25		
					 <b>东莞市溪榜电子有限公司</b> DONG GUAN XI BANG ELECTRONICS CO., LTD.				