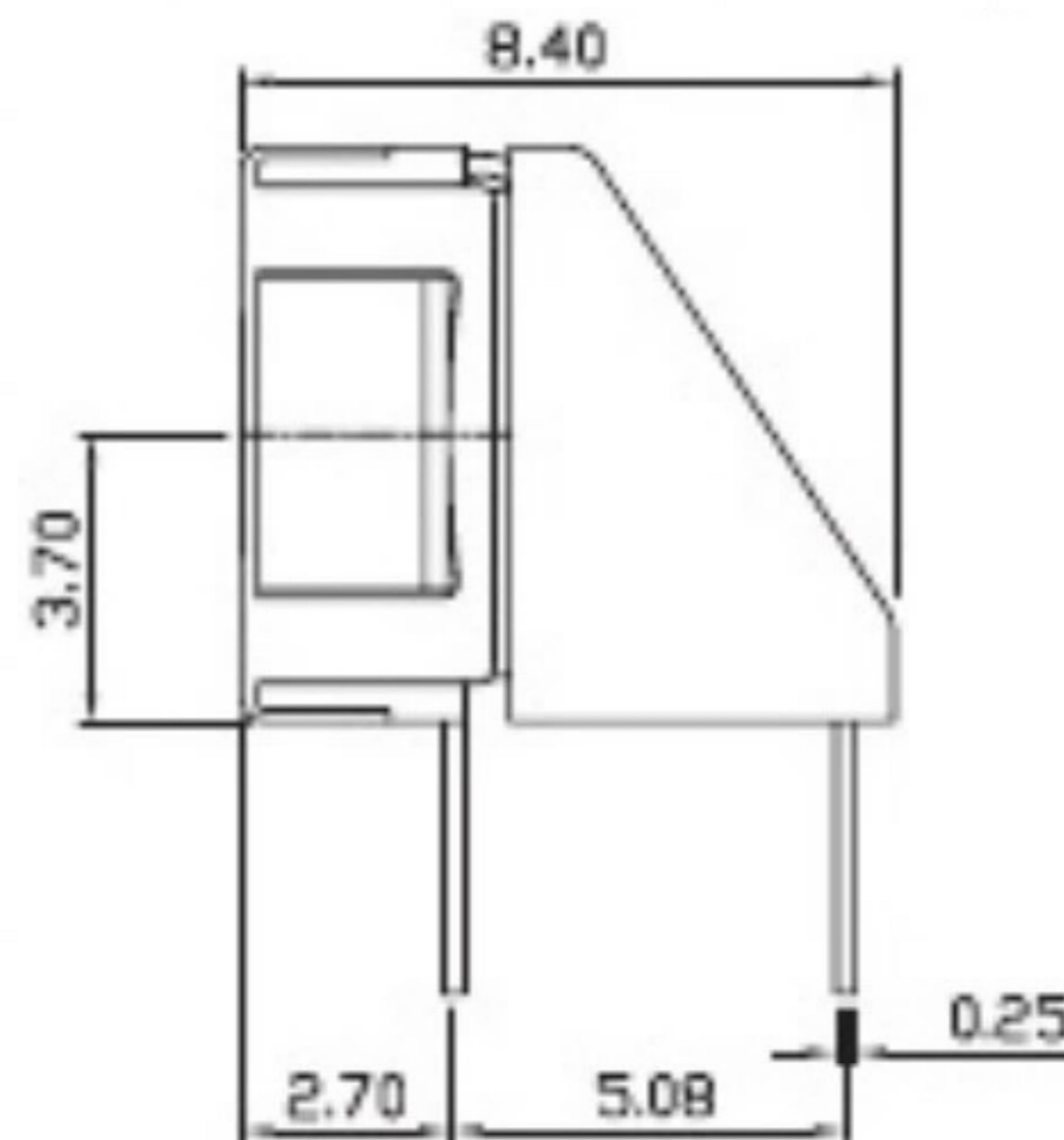
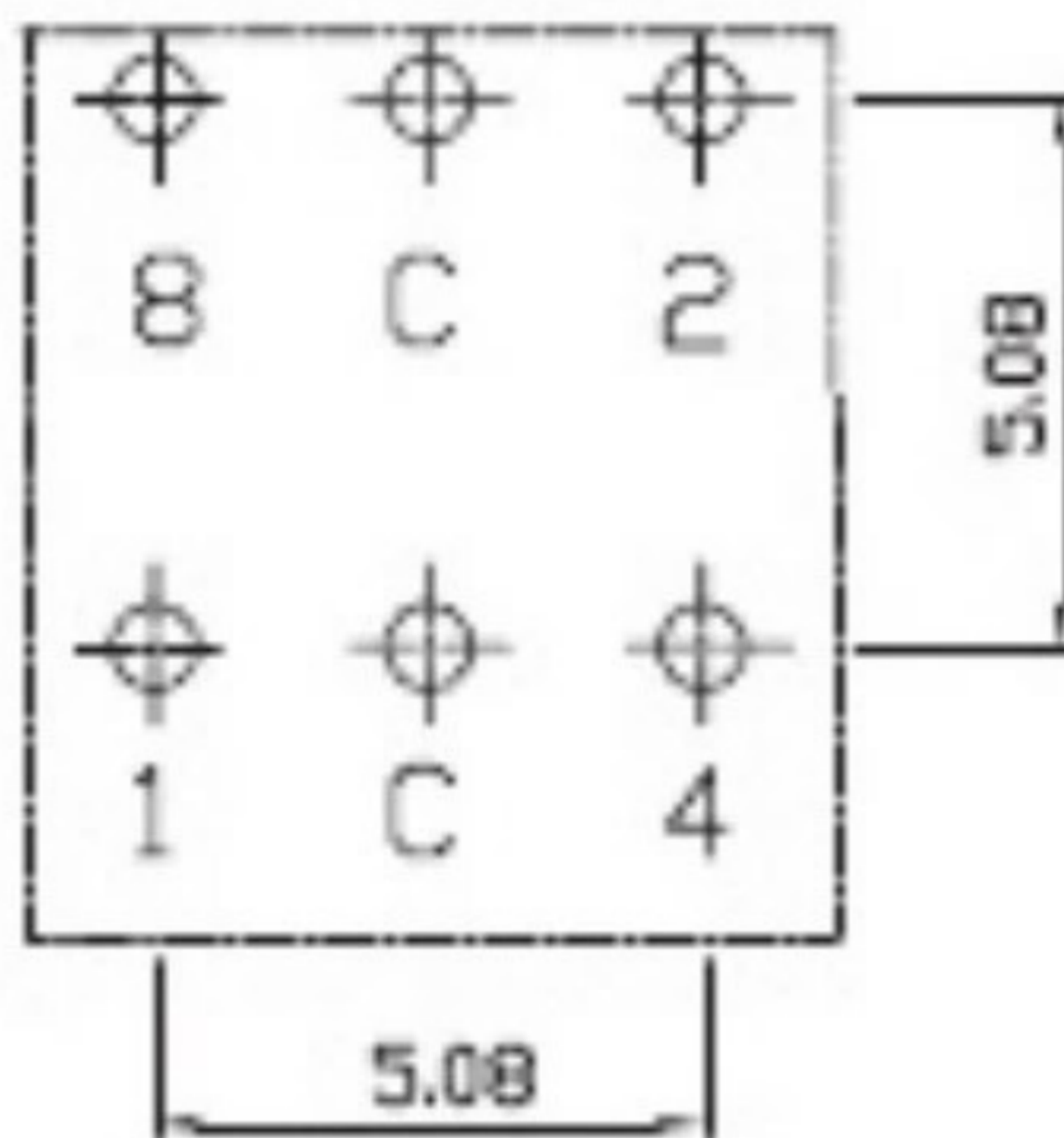
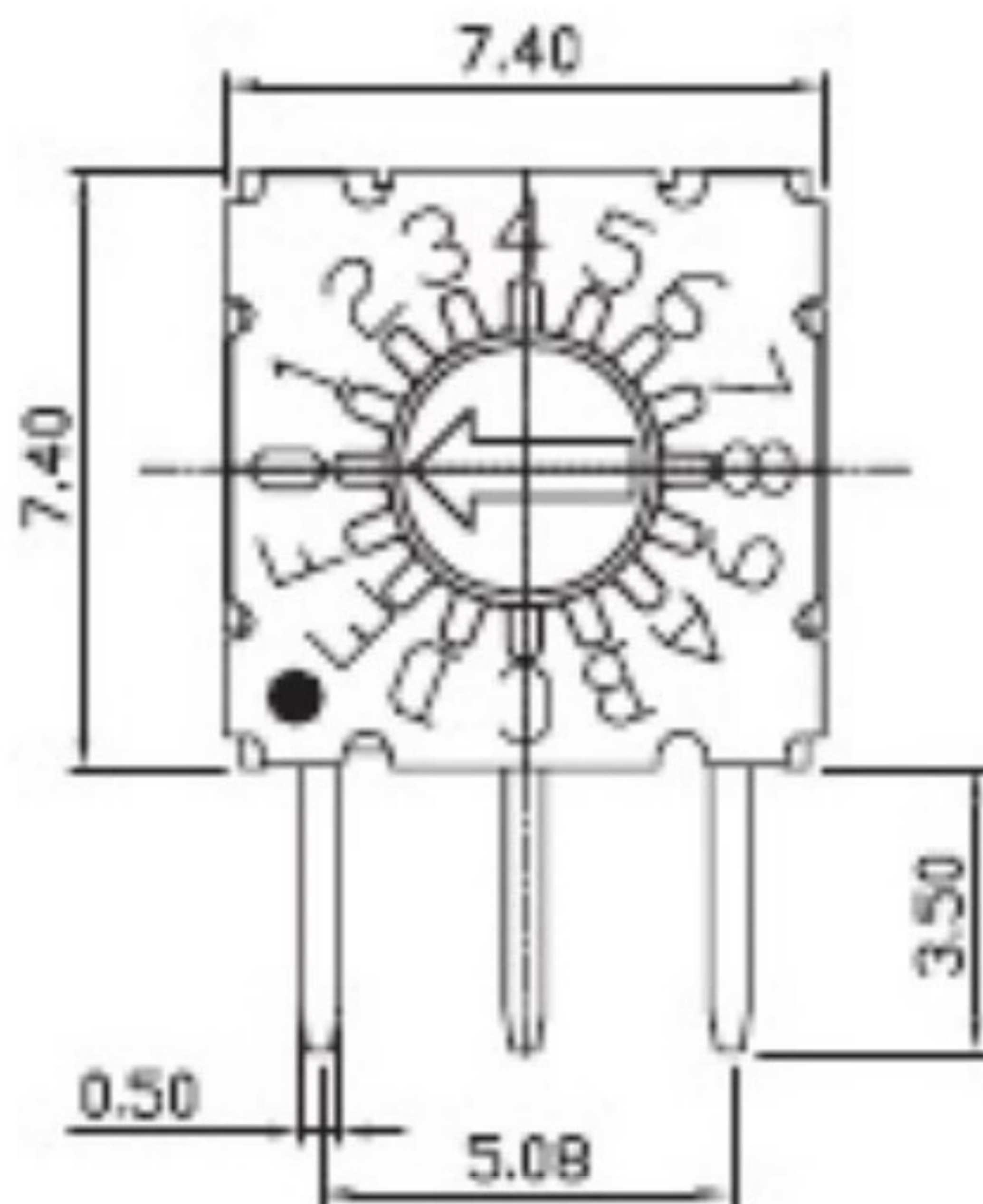


CAD FILE:

ROHS



NO.	PARTS	MATERIALS	Q'TY	FINISH	TOLERANCE UNLESS SPECIFIED						
8					WITHIN 1.5mm : ±0.1mm OVER 1.5mm : ±0.2mm						
7											
6					A	2012-9-25	初版		ZENQ. CHEN		
5					ISSUE	DATE	DESCRIPTIONS OF REVISION		APPD.		
4	CONTACT	SUS	1	Ag CLAD	TITLE : 旋转编码开关			UNIT : mm	DRWG NO.: XB-SKAR-16H		
3	CASE	PPA/BRASS SRTIP	1	BLACK/Ag PLATED	MODEL: Rotary Code Switch			SCALE: 5:1	DWN.	JUN. YANG	2012-9-25
2	COVER	STEEL STRIP	1	Ni PLATED	东莞市溪榜电子有限公司 DONG GUAN XI BANG ELECTRONI CS CO., LTD.			CHK'D	DONG. PANG	2012-9-25	
1	KNOB	PPA	1	BLACK				APPD.	ZENQ. CHEN	2012-9-25	