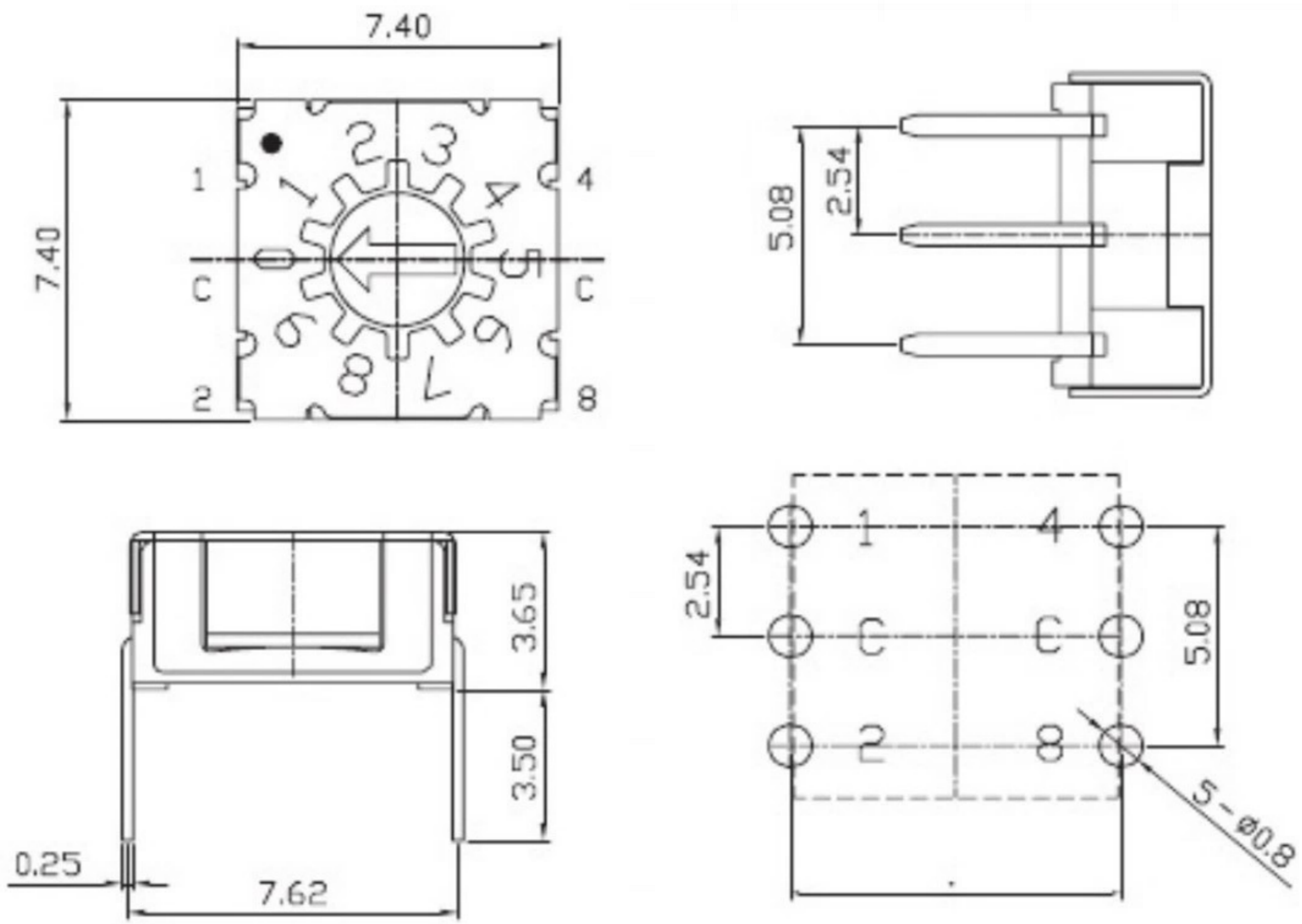


CAD FILE:

**ROHS**



8					<b>TOLERANCE</b>					
7					UNLESS SPECIFIED					
6					WITHIN 1.5mm : ±0.1mm	A	2012-9-25	初 版		ZENQ. CHEN
5					OVER 1.5mm : ±0.2mm	ISSUE	DATE	DESCRIPTIONS OF REVISION		APPD.
4	CONTACT	SUS	1	Ag CLAD	TITLE : 旋转编码开关			UNIT : mm	DRWG NO.: XB-SHAR-10	
3	CASE	PPA/BRASS SRTIP	1	BLACK/Ag PLATED	MODEL: Rotary Code Switch			SCALE: 5:1	DWN.	JUN. YANG 2012-9-25
2	COVER	STEEL STRIP	1	Ni PLATED	<b>东莞市溪榜电子有限公司</b> DONG GUAN XI BANG ELECTRONI CS CO., LTD.			CHK'D	DONG. PANG 2012-9-25	
1	KNOB	PPA	1	BLACK				APPD.	ZENQ. CHEN 2012-9-25	
NO.	PARTS	MATERIALS	Q'TY	FINISH						