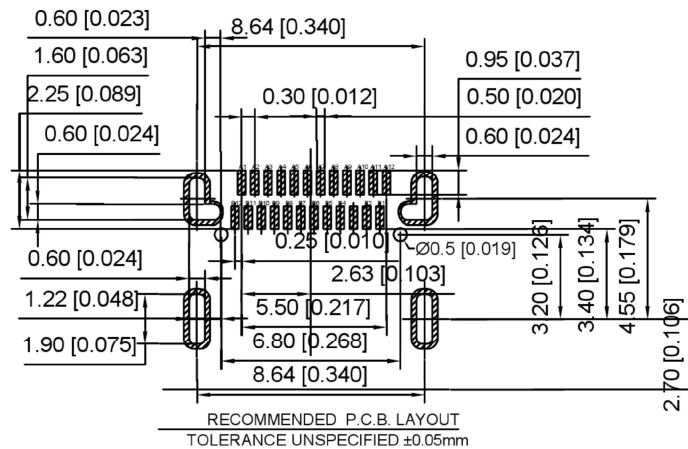
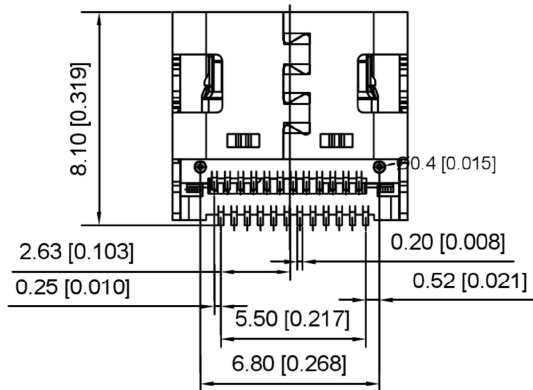
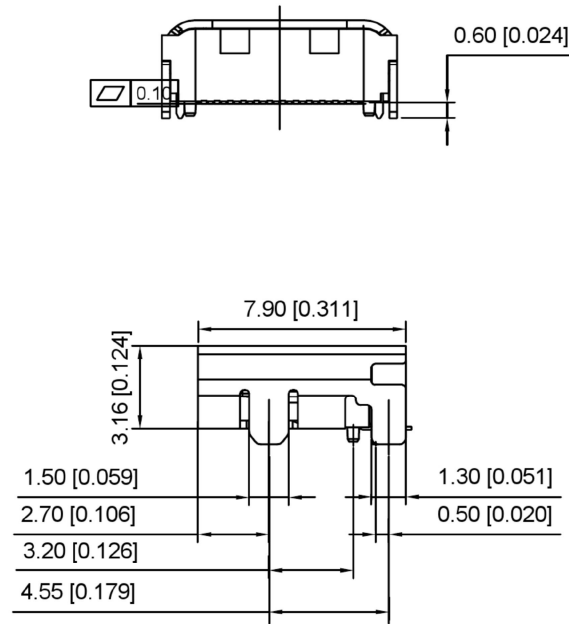
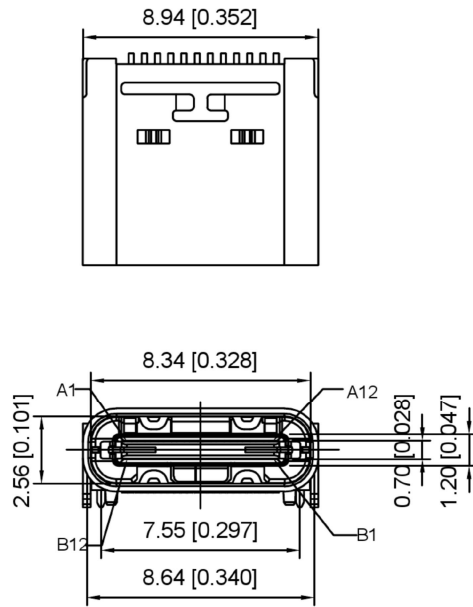



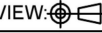
Material
Housing Material: High temperature thermoplastic
Contact Terminal: High Grade Copper Alloy
Metallic Shell: Stainless Steel
Inner Ground Cover Shell: Stainless Steel
Mid Plate: Stainless Steel
Plating
Data Contact
Underplating: 50µ" Min. Nickel
Contact Plating: 1µ" Gold
Solder Area: 80µ" Matte Tin
Shell
Metallic Shell: 50µ" Min. Nickel
Cover Shell
Metallic Shell: 80µ" Min. Nickel
Inner Ground Cover Shell
Metallic Shell: 50µ" Min. Nickel
Electrical
Voltage Rating: 20V DC
Current Rating: Vbus pins collectively 5.00A, GND pins collectively 6.25A, B5 pin 1.25A, Other pins 0.25A per pin.
Contact Resistance: 40mΩ Max.
Insulation resistance: 100 MΩ MIN.
Dielectric withstanding voltage: 100V AC/Minute
Mechanical
Durability: 10,000 cycles
Mating Force: 5 to 20N
Unmating Force: 8 to 20N (post test)



A1	GND	B12	GND
A2	SSTXP1	B11	SSRXP1
A3	SSTXN1	B10	SSRXN1
A4	VBUS	B9	VBUS
A5	CC1	B8	SBU2
A6	DP1	B7	DN2
A7	DN1	B6	DP2
A8	SBU1	B5	CC2
A9	VBUS	B4	VBUS
A10	SSRXN2	B3	SSTXN2
A11	SSRXP2	B2	SSTXP2
A12	GND	B1	GND
PIN	SIGNAL NAME	PIN	SIGNAL NAME

U262-24XN-4BV64

1:AU 1U"
2:AU 3U"
5:AU 15U"
6:AU 30U"

				ANGULAR	±5°		DSND	SCALE: N/A	MODEL TYPE:	Type-C 3.1	
				L ≤ 4	±0.2		DWN	VIEW: 	PART NO.:		
				4 < L ≤ 16	±0.3		CHKD	UNIT: mm/in	DWG NO.:	U262-24XN-4BV64	
				16 < L ≤ 63	±0.4		APPD	SIZE: A4	WEIGHT	SHEET	REVISION
				L > 63	±0.5					1/1	A0
REVISIONS				UNSPECIFIED TOLERANCES	DONG GUAN XI BANG ELECTRONIC CO., LTD						
www.alpsr.com www.gdxjdz.com www.xbswitch.com											