

NOTE:

1. Material:

All Housing: LCP (Polyplastics), Black, Thermoplastics, UL94V-0
 Insulation Jacket: LCP (Polyplastics), Black, Thermoplastics, UL94V-0
 Contact: Copper Alloy
 Mid Plate: Stainless Steel
 Outer shell: Stainless steel
 Inner Shell: Stainless Steel

2. FINISH:

Contact: Au 2u"Min. over Pd-Ni 30u"Min
 on Au 2u"Min. on Solder Area
 80~200u"Nickel Underplating Over All
 Mid-Plate: 40~200u"Nickel Over All
 Inner & Outer Shell: 40~200u" Nickel Over All

3. Outer Shell (Insulator) Minimum Thickness 0.40mm

4. Electrical Characteristics:

Current Rating: 5A Far Pin (A4, A9, B4, B9)
 1.25A Far Pin (A1, A12, B1, B5)
 0.25A For Others Pin
 Insulation Resistance: 100MΩ Min.
 Contact Resistance: 50 mΩ Max.
 Dielectric Withstanding Voltage: 500V AC/0.1S/0.1mA

5. Mechanical characteristics:

Insertion Force: 5~20N
 Extraction Force: Initial: 8~20N
 After durability: 6~20N

Durability: 10000 Cycles

6. Operating Temperature: -30 °C TO +85 °C

注:

1. 材料:

所有外壳: LCP (Polyplastics)。黑色, 热塑性塑料, UL94V-0
 绝缘护套: LCP (Polyplastics), 黑色, 热塑性塑料, UL94V-0
 接点: 铜合金
 中板: 不锈钢
 外壳: 不锈钢
 内壳: 不锈钢

2. 完成:

联系人: Au 2u"Min. over Pd-Ni 30u"Min
 在 Au 2u"Min. 在焊接区
 80~200u"全镀镍

中板: 40~200u"全镍

内外外壳: 40~200u"全镍

3. 外壳 (绝缘体) 最小厚度 0.40mm

4. 电气特性:

额定电流: 5A Far Pin (A4, A9, B4, B9)
 1.25A 远引脚 (A1, A12, B1, B5)
 0.25A 对于其他引脚

绝缘电阻: 100MΩ 最小值。

接触电阻: 最大 50 mΩ

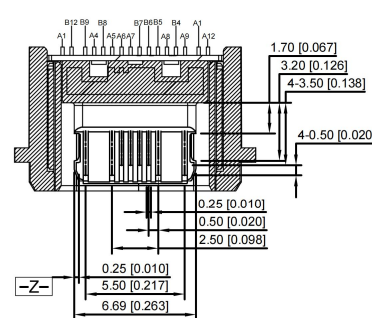
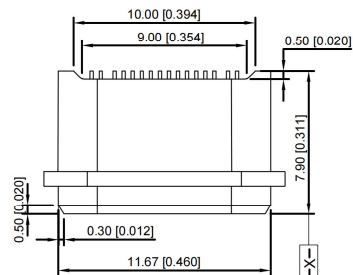
介质耐压: 500V AC/0.1S/0.1mA

5. 机械特性:

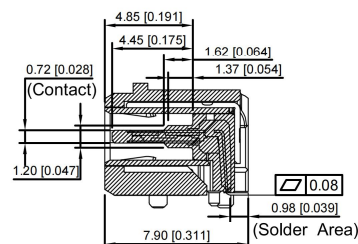
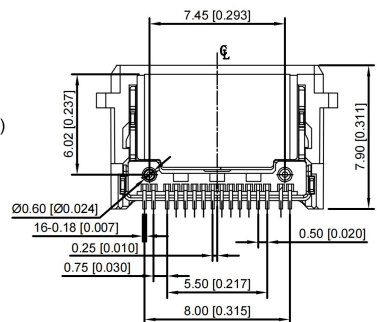
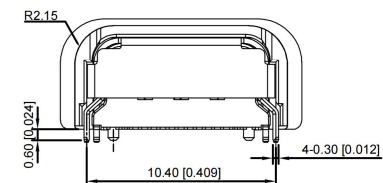
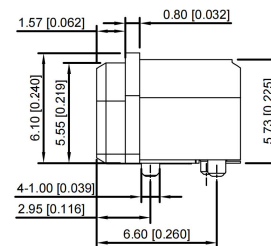
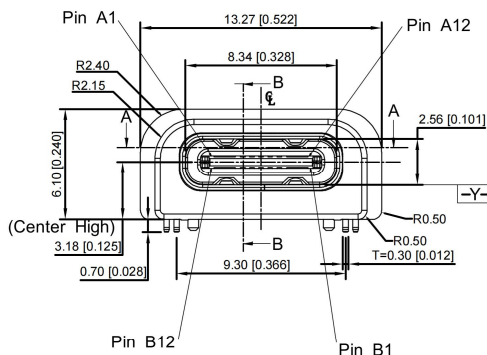
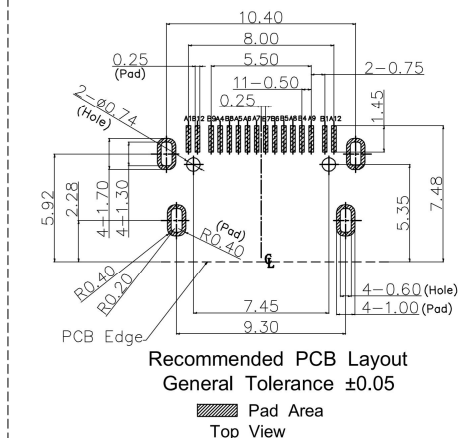
插入力: 5~20N
 拔出力: 初始: 8~20N
 经久耐用: 6~20N

耐用性: 10000 次循环

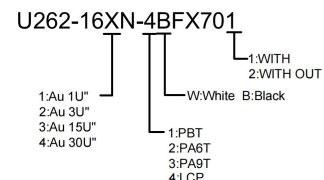
6. 工作温度: -30 °C 至 +85 °C



SECTION A-A



SECTION B-B



PIN ASSIGNMENT			
PIN NUMBER	SIGNAL NAME	PIN NUMBER	SIGNAL NA
A1	GND	B12	GND
A2	TX1+	B11	RX1+
A3	TX1-	B10	RX1-
A4	VBUS	B9	VBUS
A5	CC1	B8	SBU2
A6	D+	B7	D+
A7	D-	B6	D-
A8	SBU1	B5	CC2
A9	VBUS	B4	VBUS
A10	RX2-	B3	TX2-
A11	RX2+	B2	TX2+
A12	GND	B1	GND

DSND	SCALE: N/A	MODEL TYPE: 3.1 TYPE C
DWN	VIEW:	PART NO.:
CHKD	UNIT: mm/in	DWG NO.: U262-16XN-4BFX70
APPD	SIZE: A4	WEIGHT SHEET REVISION
		1/1 A0



DONG GUAN XI BANG ELECTRONIC CO., LTD

REVISIONS

www.alpsr.com www.gdxjdz.com www.xbswitch.com

UNSPECIFIED TOLERANCES

ANGLAR	±5°
L ≤ 4	±0.2
4 < L ≤ 16	±0.3
16 < L ≤ 63	±0.4
L > 63	±0.5

DATE REVISED APPROVED