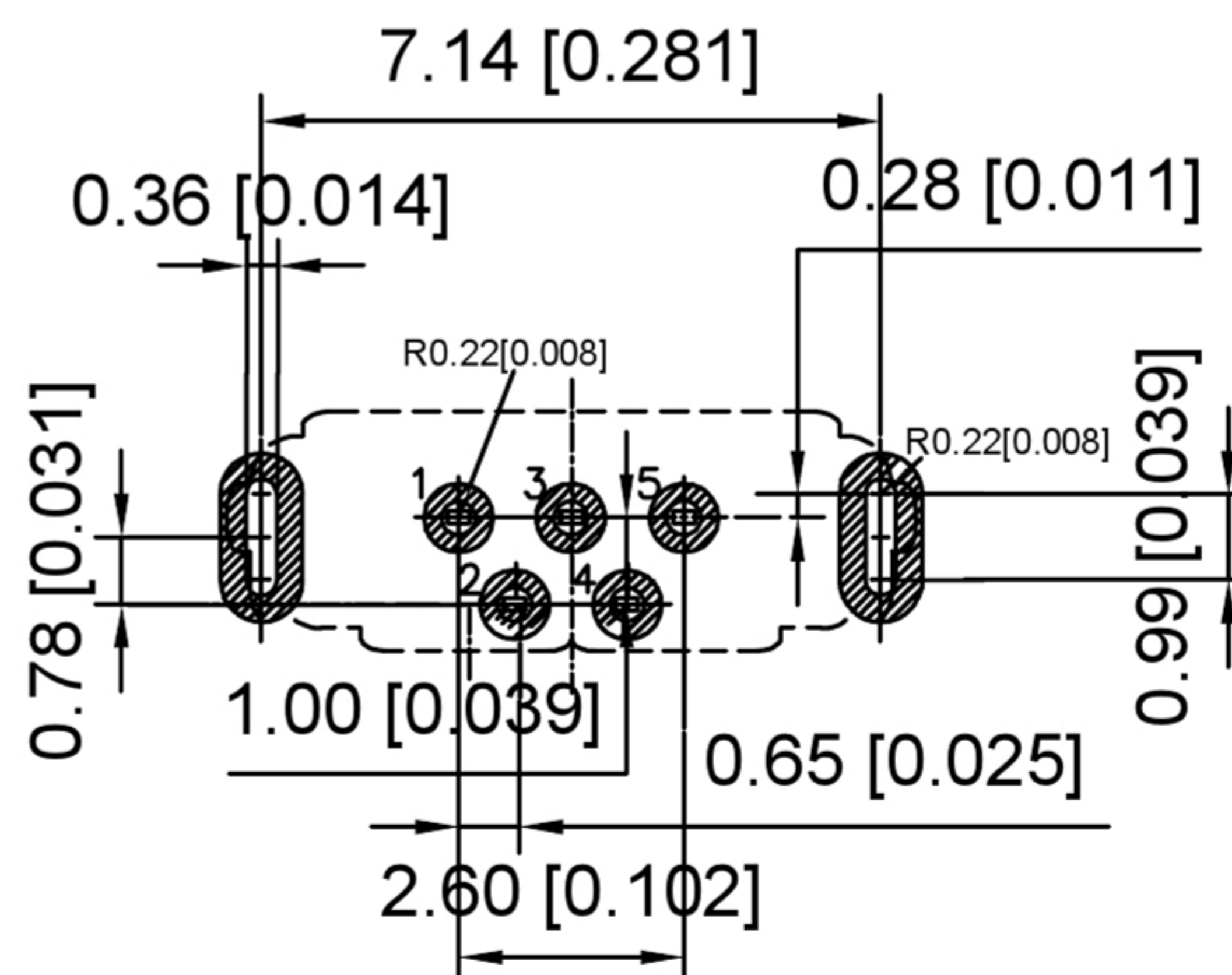
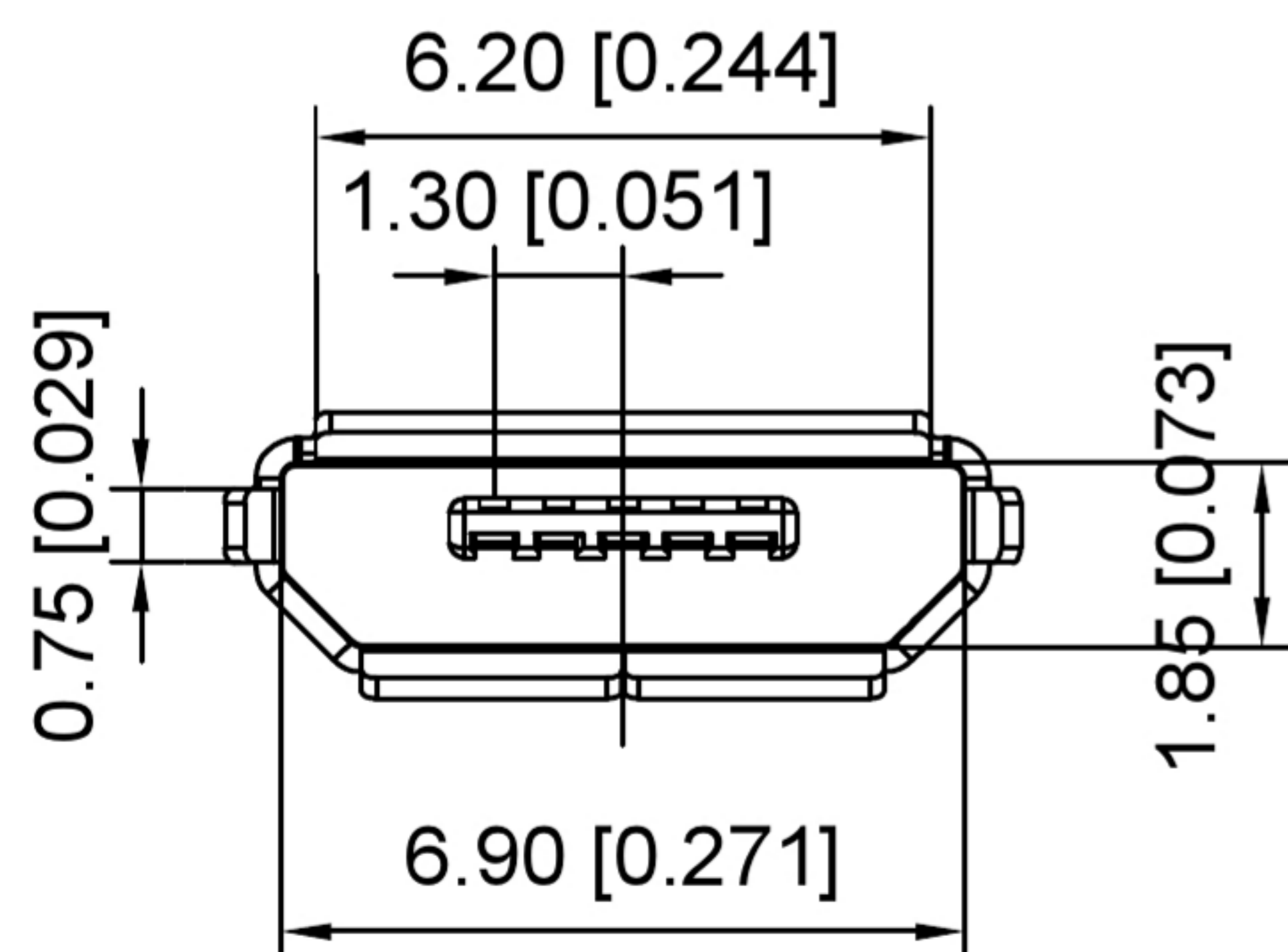
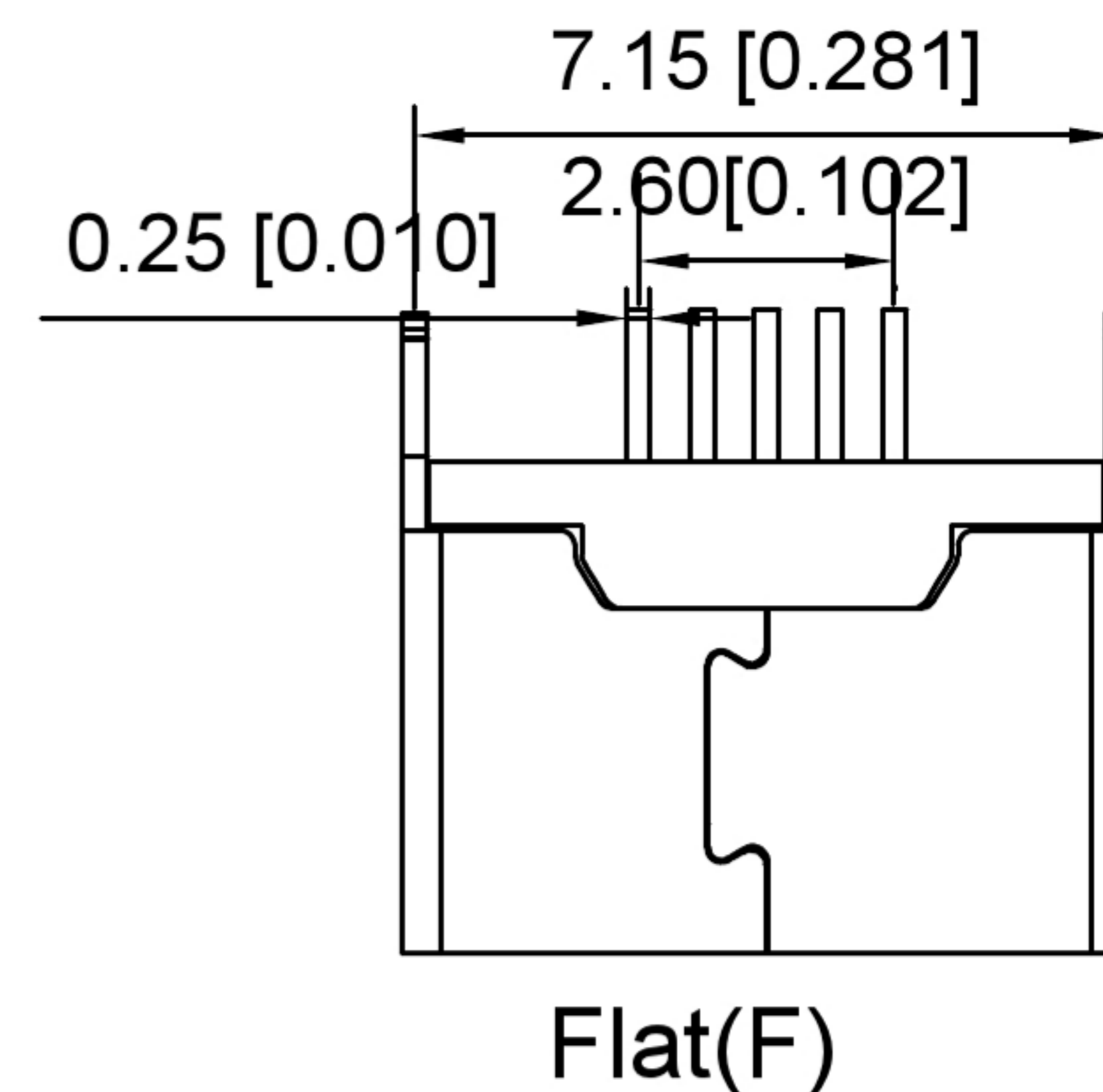
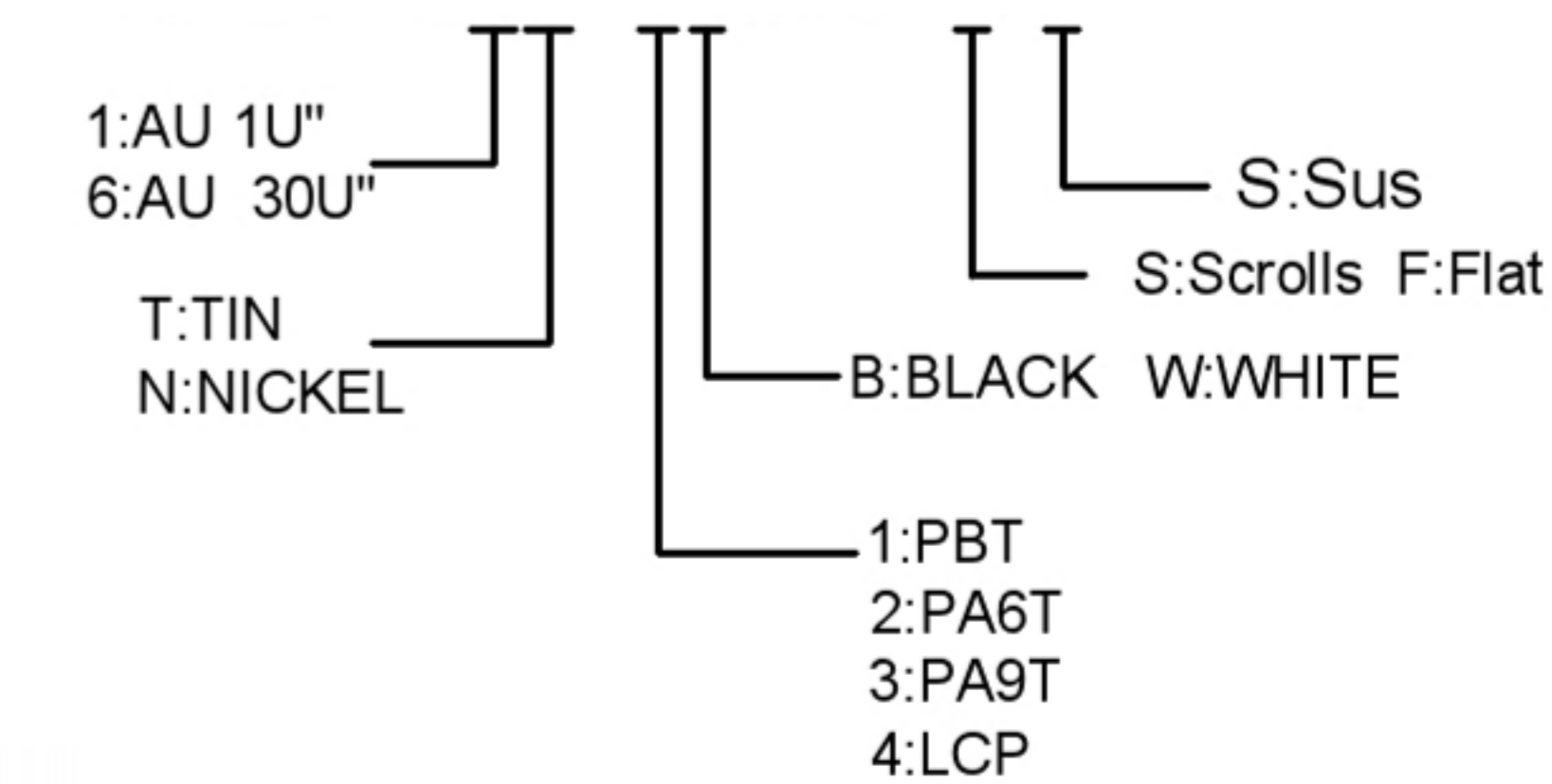


Scrolls (S)



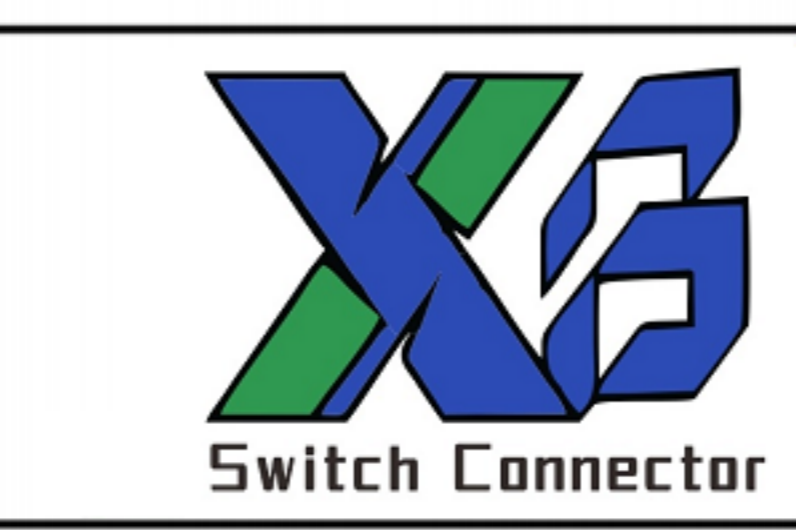
RECOMMENDED P.C.B LAYOUT



Flat(F)

Material  
Housing Material: LCP, UL94V-0, black  
Contact Terminal: Copper Alloy  
Metallic Shell: Sus  
Electrical  
Voltage Rating: 30 V AC  
Current Rating: Signal (Pins 2,3,4): 1.0A, Power (Pins 1,5): 1.8A  
Contact Resistance: 30mΩ Max  
Insulation resistance: 1000MΩ Min  
Dielectric withstanding voltage: 250V AC/Minute  
Mechanical  
Durability: 10,000 cycles  
Mating Force: 35N (3.57Kgf) Max  
Unmating Force: 8N (0.82Kgf) Min.

				ANGULAR	±5°
				L ≤ 4	±0.2
				4 < L ≤ 16	±0.3
				16 < L ≤ 63	±0.4
				L > 63	±0.5
	DATE	REVISED	APPROVED	UNSPECIFIED TOLERANCES	
REVISIONS					
www.alpsr.com www.gdxjdz.com www.xbswitch.com					



DSND		SCALE: N/A	MODEL TYPE: MICRO USB		
DWN		VIEW:	PART NO.:		
CHKD		UNIT: mm/in	DWG NO.:		
APPD		SIZE: A4	<b>XB-U255-051N-4BH70</b>		
			WEIGHT	SHEET	REVISION
				1/1	A0

DONG GUAN XI BANG ELECTRONIC CO., LTD