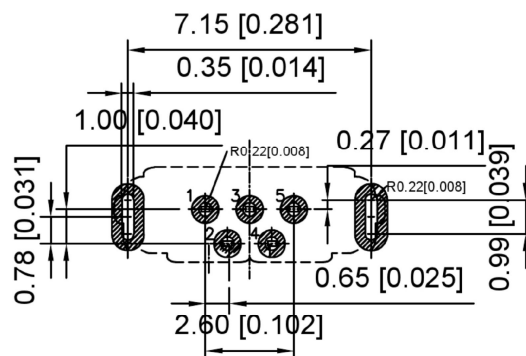
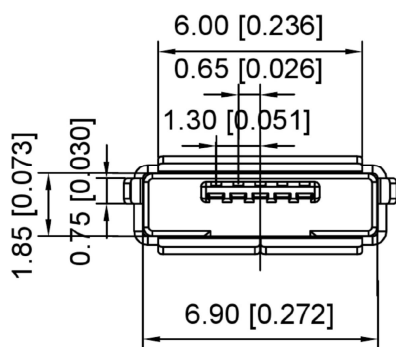


F: Flat

S: Scrolls

Housing Material: LCP UL94V-0, black  
Contact Terminal: PHOSPHOR BRONZE  
Metallic Shell: SUS





RECOMMENDED P.C.B LAYOUT

U255-05XN-4BH75-XS

S: SUS  
S: Scrolls F: Flat

1:AU 1U"  
5:AU 15U"  
6:AU 30U"

				ANGLAR	±5°		DSND	SCALE: N/A	MODEL TYPE: MICRO USB		
				L ≤ 4	±0.2		DWN	VIEW: 	PART NO.:		
				4 < L ≤ 16	±0.3		CHKD	UNIT: mm/in	DWG NO.:		
				16 < L ≤ 63	±0.4		APPD	SIZE: A4	U255-05XN-4BH75-XS		
				L > 63	±0.5					WEIGHT	SHEET
REVISIONS				UNSPECIFIED TOLERANCES		DONG GUAN XI BANG ELECTRONIC CO., LTD				1/1	A0
www.alpsr.com www.gdxjdz.com www.xbswitch.com											