

X	1	2	3
H	1.2	1.17	0.7
Y	1.15	1.18	1.65

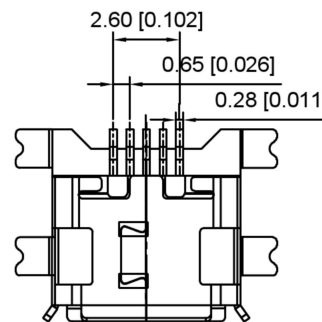
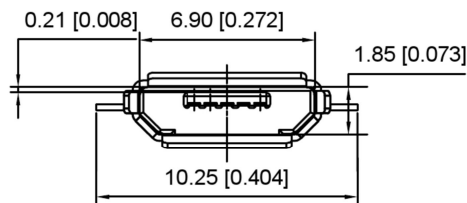
Note:

1. Material:

- 1.1 Housing: High temperature thermoplastic with g.f, UL94V-0
- 1.2 Contact: copper alloy, t=0.15mm
- 1.3 Shell: copper alloy, t=0.25mm

2. Specification:

- 2.1 Current rating: 1A Max
- 2.2 Dielectric withstanding voltage: 100V(ac) for 1 min.
- 2.3 Contact resistance: 30 MΩ Max.
- 2.4 Insulation resistance: 100 MΩ Min.
- 2.5 Total mating force: 3.57 Kgf Max.
- 2.6 Total unmating force: 1.0 Kgf Min. 0.81~2.05 Kgf Min.
- 2.7 Temperature range: -30°C~80°C



Scrolls (S)

U253-05XX-4BH87-SX

1:AU 1U"
6:AU 30U"

T:TIN
N:NICKEL

1:H:1.2 2:H:1.17 3:H:0.7
S:Scrolls F:Flat

				ANGULAR	±5°
				L ≤ 4	±0.2
				4 < L ≤ 16	±0.3
				16 < L ≤ 63	±0.4
				L > 63	±0.5
REVISIONS				UNSPECIFIED TOLERANCES	
DATE	REVISED	APPROVED			
www.alpsr.com www.gdxjdz.com www.xbswitch.com					



DONG GUAN XI BANG ELECTRONIC CO., LTD

DSND	SCALE: N/A	MODEL TYPE:	MICRO USB		
DWN	VIEW:	PART NO.:			
CHKD	UNIT: mm/in	DWG NO.:	U253-05XX-4BH87-SX		
APPD	SIZE: A4	WEIGHT	SHEET	REVISION	
			1/1	A0	