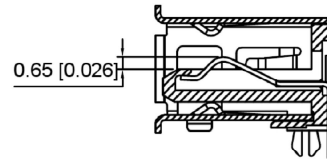
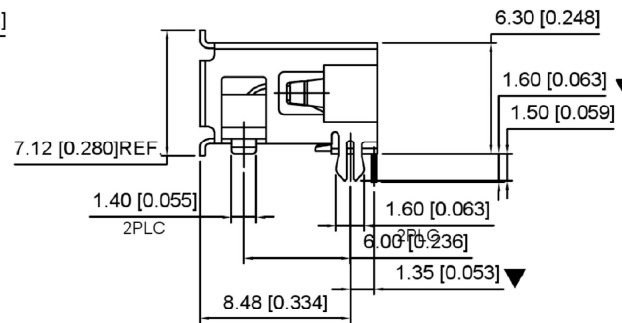
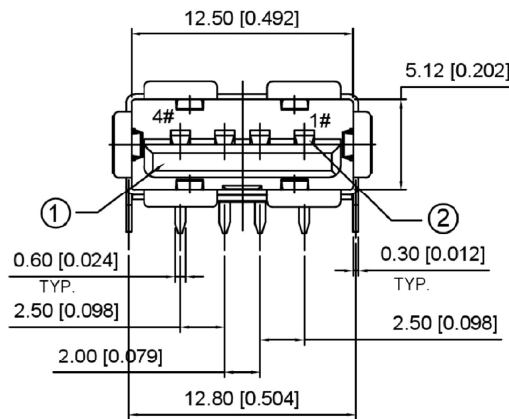


F: Flat

S: Scrolls



Housing Material: PA9T UL94V-0, Black  
 Contact Terminal: COPPER ALLOY. (T=0.25mm)  
 Metallic Shell: Brass(T=0.30mm)



U221-04XN-3BU06-X5

- 1: Au 1U"
- 5: Au 15U"
- 6: Au 30U"
- 1: PBT
- 2: PA6T
- 3: PA9T
- 4: LCP
- 5: BRASS
- S: Scrolls F: Flat
- W: WHITE B: BLACK

				ANGULAR	±5°		DSND	SCALE: N/A	MODEL TYPE:	USB 2.0
				L ≤ 4	±0.2		DWN	VIEW:	PART NO.:	
				4 < L ≤ 16	±0.3		CHKD	UNIT: mm/in	DWG NO.:	U221-04XN-3BU06-X5
				16 < L ≤ 63	±0.4		APPD	SIZE: A4	WEIGHT	SHEET
REVISIONS				UNSPECIFIED TOLERANCES	DONG GUAN XI BANG ELECTRONIC CO., LTD				1/1	A0
www.alpsr.com www.gdxjdz.com www.xbswitch.com										