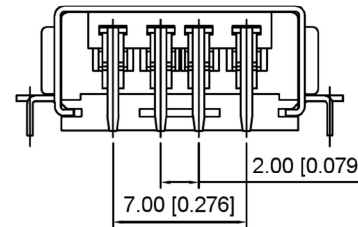
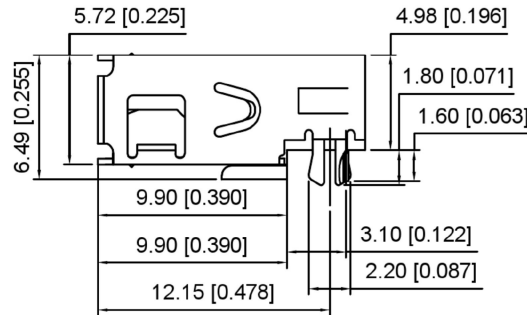
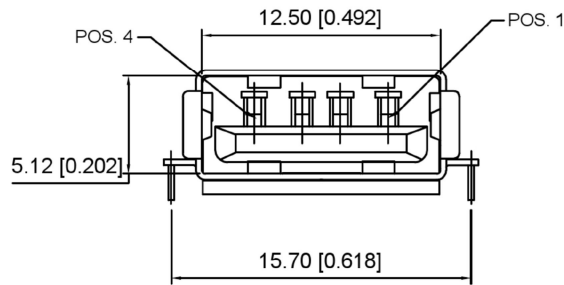




**MATERIAL:**  
Housing Material: PA9T UL94V-0, Black  
Contact Terminal: PHOSPHOR BRONZE (t=0.25mm).  
Metallic Shell: SUS(t=0.30mm).  
**FINISH:**  
CONTACT: UNDER PLATED 50u" MIN. NICKEL ALL OVER 100u" MIN. TIN IN SOLDERING AREA GOLD PLATED IN CONTACT AREA.  
SHIELD: N:PLATED WITH 40u" THICKNESS NICKEL OVER 50u" MIN. THICKNESS Cu.

**RECOMMENDED P.C.B LAYOUT (THICKNESS=1.2mm)**  
(COMPONENT SIDE) P.C.B. TOLERANCE: ±0.05



**U221-04XN-3BU04-SS**

- S: SUS
- S: Scrolls F: Flat
- W: WHITE B: BLACK
- 1: Au 1U"
- 5: Au 15U"
- 6: Au 30U"
- 1: PBT
- 2: PA6T
- 3: PA9T
- 4: LCP

				ANGULAR	±5°		DSND	SCALE: N/A	MODEL TYPE:	USB 2.0	
				L ≤ 4	±0.2		DWN	VIEW: 	PART NO.:		
				4 < L ≤ 16	±0.3		CHKD	UNIT: mm/in	DWG NO.:	U221-04XN-3BU04-SS	
				16 < L ≤ 63	±0.4		APPD	SIZE: A4	WEIGHT	SHEET	REVISION
				L > 63	±0.5					1/1	A0
REVISIONS				UNSPECIFIED TOLERANCES		DONG GUAN XI BANG ELECTRONIC CO., LTD					
www.alpsr.com www.gdxjdz.com www.xbswitch.com											