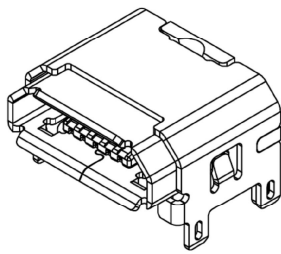
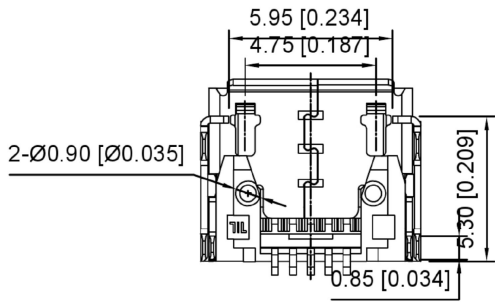
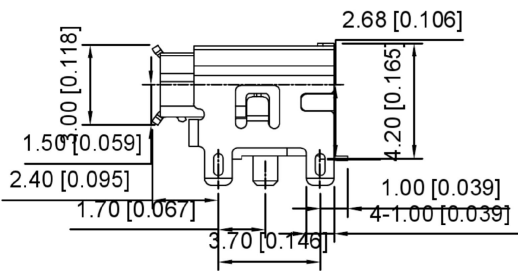
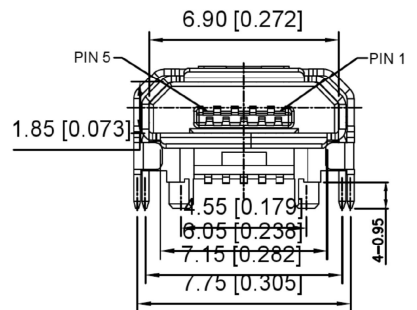
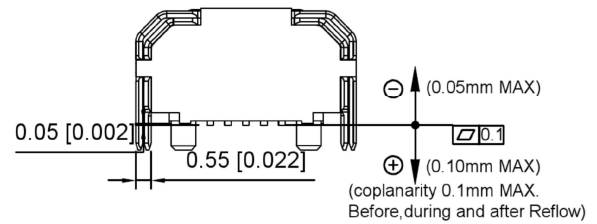
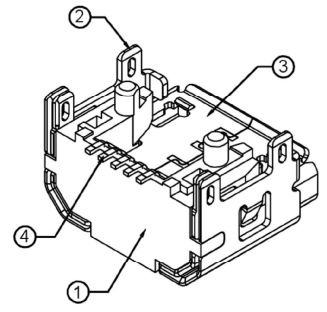


RECOMMENDED PCB LAYOUT  
Tolerance: ±0.05(TOP VIEW)



**Material 材料**  
**Housing Material 胶壳材料:** LCP, UL94V-0, black  
**Contact Terminal 端子:** Copper Alloy  
**Metallic Shell 外壳:** Sus  
**Electrical 电气**  
**Voltage Rating 额定电压:** 30 V AC  
**Current Rating 额定电流:** Signal (Pins 2,3,4): 1.0A, Power (Pins 1,5): 1.8A  
**Contact Resistance 接触电阻:** 30mΩ Max  
**Insulation resistance 绝缘电阻:** 1000MΩ Min  
**Dielectric withstanding voltage 介电耐压:** 250V AC/Minute  
**Mechanical 机械**  
**Durability 耐久性:** 10,000 cycles  
**Mating Force 插入力:** 35N (3.57Kgf) Max  
**Unmating Force 拔出力:** 8N (0.82Kgf) Min.

④	CONTACT	No.1-No.5	5	Copper Alloy T=0.15	Under plating: Ni plating Contact area: Gold flash plating Soldering area: Gold flash plating
③	SHELL	----	1	Stainless Steel T=0.25	Ni PLATED
②	COVER	----	1	Stainless Steel T=0.25	Ni PLATED
①	INSERT MOLDING	----	1	LCP(BLACK)	UL-94V-0
ITEM	PART NAME	TERMINAL	QTY	MATERIAL	REMARK

				ANGULAR	±5°
				L ≤ 4	±0.2
				4 < L ≤ 16	±0.3
				16 < L ≤ 63	±0.4
				L > 63	±0.5
				UNSPECIFIED TOLERANCES	
REVISIONS					
	DATE	REVISED	APPROVED		
www.alpsr.com www.gdxjdz.com www.xbswitch.com					



DSND		SCALE: N/A	MODEL TYPE:	MICRO USB
DWN		VIEW:	PART NO.:	
CHKD		UNIT: mm/in	DWG NO.:	U-D-M7DS-G-2
APPD		SIZE: A4	WEIGHT	SHEET
				REVISION
DONG GUAN XI BANG ELECTRONIC CO., LTD				1/1
				A0