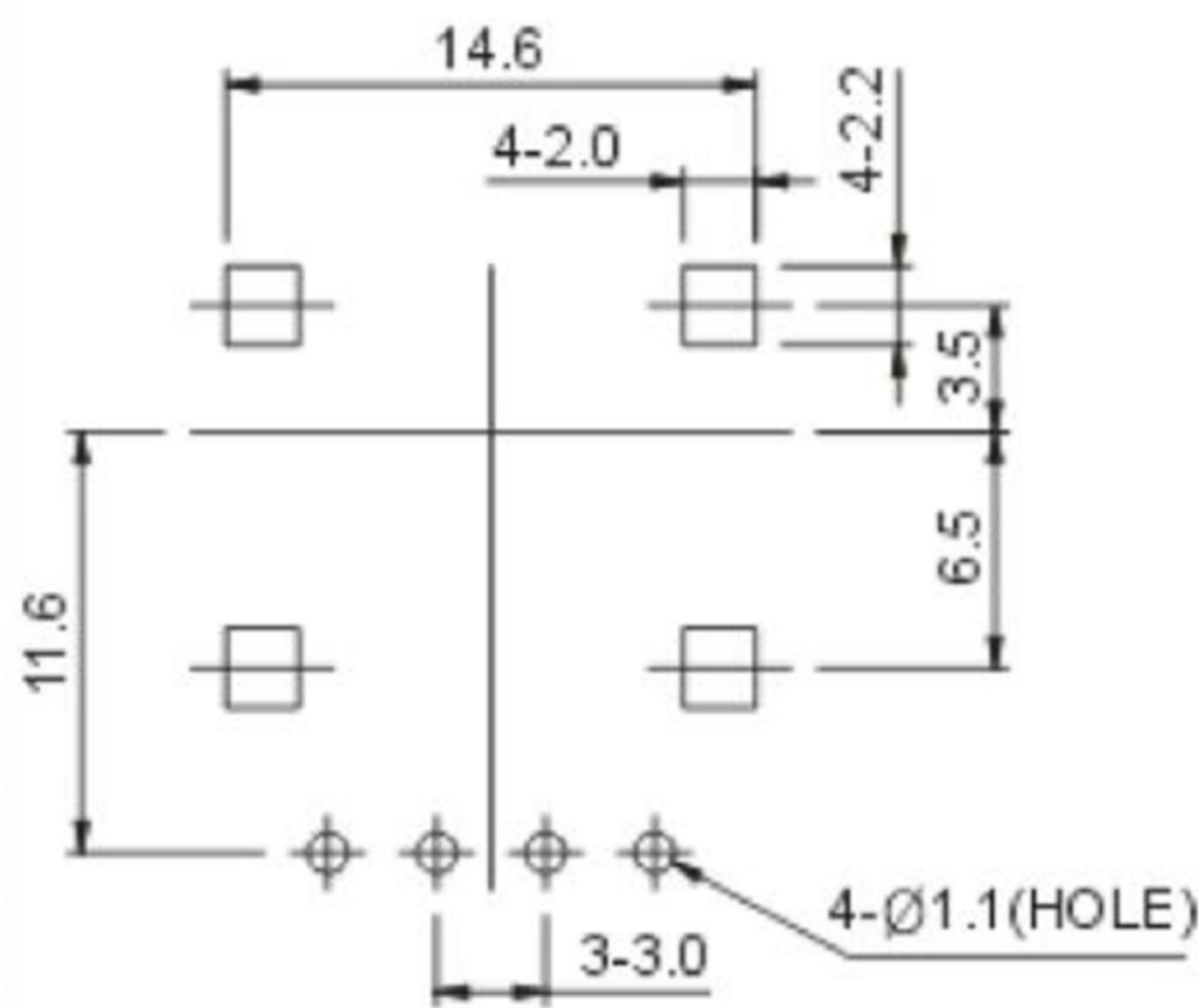
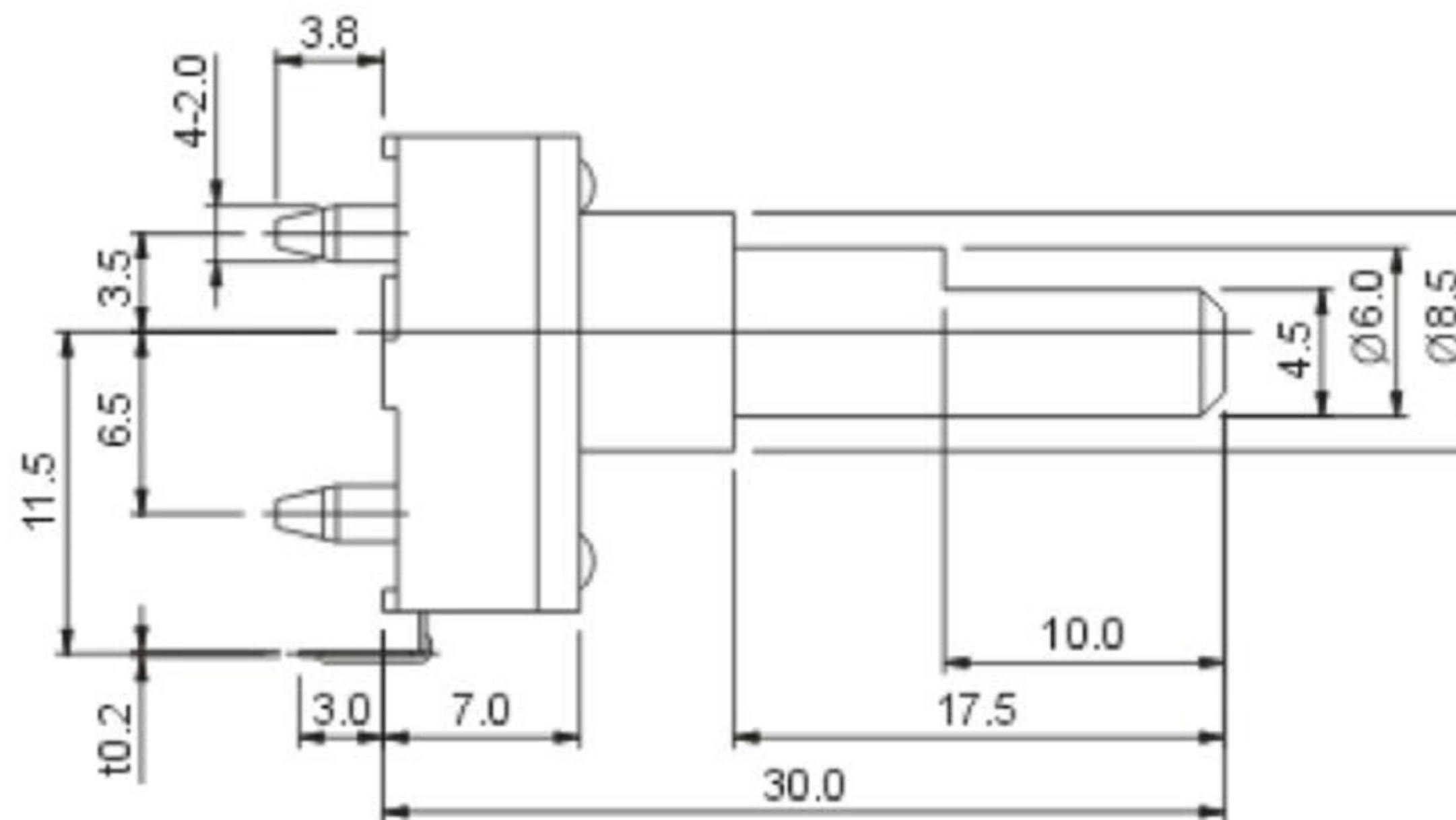
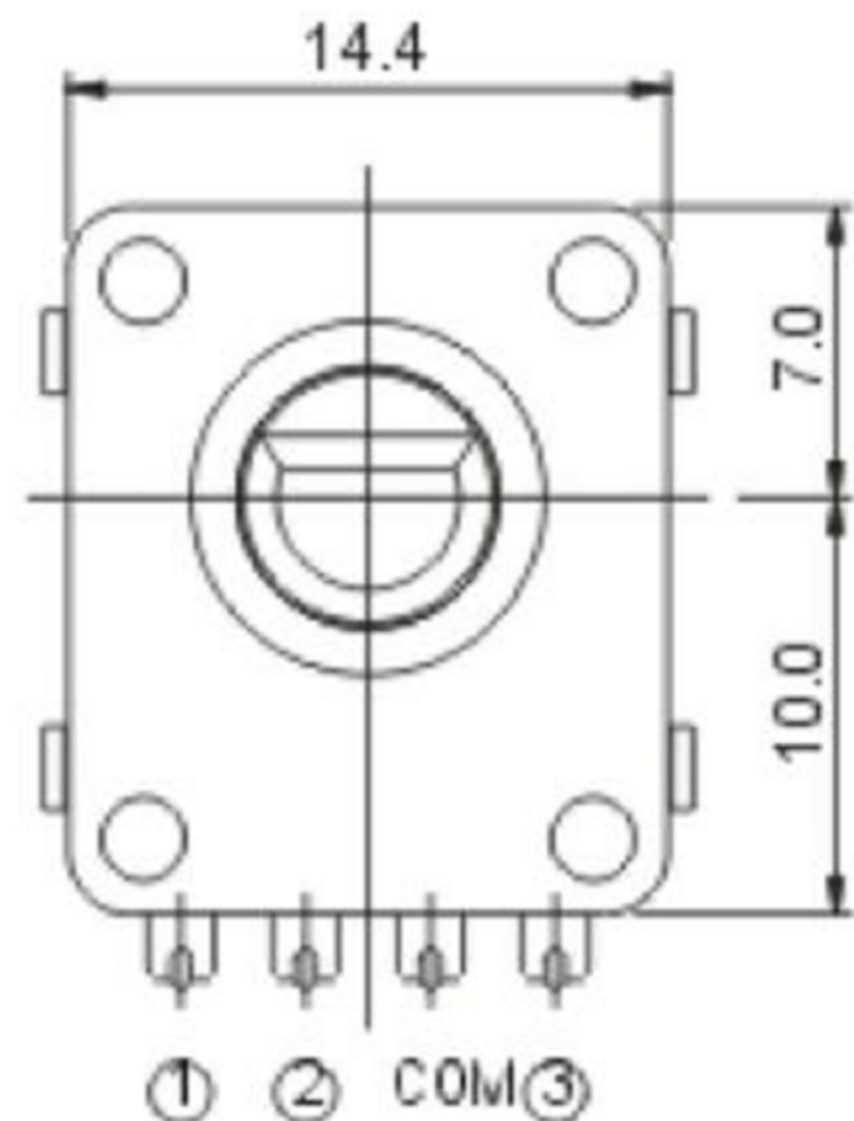


CAD FILE:

**ROHS**



P.C.B HOLE DIMENSION

\* O: ON X:OFF

Terminal \ Shaft Position	0	1	2	3	4	5	6	7
Terminal 1	O	O	X	X	O	O	X	X
Terminal 2	X	O	O	O	O	X	X	X
Terminal 3	X	X	X	O	O	O	O	X

1. Rating: DC 28V 10mA
2. Contact Resistance: 30mΩ
3. Total Rotation Angle: 210
4. Step Angle: 30 Haw.
5. Rotation Torque: 200gf  
100gf.cm
6. Operating Life: 30,000Cycles
7. Circuit: 3Bit

NO.	PARTS	MATERIALS	Q'TY	FINISH	TOLERANCE UNLESS SPECIFIED	ISSUE	DATE	DESCRIPTIONS OF REVISION	APPD.
8									
7									
6					WITHIN 1.5mm : ±0.1mm	A	2012-9-25	初版	ZENQ. CHEN
5					OVER 1.5mm : ±0.2mm	ISSUE	DATE	DESCRIPTIONS OF REVISION	APPD.
4	CONTACT	SUS	1	Ag CLAD	TITLE : Encoder Swith			UNIT : mm	DRWG NO.: XB-JES-1408
3	CASE	PPA/BRASS SRTIP	1	BLACK/Ag PLATED	MODEL: XB-JES-1408			SCALE: 5:1	DWN. JUN. YANG 2012-9-25
2	COVER	STEEL STRIP	1	Ni PLATED	<b>东莞市溪榜电子有限公司</b> DONG GUAN XI BANG ELECTRONI CS CO., LTD.			CHK'D	DONG. PANG 2012-9-25
1	KNOB	PPA	1	BLACK				APPD.	ZENQ. CHEN 2012-9-25