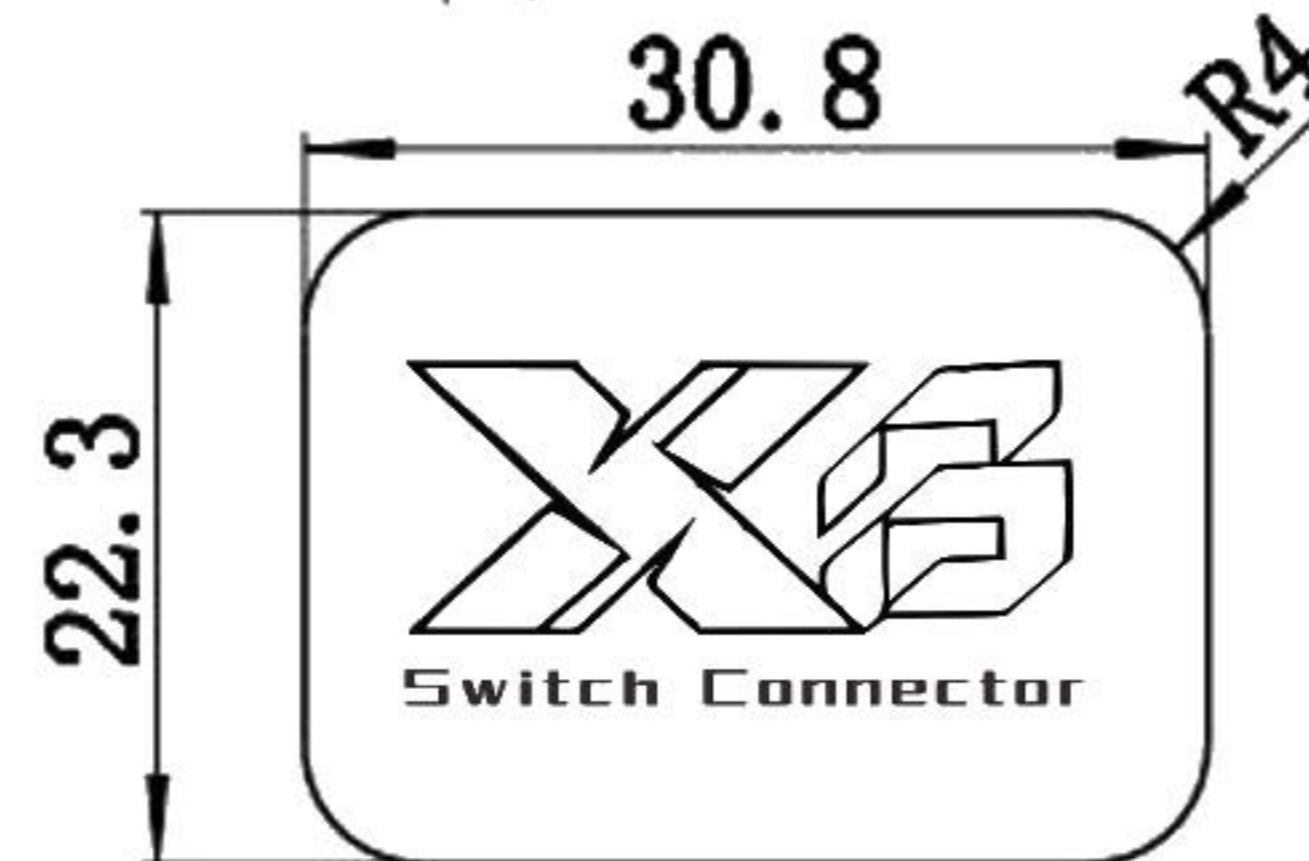
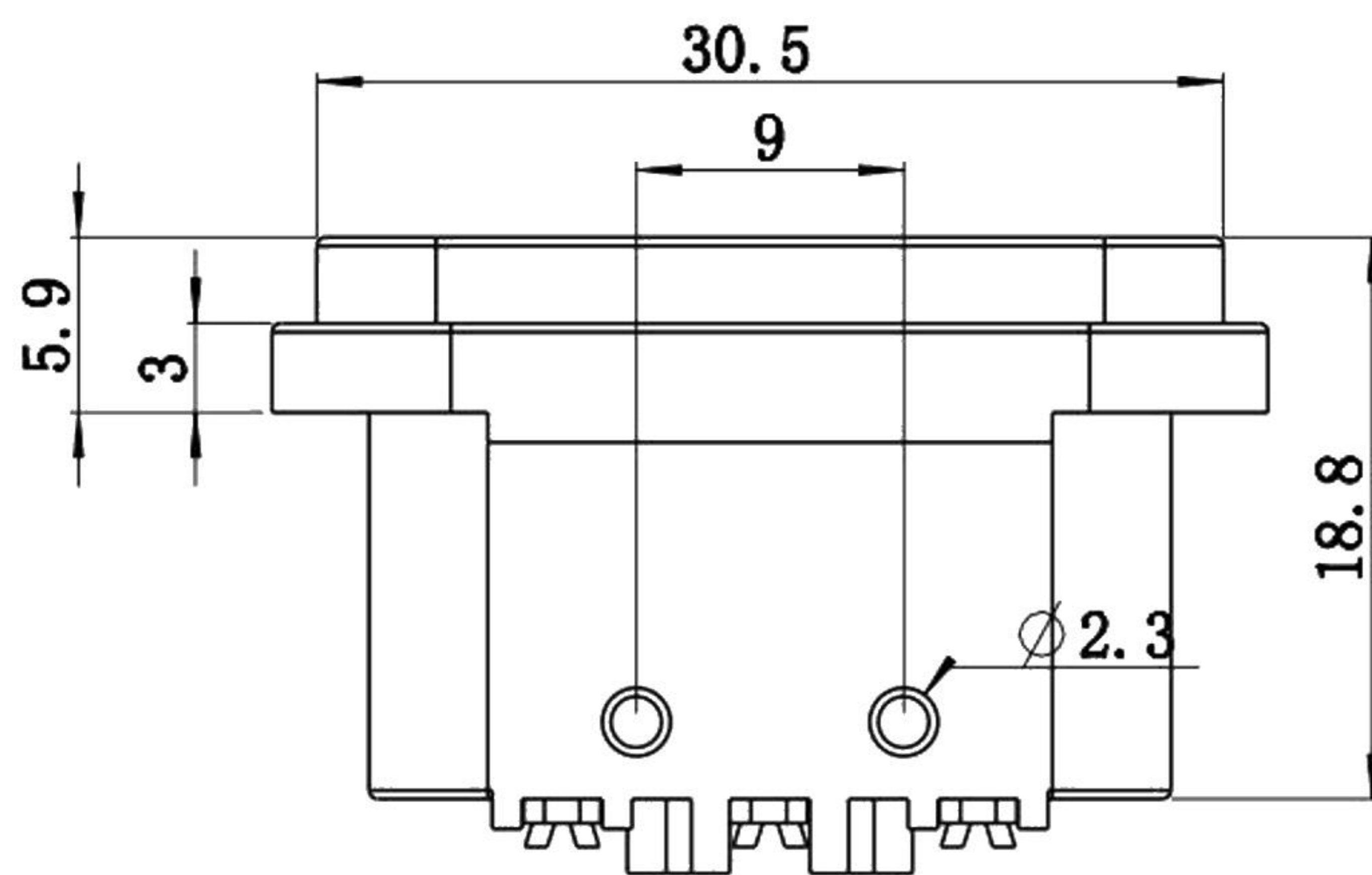


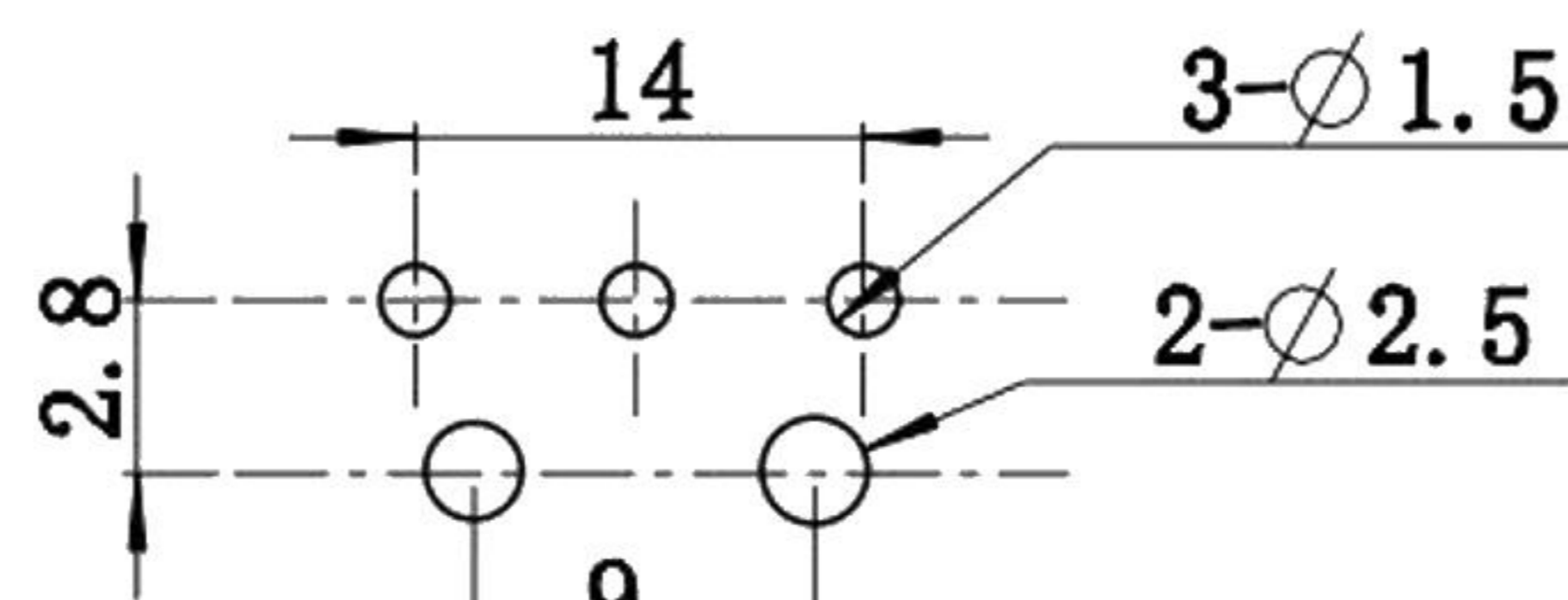
剖面 A-A

Rating:

15A 250V AC UL cUL
 10A 250V AC VDE 3C KC
 Insert And Extract Force: 20N~50N
 Terminal Strength: ≥60N
 Operating Life: ≥6000 cycles
 Withstand Voltage: Between all terminals: 2500VAC (50-60Hz) 1min
 Terminals to Base: 3750V AC (50-60Hz) 1min
 Leakage Current: 1mA
 Insulation Resistance: ≥100MΩ 500V DC
 Body Material: PBT 94V-2~0



PANEL CUT-OUT



PCB LAYOUT

55*43*23.5cm箱, 50只*36塑盒装=1.8K件, 净重: 20.2 KG, 毛重: 22.7=KG,

| 序号 | 名称 | 材料 | 处理 | 数量 | 备注 |
|----|-------------------|-----|----|----|-------------------------------|
| 1 | DB-14-8P(2.0) 塑料件 | PBT | 黑色 | 1 | |
| 2 | DB-14-PL(L) 长插销 | 黄铜 | 镀镍 | 1 | Plating Thickness 40u''-80u'' |
| 3 | DB-14-PS(S) 短插销 | 黄铜 | 镀镍 | 2 | Plating Thickness 40u''-80u'' |
| 4 | DB-14-3L | 黄铜 | 镀锡 | 1 | Plating Thickness >80u'' |
| 5 | DB-14-3S | 黄铜 | 镀锡 | 2 | Plating Thickness >80u'' |

普通公差:
COMMON TOLERANCE:

| | |
|---------------|-------|
| UP TO 5 | ±0.20 |
| ABOVE 5 TO 30 | ±0.30 |
| ABOVE 30 | ±0.50 |
| ANGULAR | ±5° |



东莞市溪榜电子有限公司
DONG GUAN XI BANG ELECTRONICS CO., LTD.

| | | | | | | | |
|-------------|-----------|----------------|-----|-----------------|---------------------|----------|------|
| 单位 UNIT | mm | 投影 PROJECTED | | 品名 PRODUCT NAME | Ac Inlet C14型 | 比例 SCALE | Free |
| 绘图 DRAWN BY | 金泽杰 | 核对 CHECKED BY | 张军龙 | 型号 MODEL NO. | /DB-14 | | |
| 日期 DATE | 2022/7/22 | 核准 APPROVAL BY | 周培雷 | 料号 PART NO. | DB-14-8P-33(2.0)-ZP | | |

| REV. | DATE | REVISION DESCRIPTION | ISSUE |
|------|------|----------------------|-------|
| | | | |