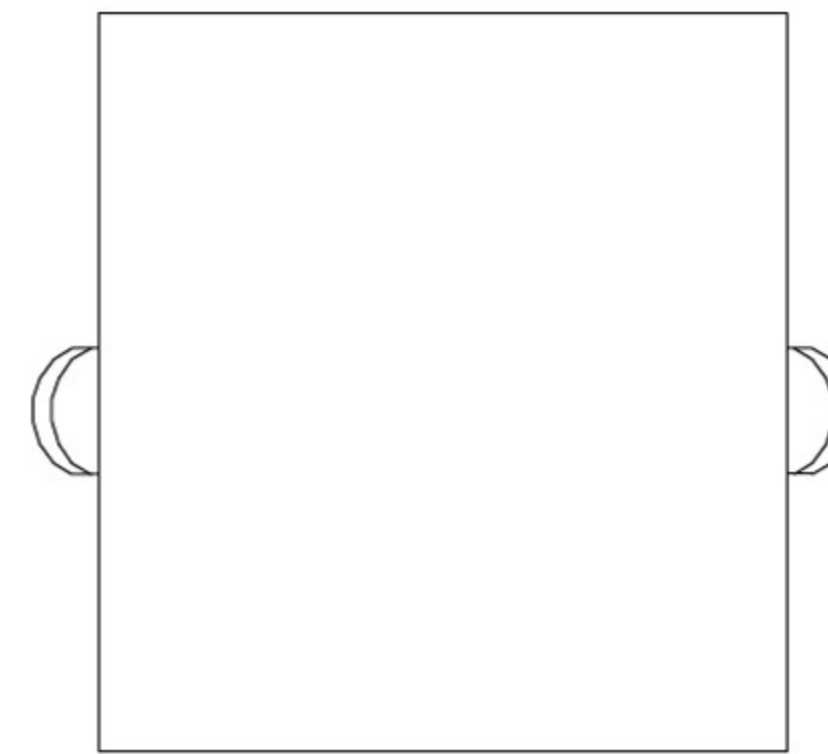
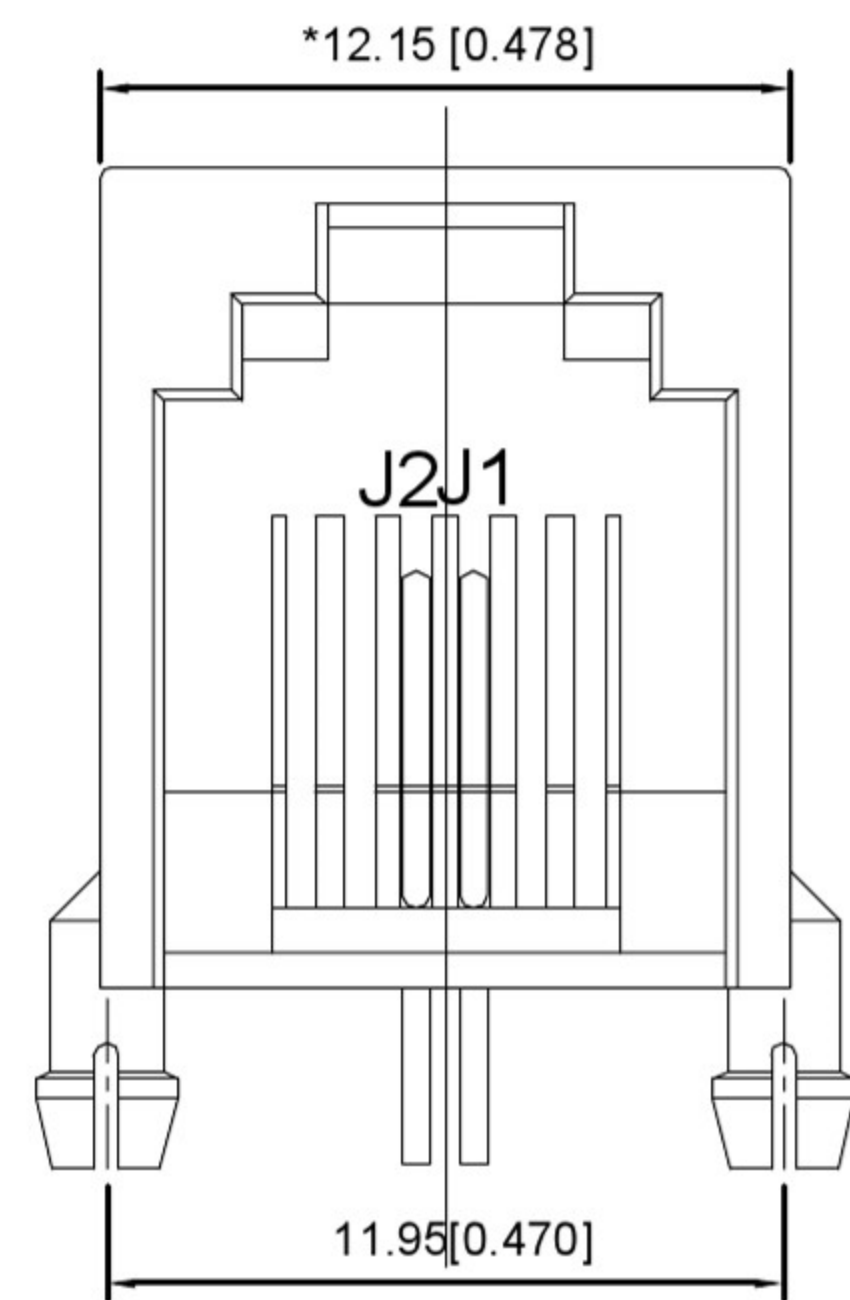


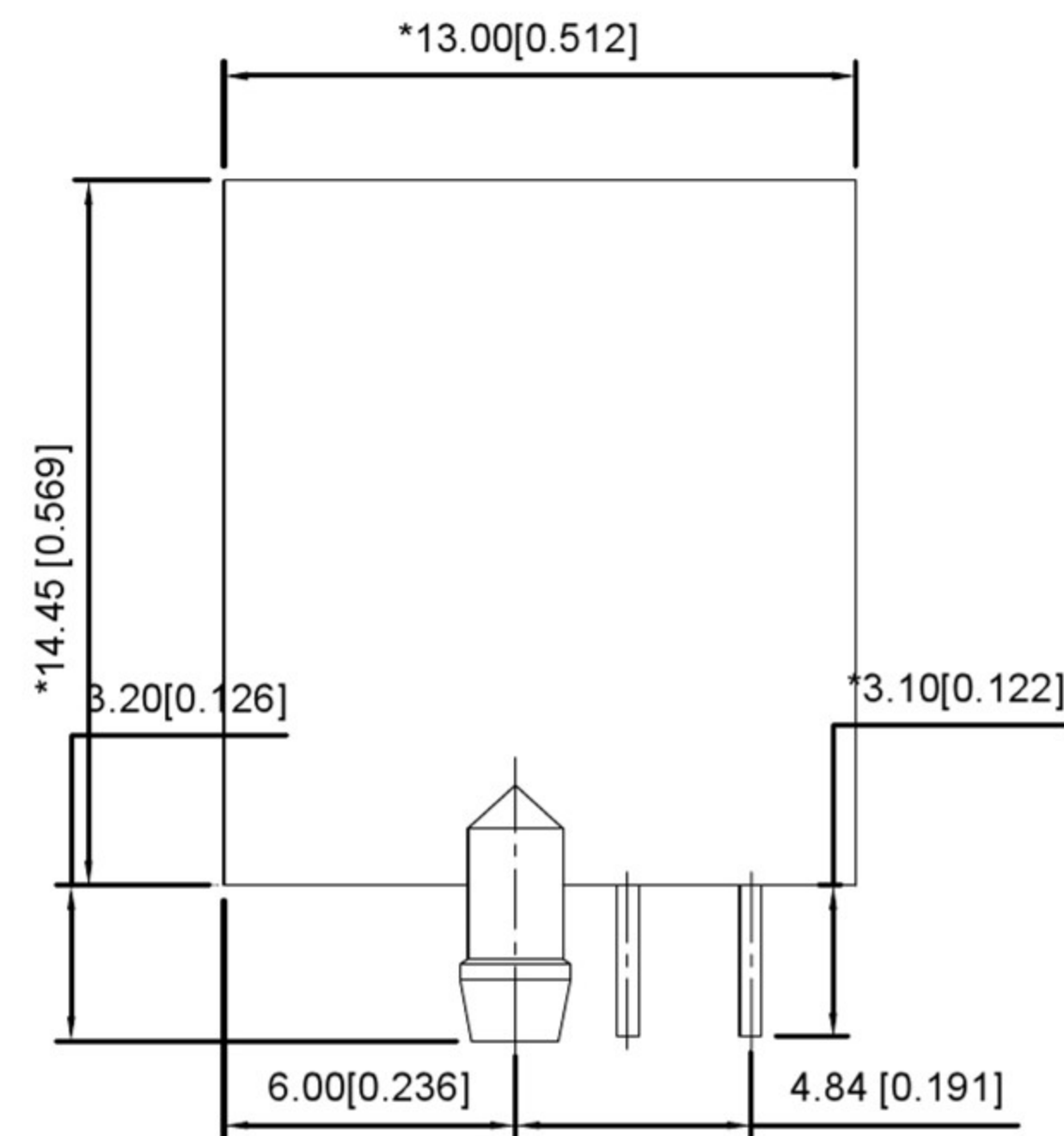
LEFT SIDE VIEW



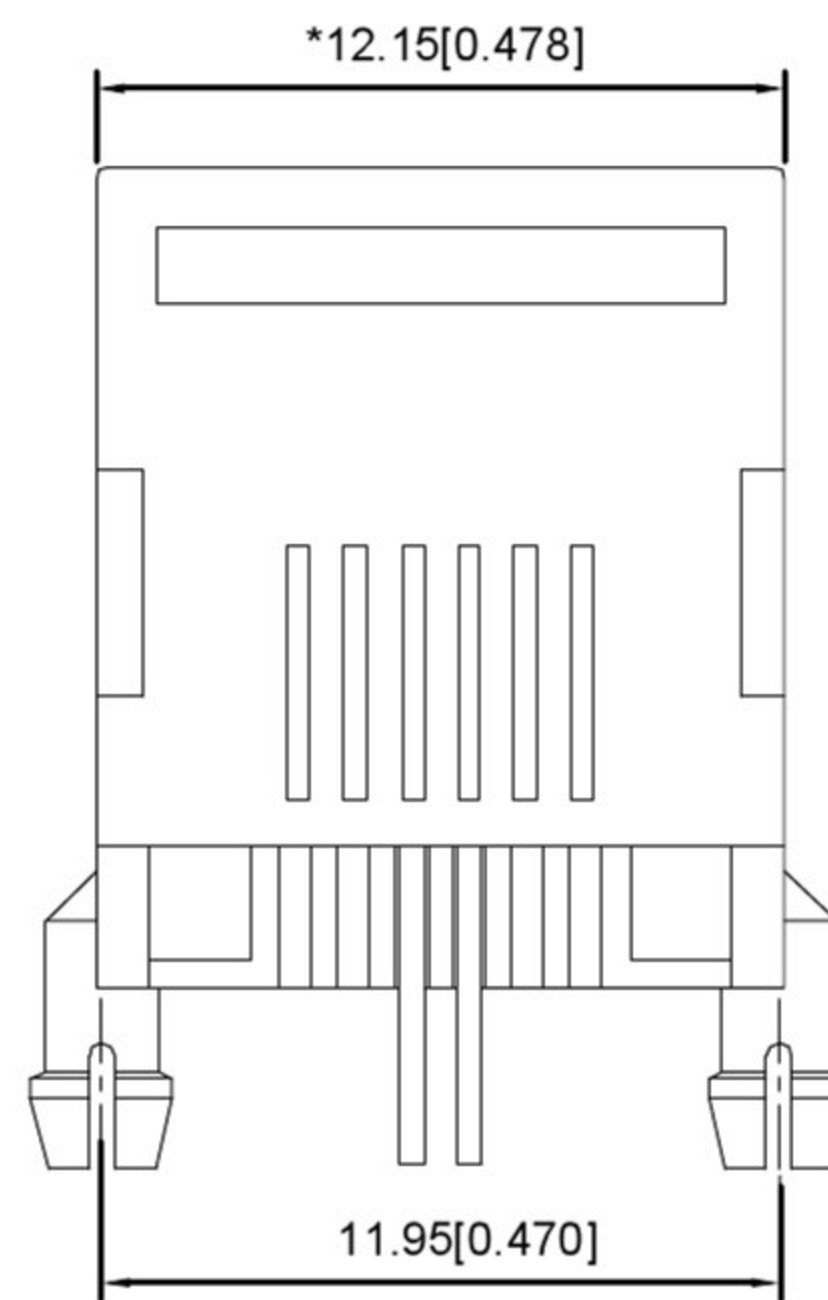
TOP VIEW



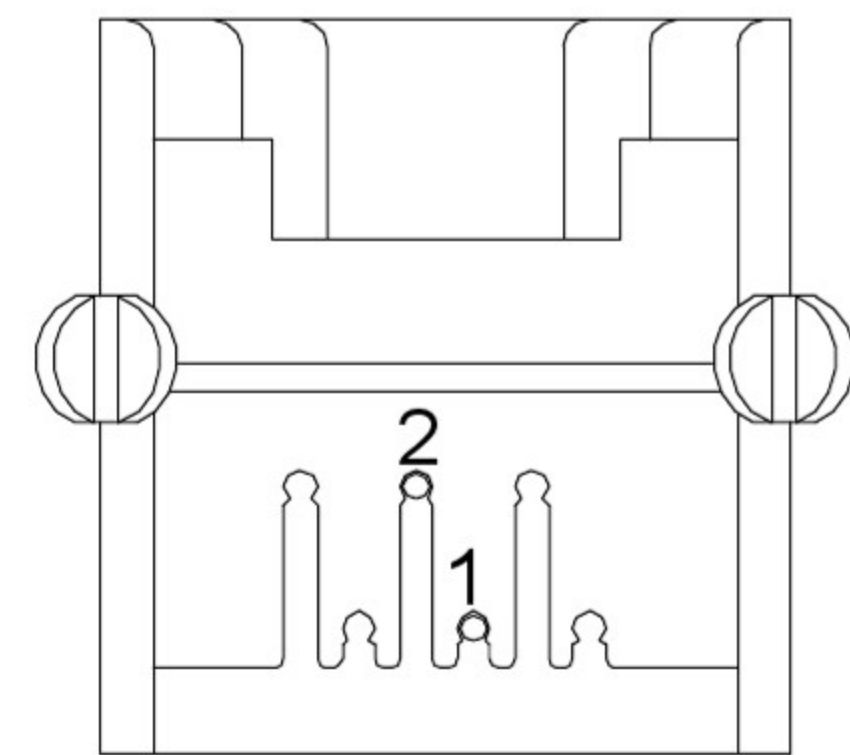
FRONT VIEW



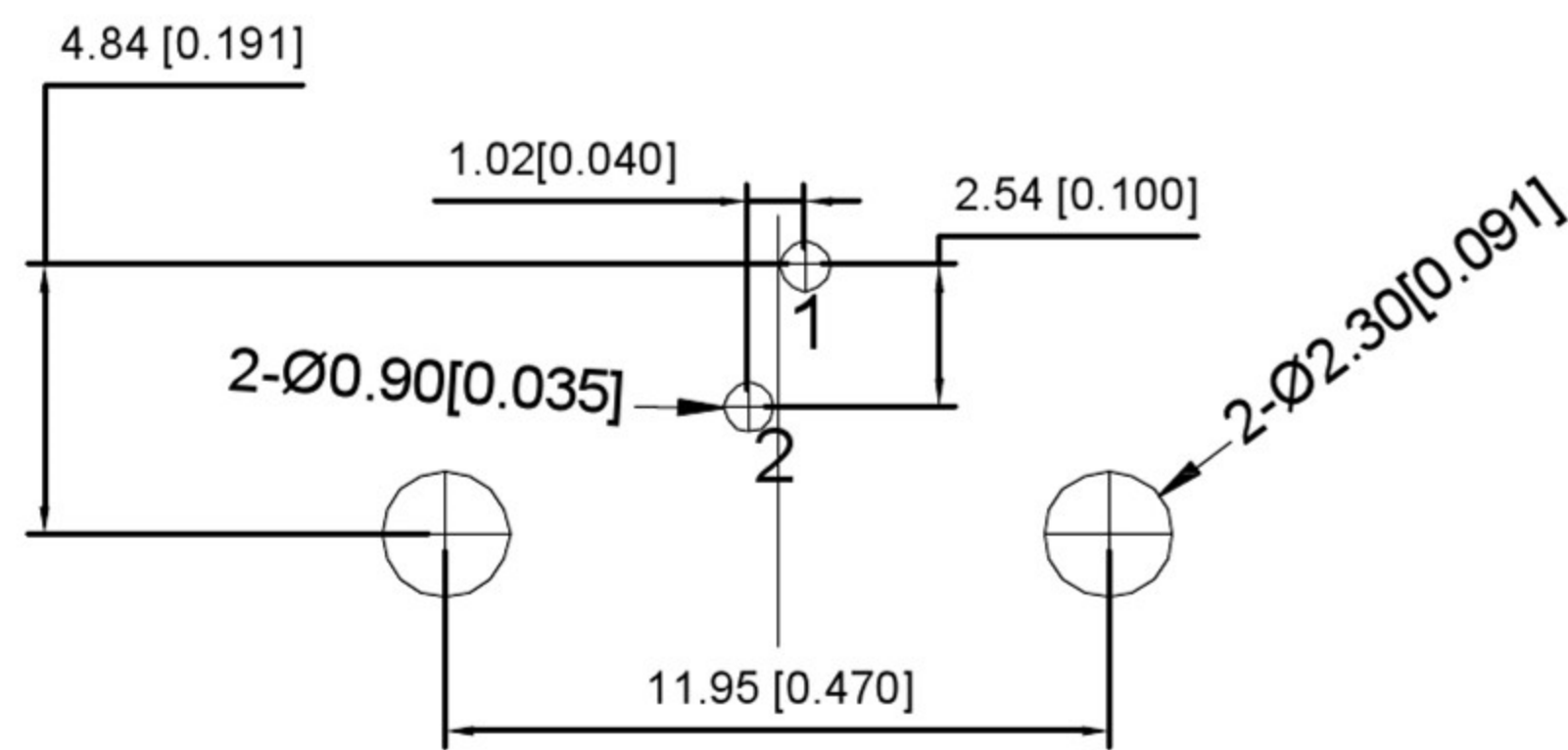
RIGHT SIDE VIEW



BACK VIEW



BOTTOM VIEW



RECOMMENDED PCB LAYOUT VIEWED FROM COMPONENT SIDE

MATERIAL 材料:

HOUSING 外壳: PBT,UL94V-0,BLACK.

TERMINAL 端子: PHOSPHOR BRONZE $\varnothing=0.46\text{MM}$, GOLD PLATING

MECHANICAL 机械:

DURABILITY 耐用性: 750 CYCLES MIN, 12.5MM/MINUTE.

INSERTION FORCE 插入力: 2.2KG.F MAX

RETENTION STRENGTH 保持力: 7.7KG.F BETWEEN JACK AND PLUG.

OPERATING TEMPERATURE 工作温度: $-40^{\circ}\text{C}\sim+85^{\circ}\text{C}$.

STORAGE TEMPERATURE 储存温度: $-40^{\circ}\text{C}\sim+85^{\circ}\text{C}$.

ALL CRITICAL DIMENSIONS WITH ""

ELECTRICAL 电气:

VOLTAGE 电压: 125 VOLTS AC.

CURRENT RATING 电流额定值: 1.5AMP.

DIELECTRIC STRENGTH 介电强度: 1000 VAC RMS 50HZ OR 60HZ, 1 MIN

INSULATION RESISTANCE 绝缘电阻: 500 MEGA OHMS MIN. INITIAL

AFTER 500V DC FOR 1 MINUTE.

CONTACT RESISTANCE 接触电阻: SINGLE TERMINAL 30 MILLIOHMS MAX.

INITIAL 50 MILLIOHMS MAX. AFTER

DURABILITY TEST.



| | | | | | | | |
|------------------------|-----------------|---------------------------------------|------|-------------|---------------------------|-------|----------|
| ANGULAR | $\pm 5^{\circ}$ | | DSND | SCALE: N/A | MODEL TYPE: RJ11 | | |
| $L \leq 4$ | ± 0.2 | | DWN | VIEW: | PART NO.: | | |
| $4 < L \leq 16$ | ± 0.3 | | CHKD | UNIT: mm/in | DWG NO.: | | |
| $16 < L \leq 63$ | ± 0.4 | | APPD | SIZE: A4 | XB-X09AJIWA1DY1017 | | |
| $L > 63$ | ± 0.5 | | | | WEIGHT | SHEET | REVISION |
| UNSPECIFIED TOLERANCES | | DONG GUAN XI BANG ELECTRONIC CO., LTD | | | | 1/1 | A0 |