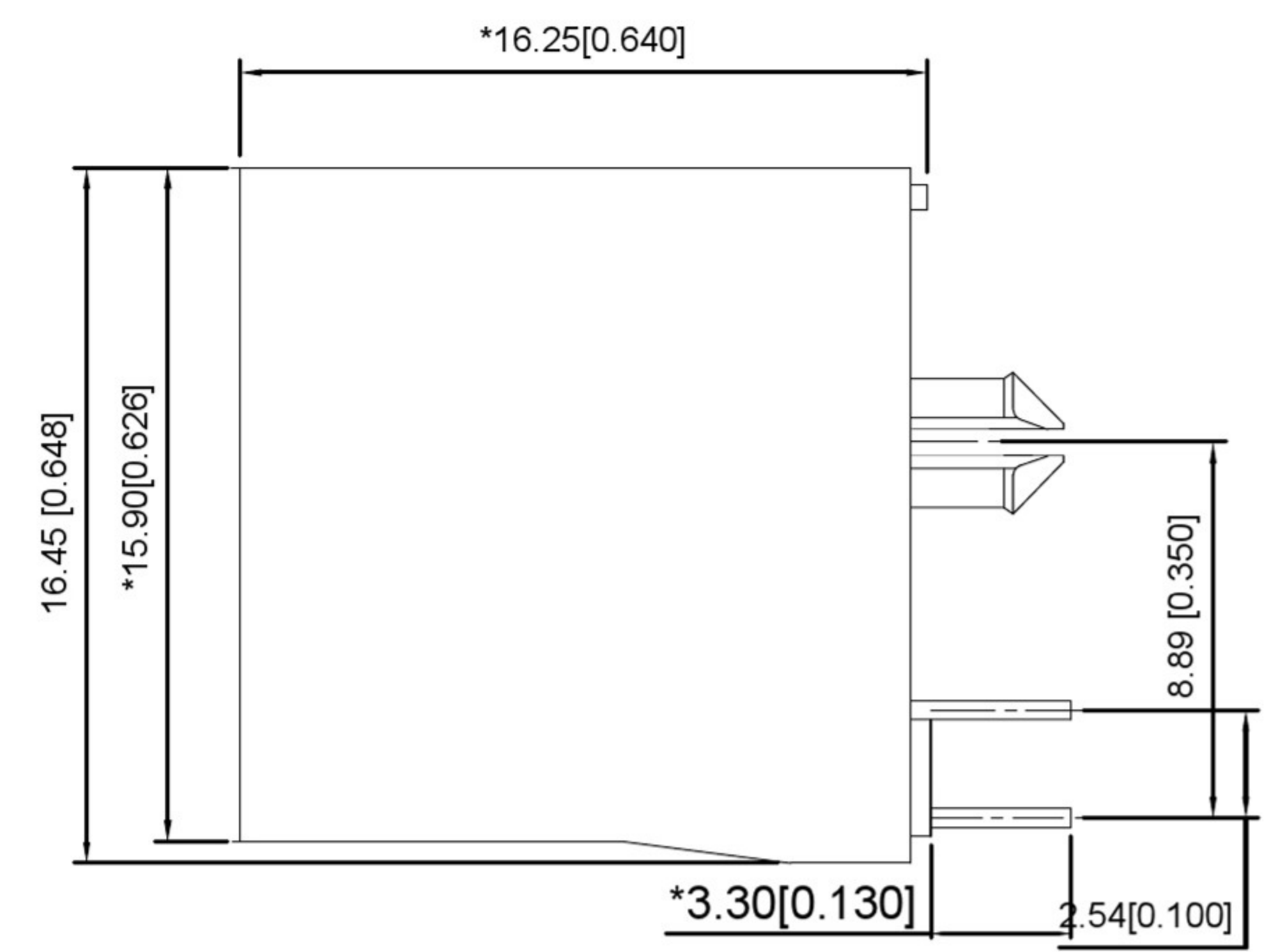
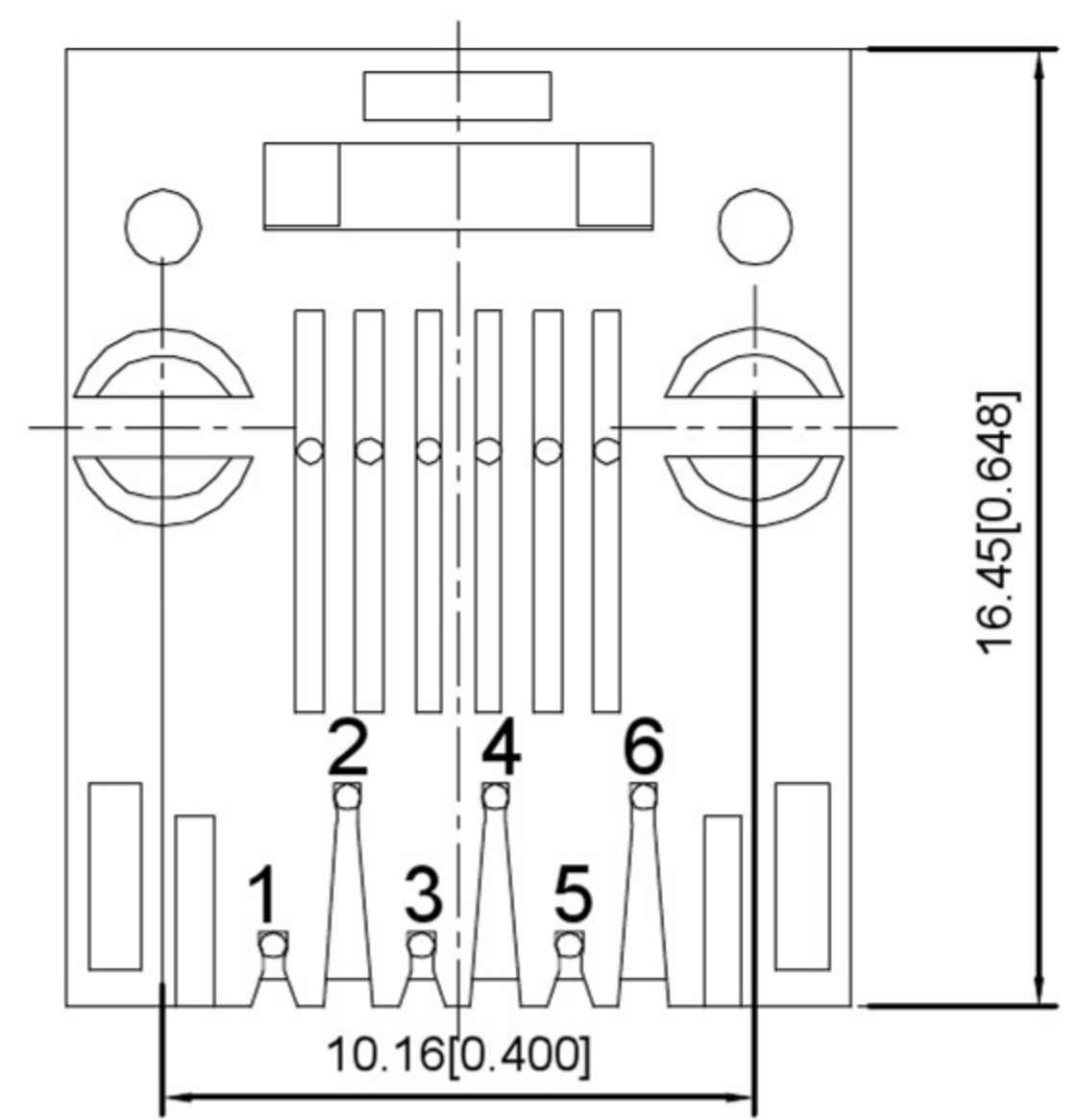


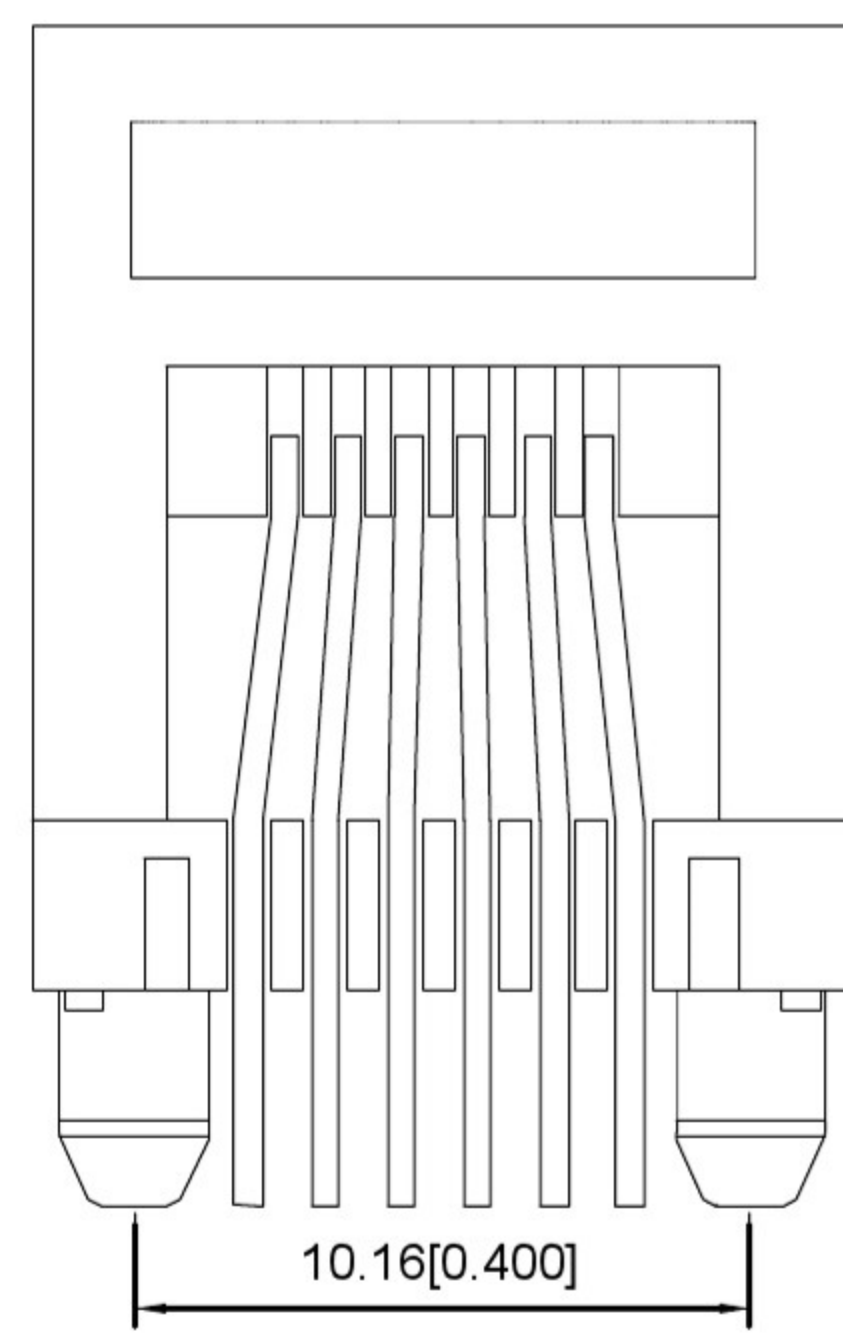
FRONT VIEW



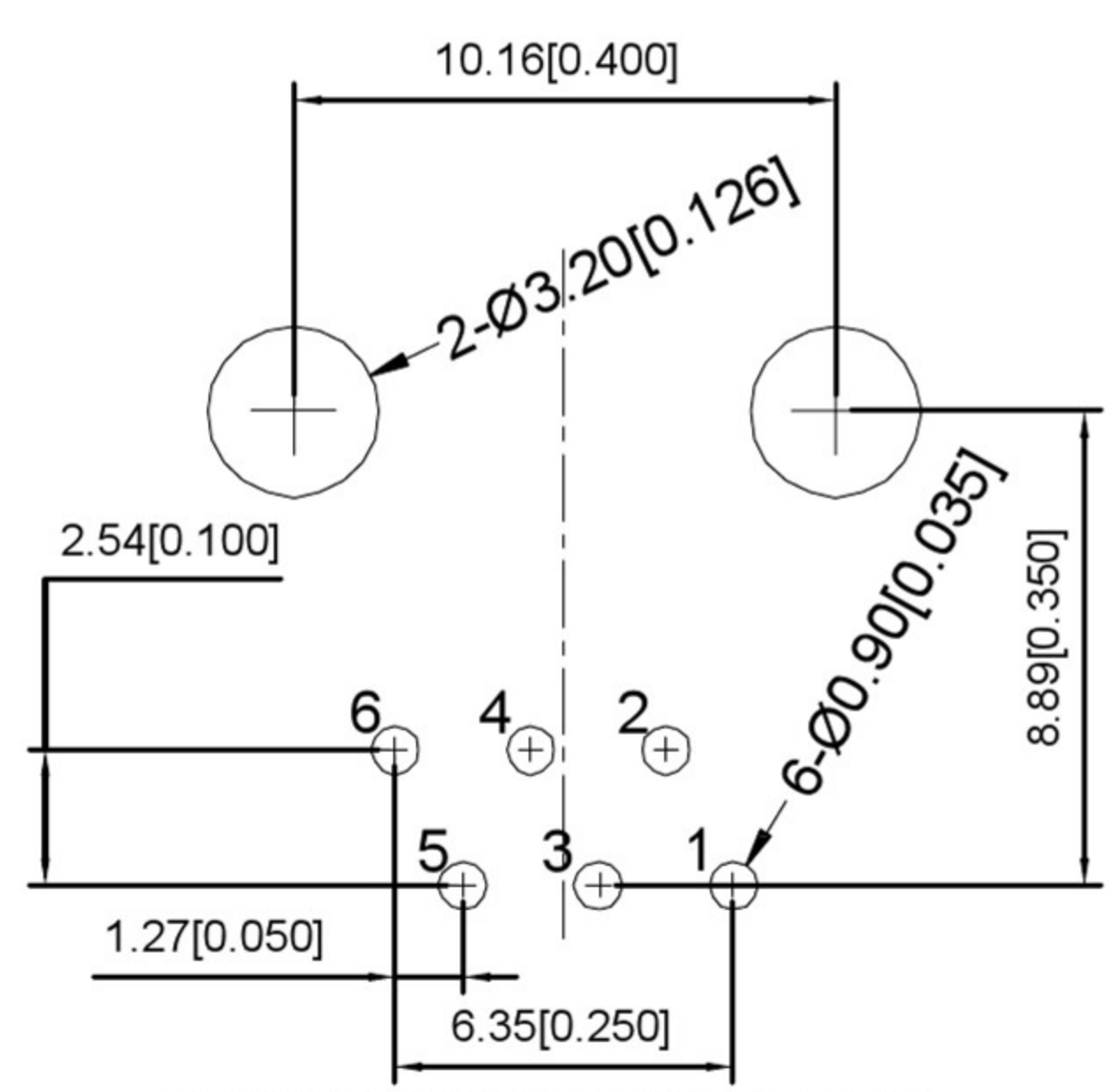
RIGHT SIDE VIEW



BACK VIEW



BACK VIEW



RECOMMENDED PCB LAYOUT VIEWED FROM COMPONENT SIDE



**MATERIAL 材料:**  
**HOUSING 外壳:** PBT,UL94V-0,BLACK.  
**TERMINAL 端子:** PHOSPHOR BRONZE Ø=0.46MM,GOLD PLATING  
**MECHANICAL 机械:**  
**DURABILITY 耐用性:** 750 CYCLES MIN,12.5MM/MINUTE.  
**INSERTION FORCE 插入力:** 2.2KG.F MAX  
**RETENTION STRENGTH 保持力:** 7.7KG.F BETWEEN JACK AND PLUG.  
**OPERATING TEMPERATURE 工作温度:** -40°C~+85°C.  
**STORAGE TEMPERATURE 储存温度:** -40°C~+85°C.  
**ALL CRITICAL DIMENSIONS WITH "\*\*"**  
**ELECTRICAL 电气:**  
**VOLTAGE 电压:** 125 VOLTS AC.  
**CURRENT RATING 电流额定值:** 1.5AMP.  
**DIELECTRIC STRENGTH 介电强度:** 1000 VAC RMS 50HZ OR 60HZ,1 MIN  
**INSULATION RESISTANCE 绝缘电阻:** 500 MEGA OHMS MIN.INITIAL  
**AFTER 500V DC FOR 1 MINUTE.**  
**CONTACT RESISTANCE 接触电阻:** SINGLE TERMINAL 30 MILLIOHMS MAX.  
**INITIAL 50 MILLIOHMS MAX. AFTER DURABILITY TEST.**

				ANGLAR	±5°		DSND	SCALE: N/A	MODEL TYPE: RJ12		
				L ≤ 4	±0.2		DWN	VIEW:	PART NO.:		
				4 < L ≤ 16	±0.3		CHKD	UNIT: mm/in	DWG NO.:		
				16 < L ≤ 63	±0.4		APPD	SIZE: A4	XB-X04AH1 WA1DY1017		
				L > 63	±0.5	DONG GUAN XI BANG ELECTRONIC CO., LTD			WEIGHT	SHEET	REVISION
REVISIONS				UNSPECIFIED TOLERANCES						1/1	A0
www.alpsr.com www.gdxjdz.com www.xbswitch.com											