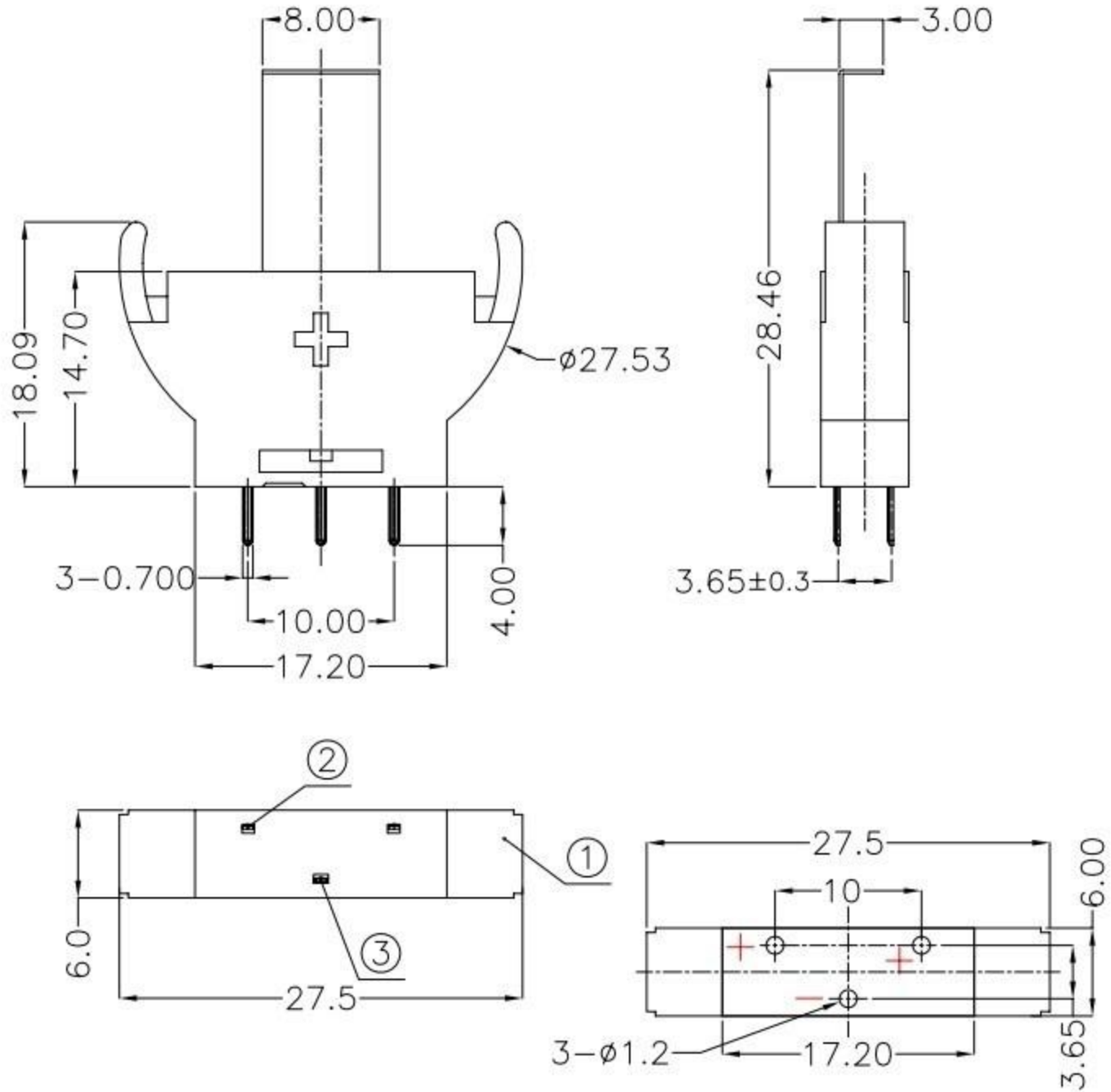




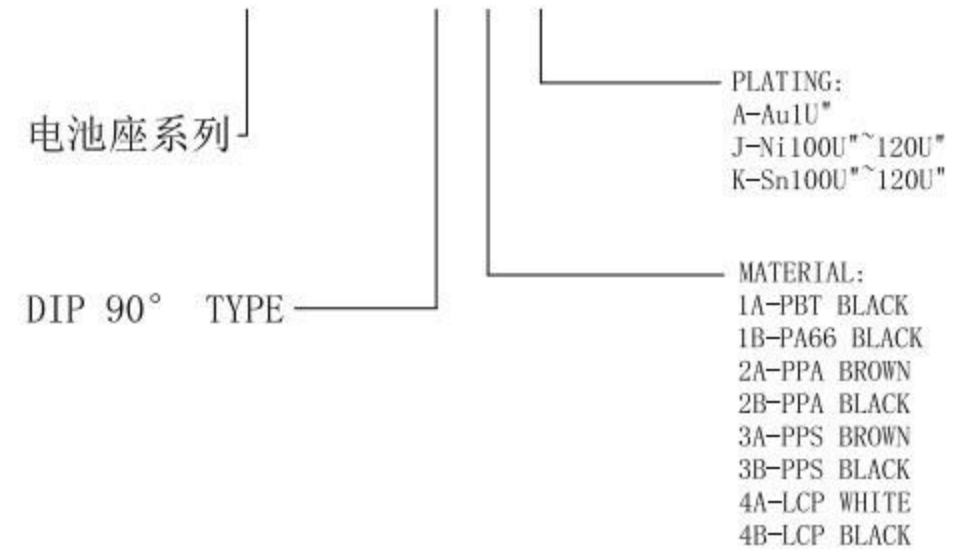
REV.	ECN NO.	REVISED	DATE



NOTE:

- MATERIAL:
 - HOUSING: PA66
 - CONTACT: PHOSPHOR BRONZE (SURFACE PLATING: Sn 100u"~120u")
SEE ORDERING INFORMATION
- ELECTRIC:
 - CONTACT RESISTANCE: 30 MILLIOHMS MAX
 - INSULATION RESISTANCE: 1000 MEGA OHMS MIN
 - DIELECTRIC VOLTAGE: 500V AC ONE SEC LEVEL
 - OPERATING TEMPERATURE: -25°C~ +85°C

ORDERING INFORMATION



PCB Layout Diagram
Top View

UNLESS OTHERWISE SPECIFIED TOLERANCES		东莞市溪榜电子有限公司 DONG GUAN XI BANG ELECTRONICS CO., LTD.			
DECIMALS:	ANGLES:	DSND	DATE	2017-07-16	TITLE:
X : ±0.30	X : ±1°	CHKD	DATE	2017-07-16	
X.X : ±0.25	X.X : ±0.5°	APVD	DATE	2017-07-16	PART NO.:
X.XX : ±0.20		WEIGHT: 2.35g	SCALE: 2:1	SIZE: A4	VIEW:
X.XXX : ±0.10		SHEET 1 OF 1	UNIT: mm	REV.: A/0	OBJECT: MY
				DATE	DRAW NO.:

3	TERMINAL(-)	1	PHOSPHOR BRONZE,T=0.25mm	Sn Plating
2	TERMINAL(+)	1	PHOSPHOR BRONZE,T=0.25mm	Sn Plating
1	HOUSING	1	PA66	BLACK
NO.	PART NAME	Q'TY	MATERIAL	PLATING & COLOR