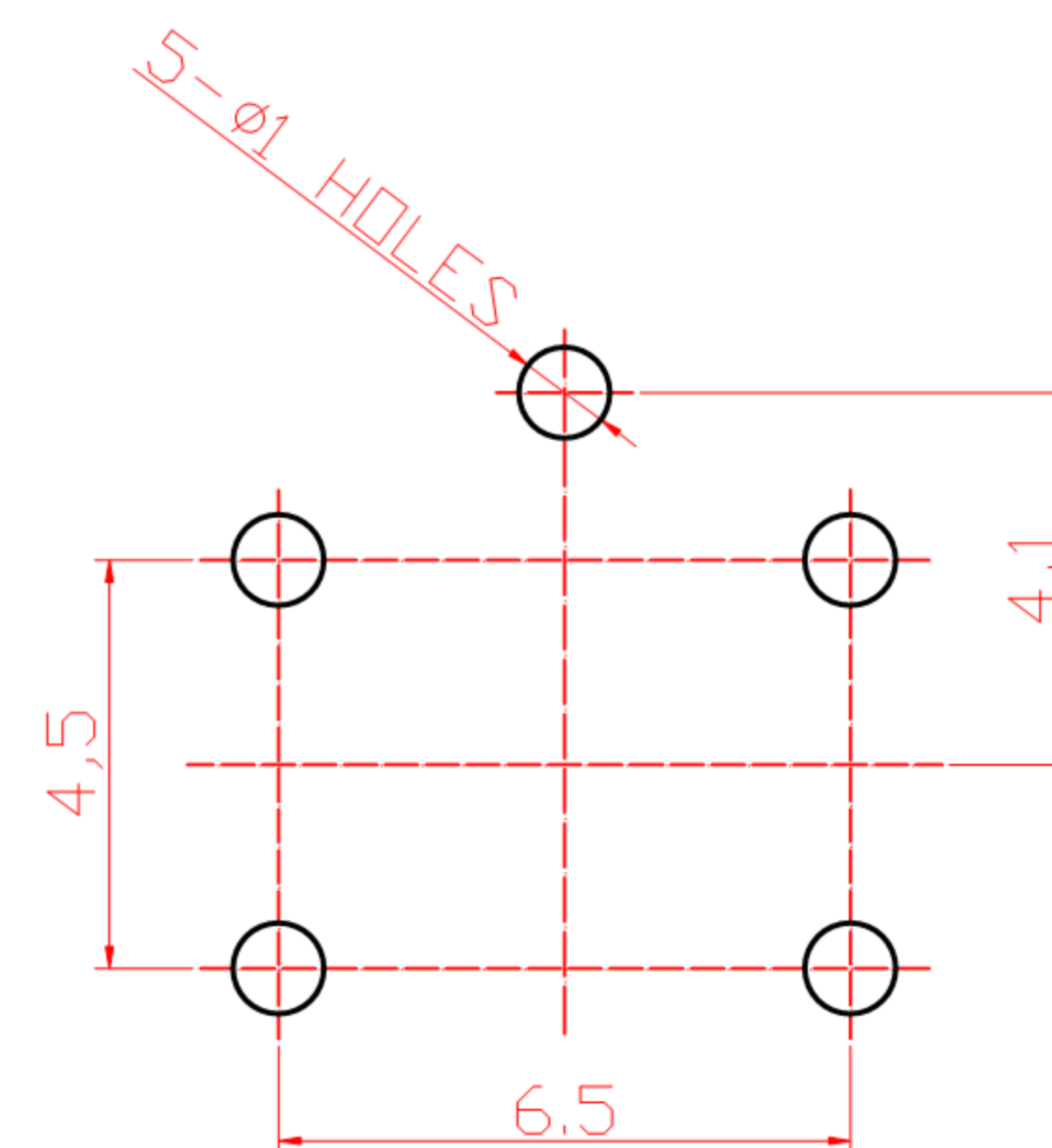
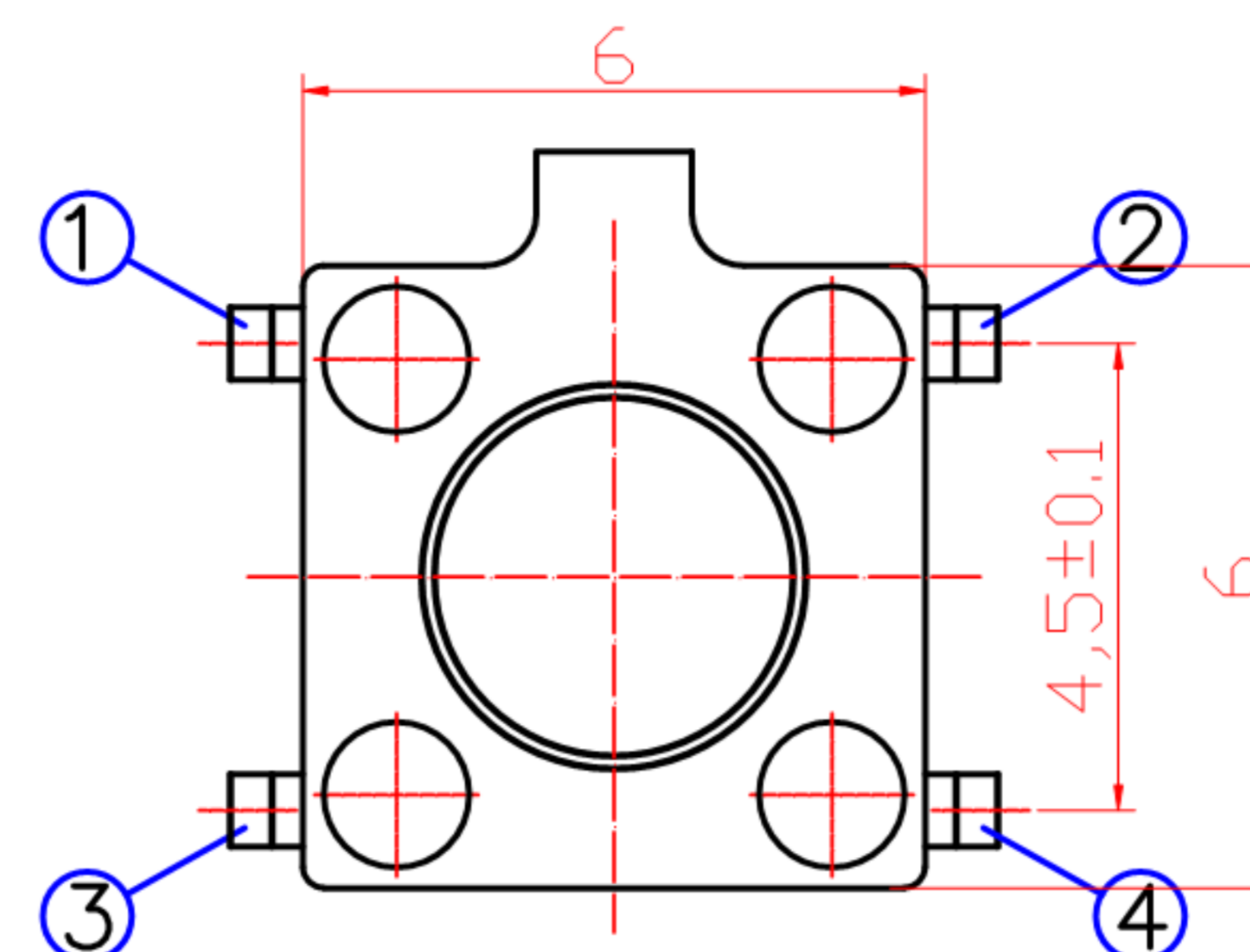
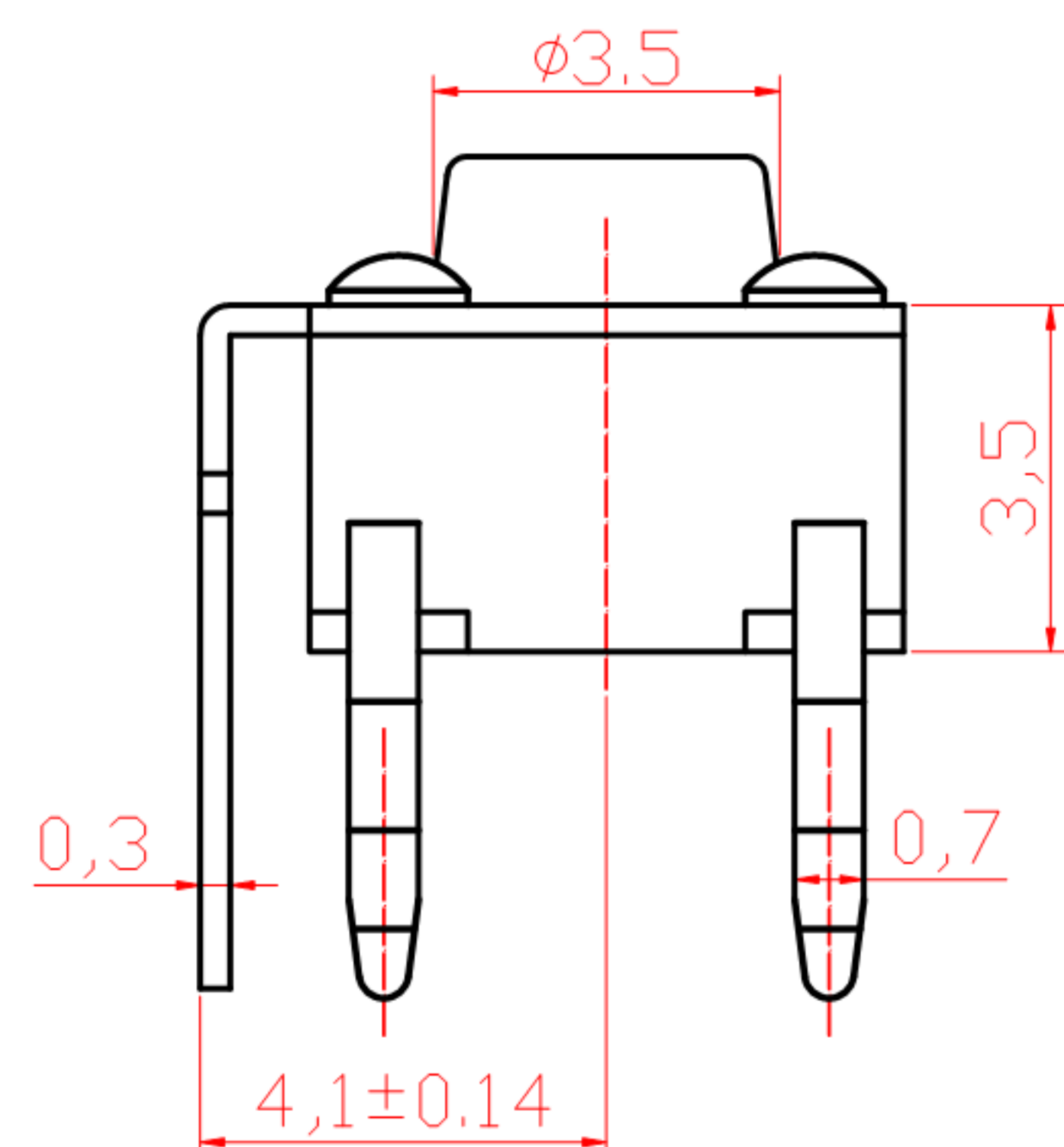
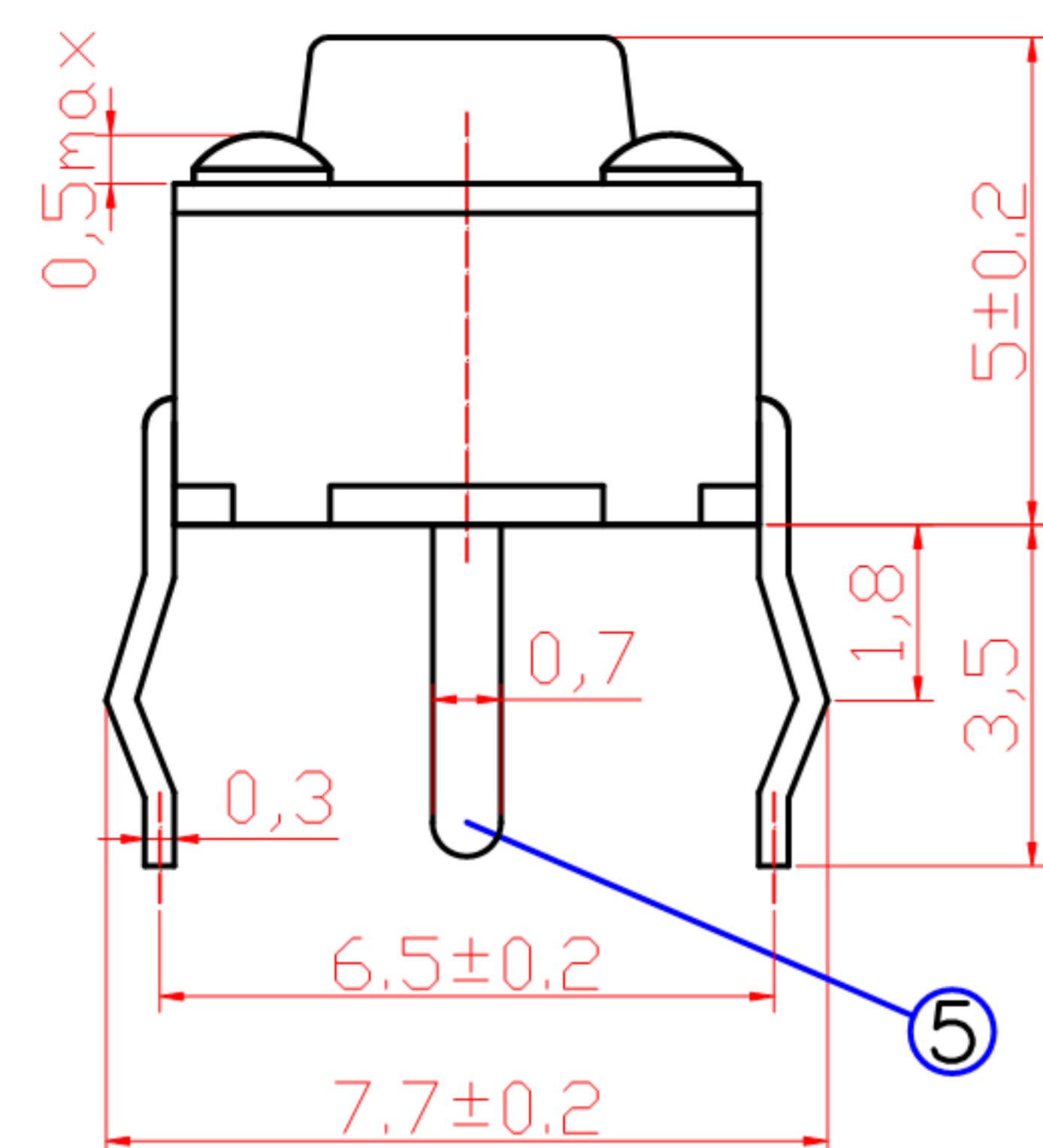
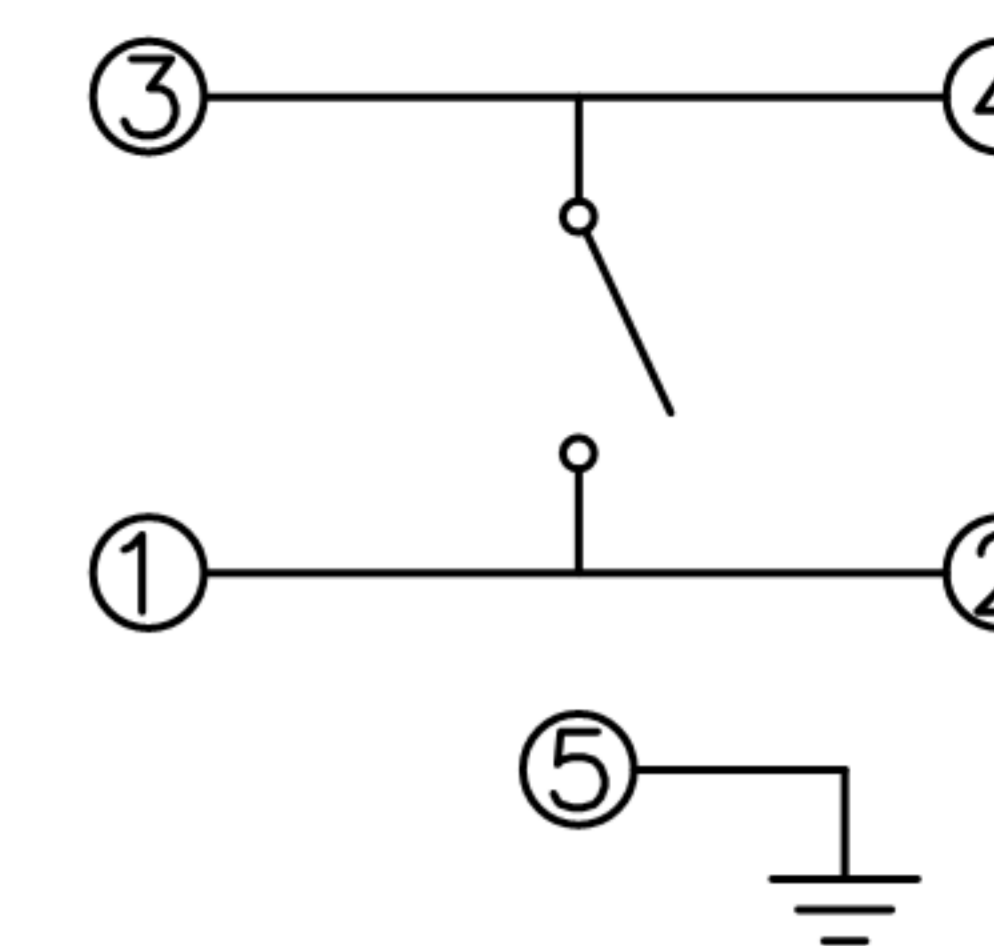


CAD FILE:



印制线路板图



SCHEMATIC

主要技术规格:

1. 额定值: 50mA DC12V
2. 接触电阻:  $\leq 50m\Omega$
3. 操作力:  $250 \pm 40gf$
4. 行程:  $0.25 \pm 0.1mm$
5. 绝缘电阻:  $\geq 100M\Omega$
6. 抗电强度: 250V 50HZ 1Min.
7. 寿命: 100,000 Cycles

NO.	PARTS	MATERIALS	Q'TY	FINISH	TOLERANCE UNLESS SPECIFIED		DESCRIPTIONS OF REVISION				
8					WITHIN 1.5mm	$\pm 0.1mm$	A	2012-9-25	初版	ZENQ. CHEN	
7					OVER 1.5mm	$\pm 0.2mm$	ISSUE	DATE		APPD.	
6					TITLE : TACT SWITCH			UNIT : mm	DRWG NO.: XB-TS-6060-5P-D		
5					MODEL:			SCALE: 5:1	DWN.	JUN. YANG	2012-9-25
4	CONTACT	SUS	1	Ag CLAD	<b>东莞市溪榜电子有限公司</b> DONG GUAN XI BANG ELECTRONICS CO., LTD.			CHK'D	DONG. PANG	2012-9-25	
3	CASE	PPA/BRASS SRTIP	1	BLACK/Ag PLATED				APPD.	ZENQ. CHEN	2012-9-25	
2	COVER	STEEL STRIP	1	Ni PLATED							
1	KNOB	PPA	1	BLACK							