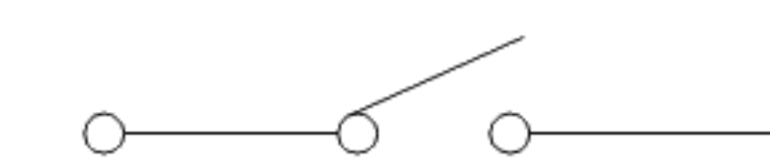
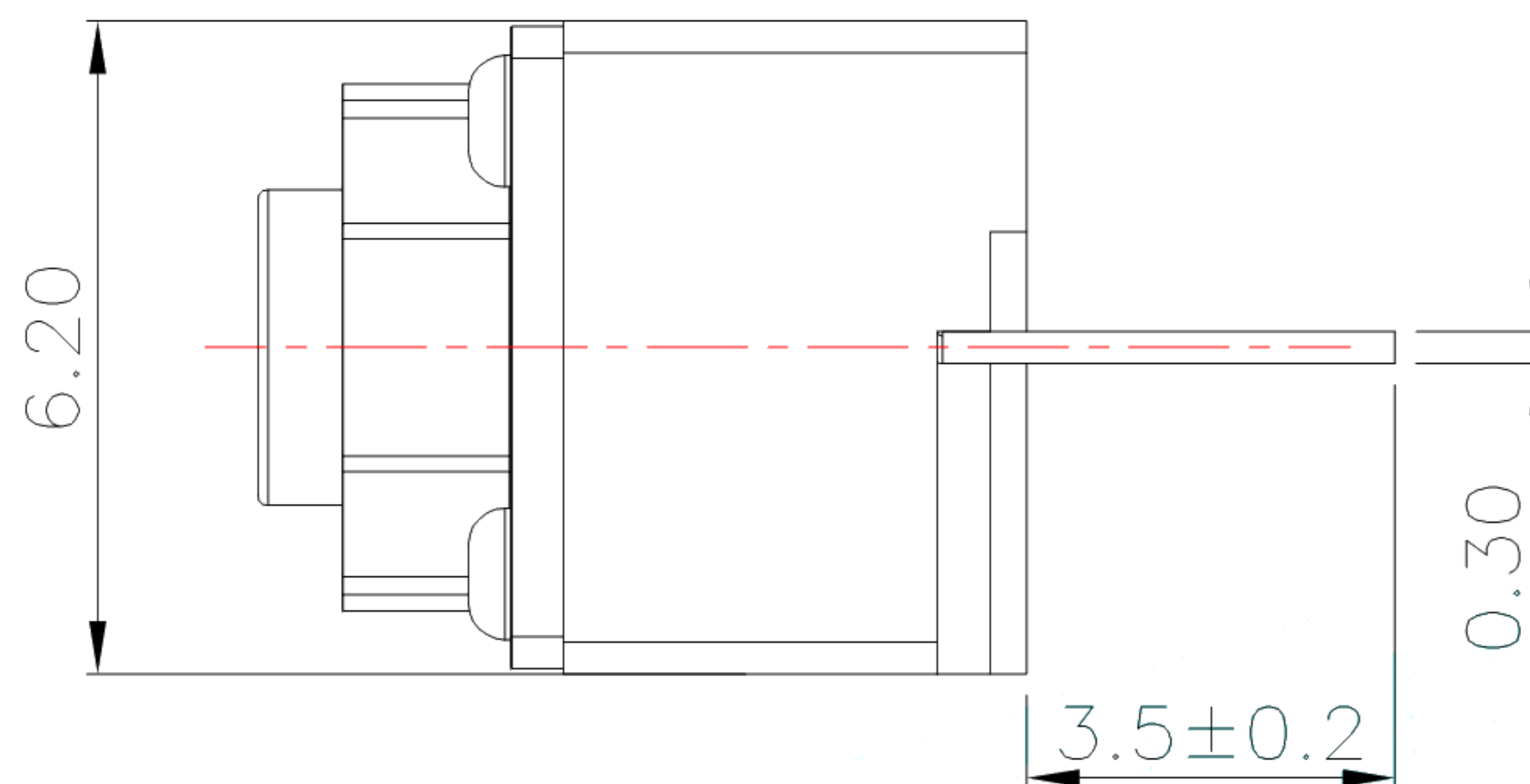
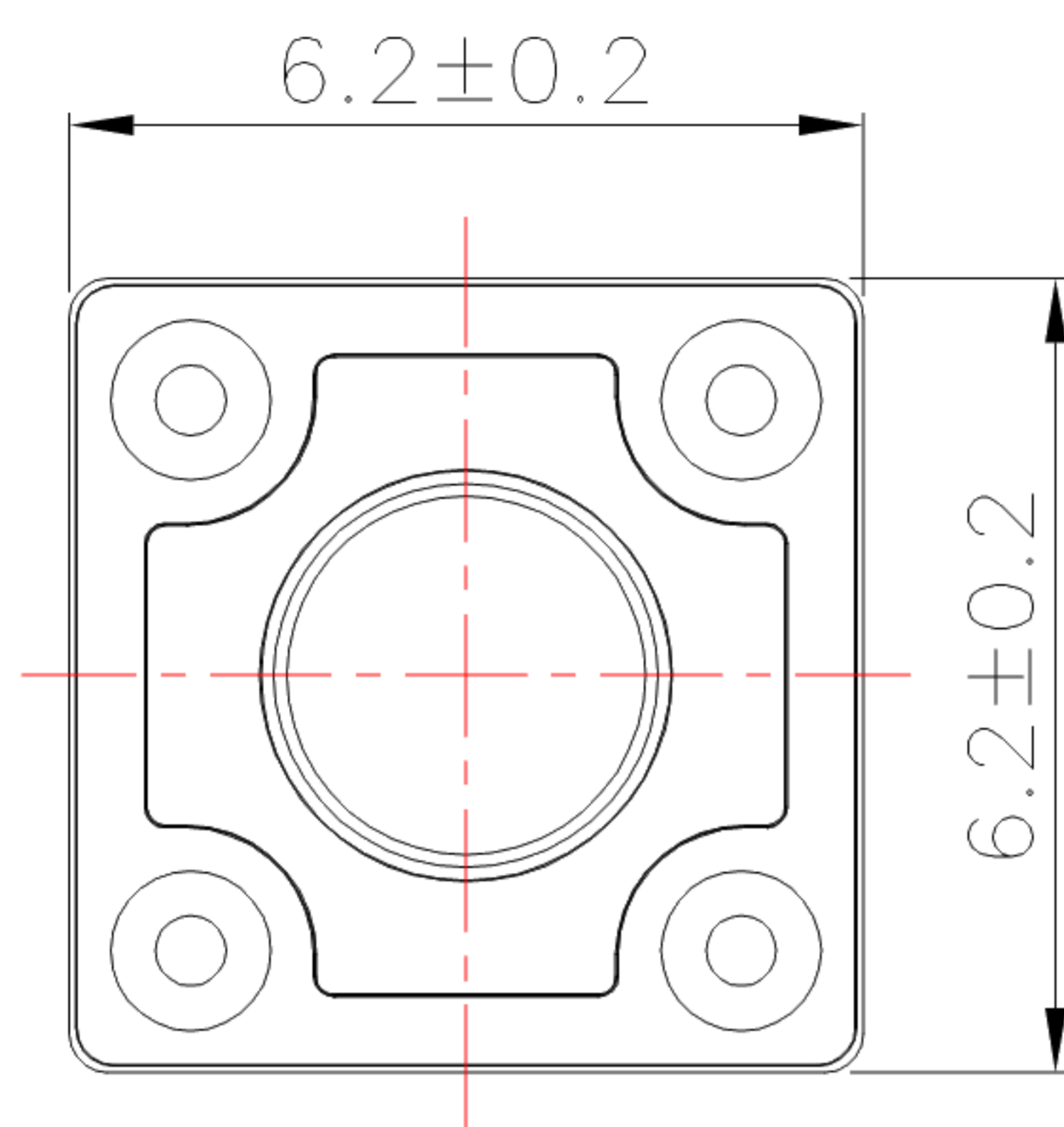
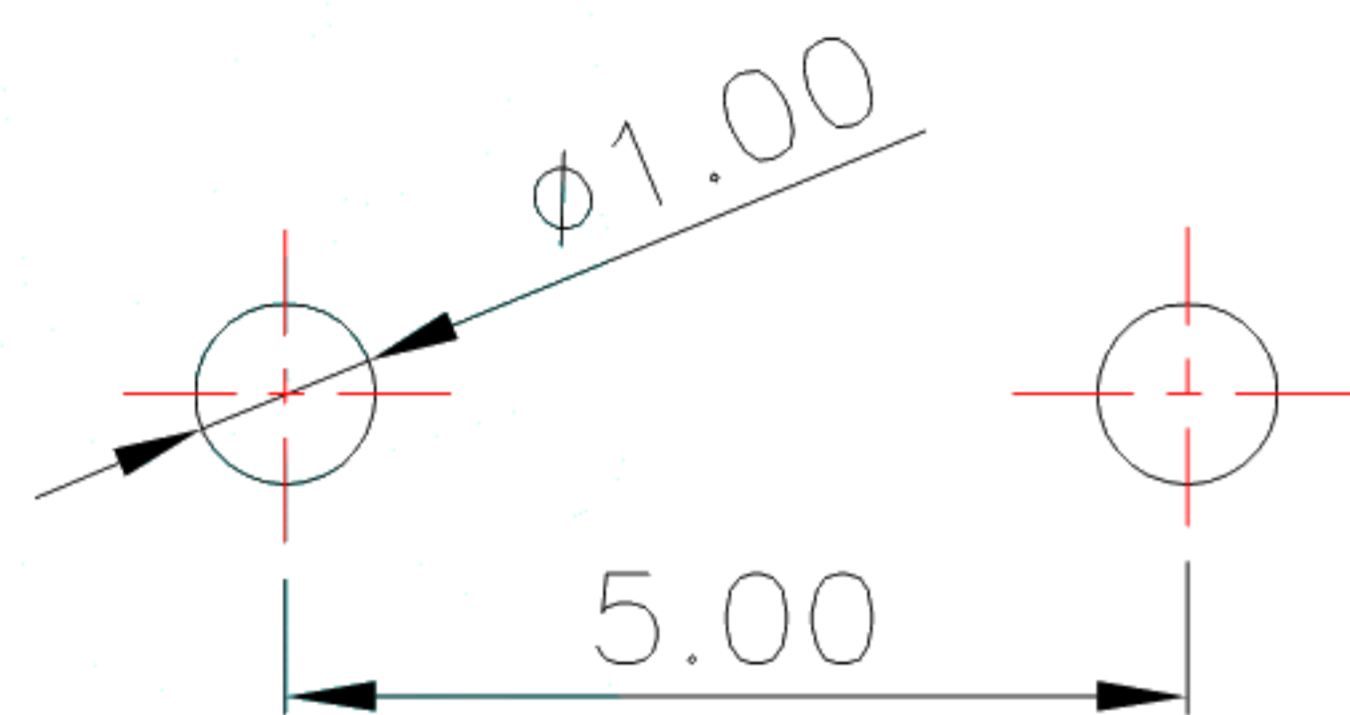
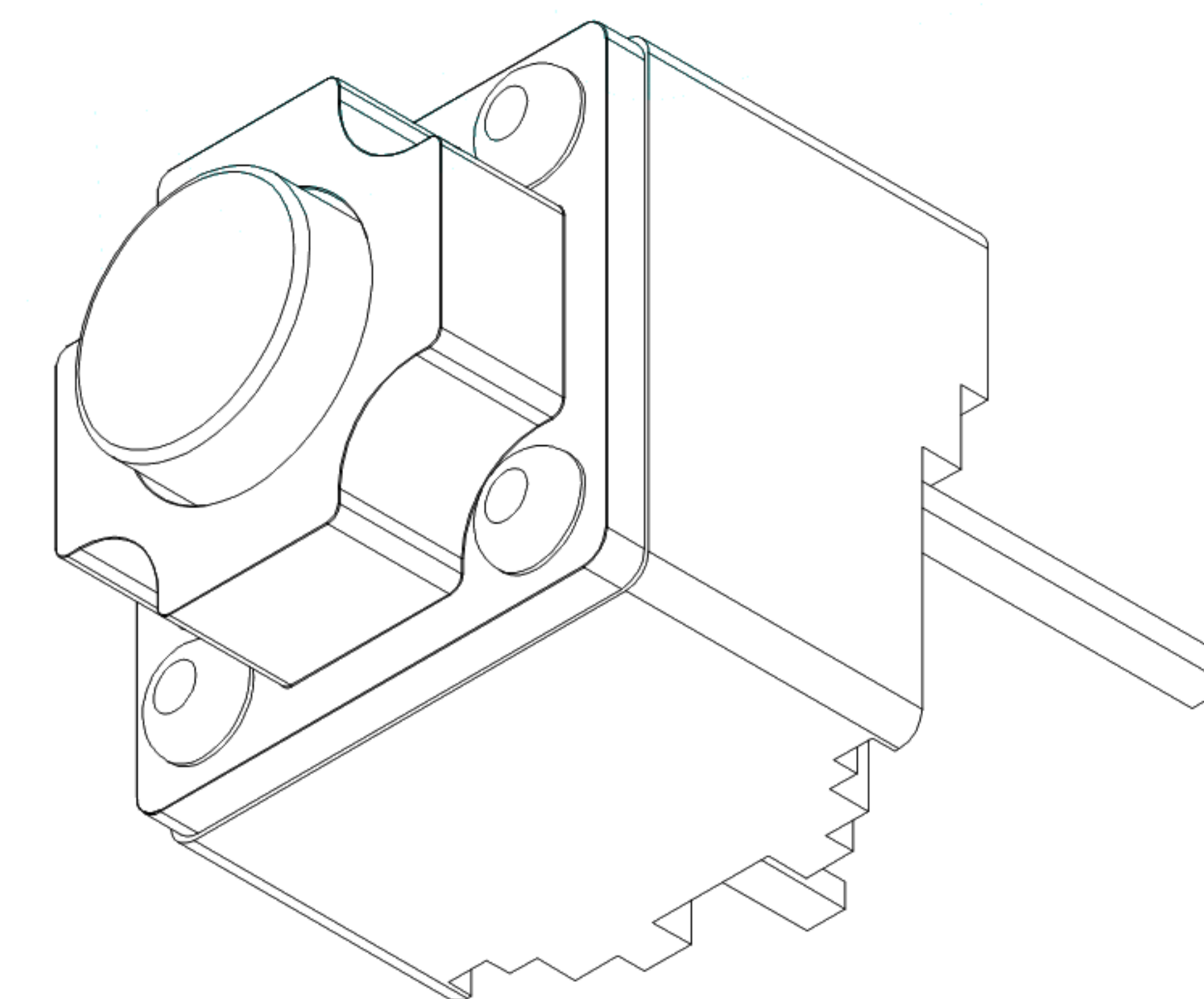


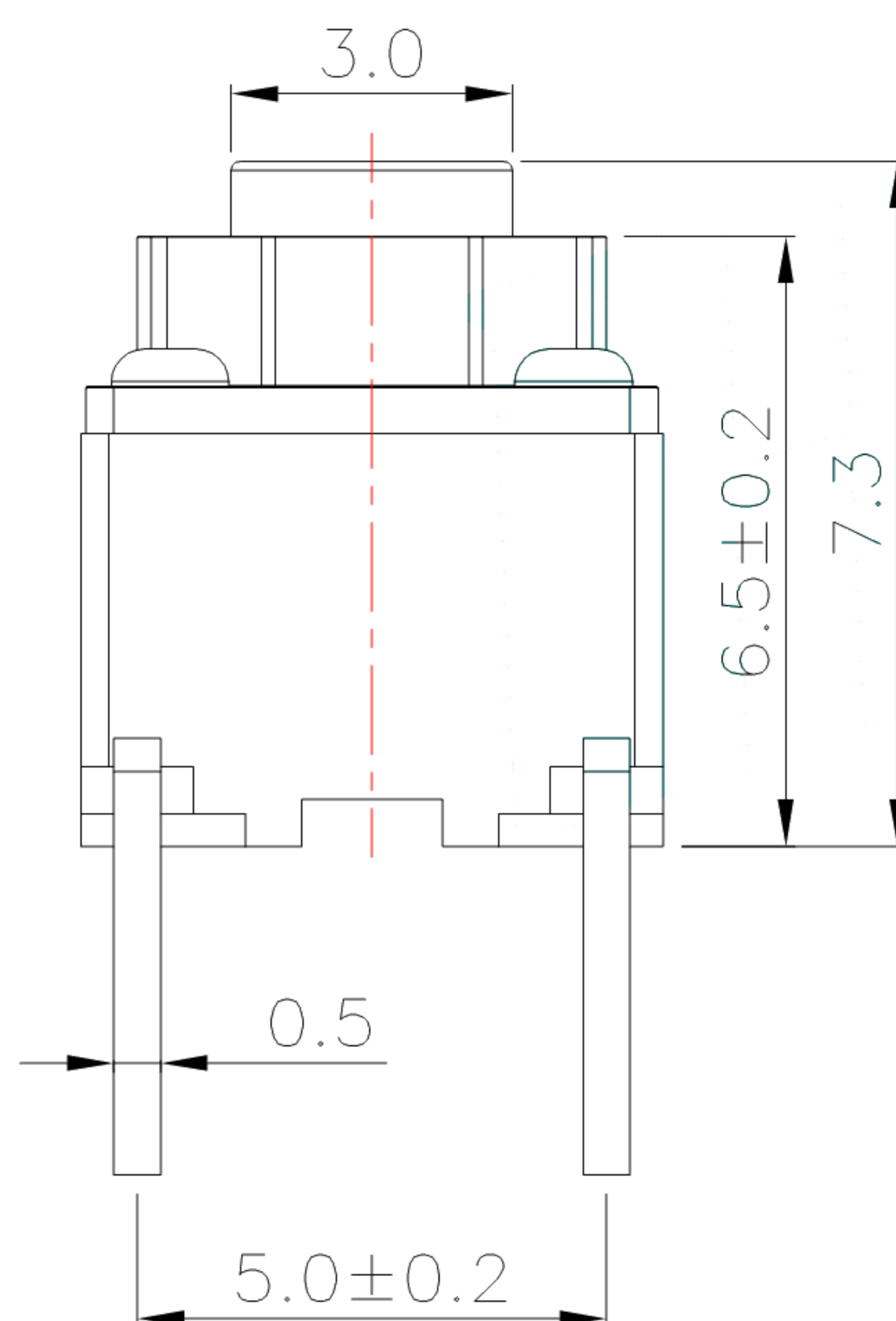
CAD FILE:



SCHEMATIC



PCB Layout(Pattern Side)



NOTE:  
 Rating:DC 12V 50mA  
 Operating Force: 100±30gf  
 Travel: 0.25±0.1mm  
 Life: 1,000,000 Cycles

注：“\*”表示关键尺寸(4个).

NO.	PARTS	MATERIALS	Q'TY	FINISH	TOLERANCE UNLESS SPECIFIED	ISSUE	DATE	DESCRIPTIONS OF REVISION	APPD.
8									
7									
6					WITHIN 1.5mm : ±0.1mm	A	2012-9-25	初版	ZENQ. CHEN
5					OVER 1.5mm : ±0.2mm	ISSUE	DATE	DESCRIPTIONS OF REVISION	APPD.
4	CONTACT	SUS	1	Ag CLAD	TITLE : TACT SWITCH			UNIT : mm	DRWG NO.: <b>XB-TS-1819DP</b>
3	CASE	PPA/BRASS SRTIP	1	BLACK/Ag PLATED	MODEL:			SCALE: 5:1	DWN. JUN. YANG 2012-9-25
2	COVER	STEEL STRIP	1	Ni PLATED	<b>东莞市溪榜电子有限公司</b> DONG GUAN XI BANG ELECTRONICS CO., LTD.			CHK'D	DONG. PANG 2012-9-25
1	KNOB	PPA	1	BLACK				APPD.	ZENQ. CHEN 2012-9-25