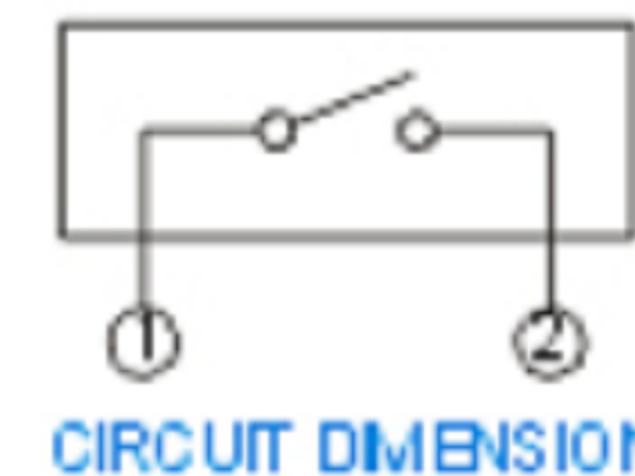
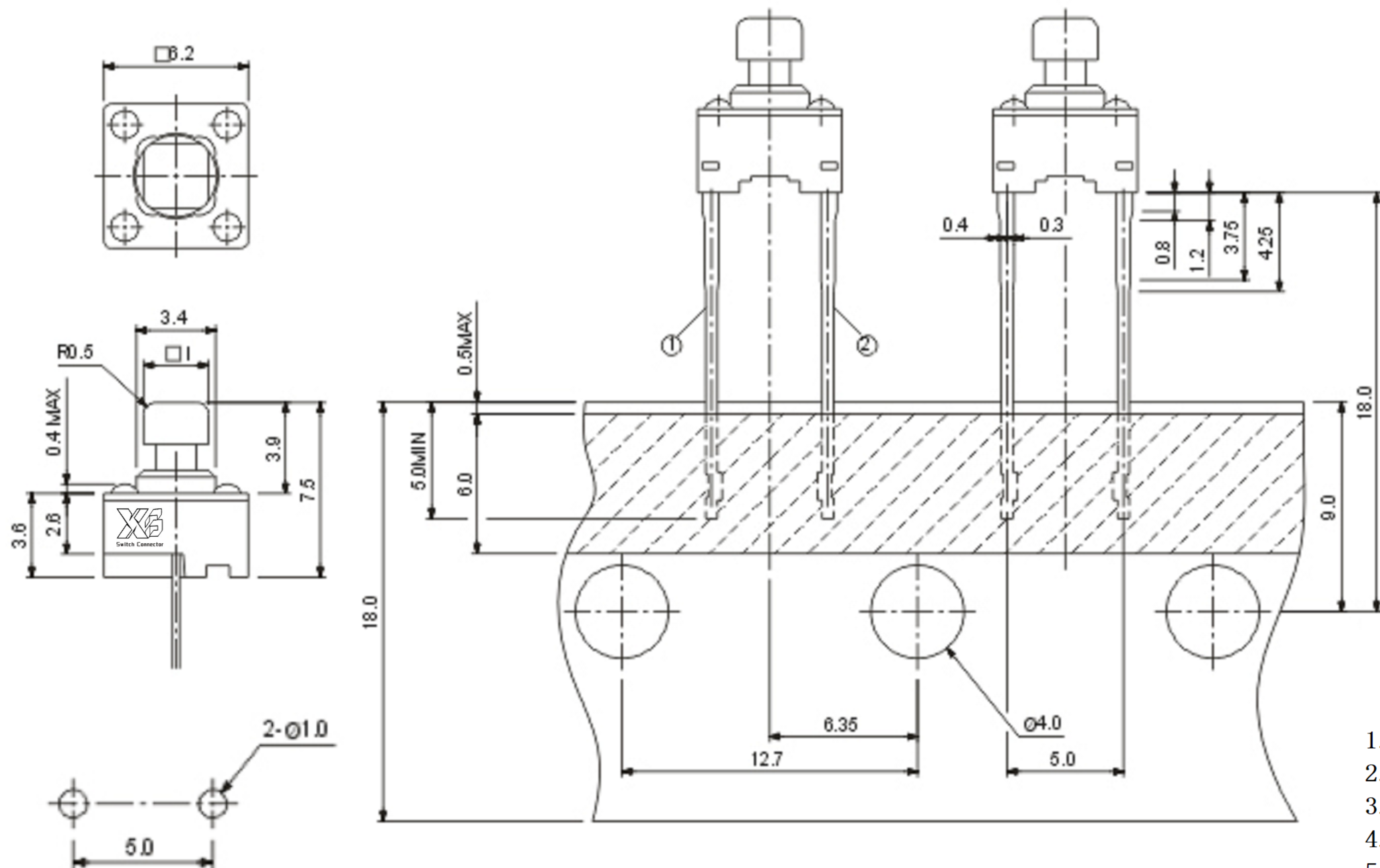


CAD FILE:

ROHS



1. Contact : Mechanical Contact
2. Travel : 0.25±mm
3. Operating Force : 160±50gf 250±50gf
4. Life : 100,000 Cycles Min.
5. Contact Resistance : 30mΩ Max.
6. Stem Color:Blue /Black
7. L:2.4mm 2.8mm

P.C.B HOLE DIMENSION

| | | | | | | | | | | |
|-----|---------|-----------------|------|-----------------|--|-------|-----------|--------------------------|----------------------|---------------------|
| 8 | | | | | TOLERANCE | | | | | |
| 7 | | | | | UNLESS SPECIFIED | | | | | |
| 6 | | | | | WITHIN 1.5mm : ±0.1mm | A | 2012-9-25 | 初版 | | ZENQ. CHEN |
| 5 | | | | | OVER 1.5mm : ±0.2mm | ISSUE | DATE | DESCRIPTIONS OF REVISION | | APPD. |
| 4 | CONTACT | SUS | 1 | Ag CLAD | TITLE : Tact Switch | | | UNIT : mm | DRWG NO.: XB-TS-1284 | |
| 3 | CASE | PPA/BRASS SRTIP | 1 | BLACK/Ag PLATED | MODEL: XB-TS-1284 | | | SCALE: 5:1 | DWN. | JUN. YANG 2012-9-25 |
| 2 | COVER | STEEL STRIP | 1 | Ni PLATED | 东莞市溪榜电子有限公司 DONG GUAN XI BANG ELECTRONI CS CO., LTD. | | | CHK'D | DONG. PANG | 2012-9-25 |
| 1 | KNOB | PPA | 1 | BLACK | | | | APPD. | ZENQ. CHEN | 2012-9-25 |
| NO. | PARTS | MATERIALS | Q'TY | FINISH | | | | | | |