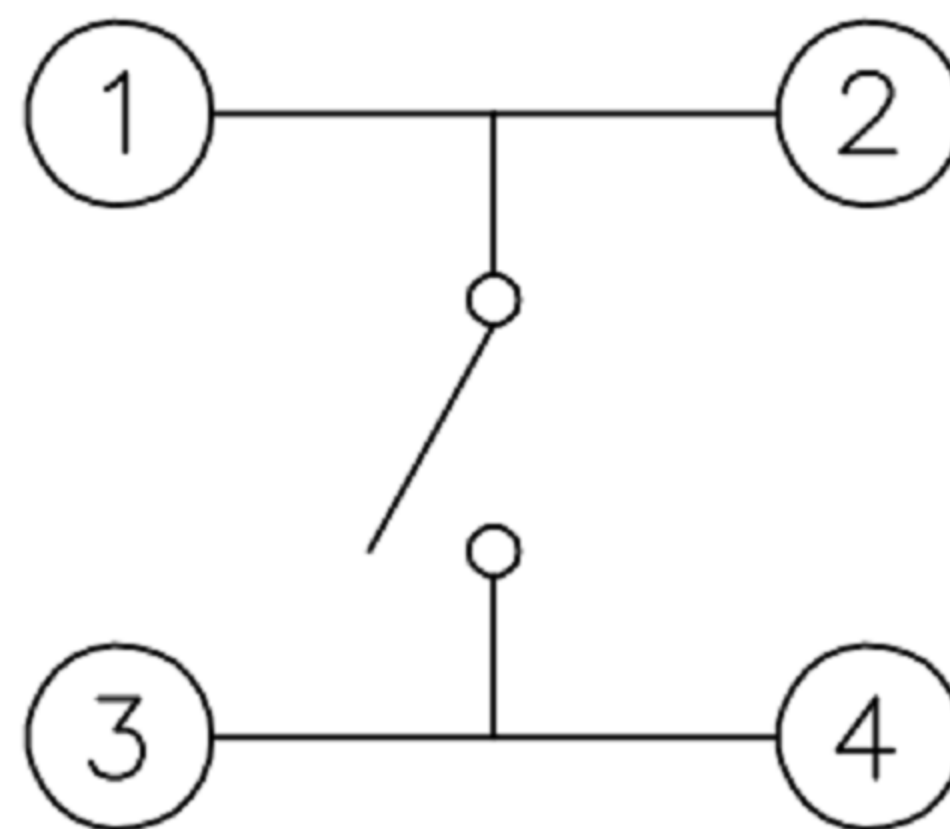
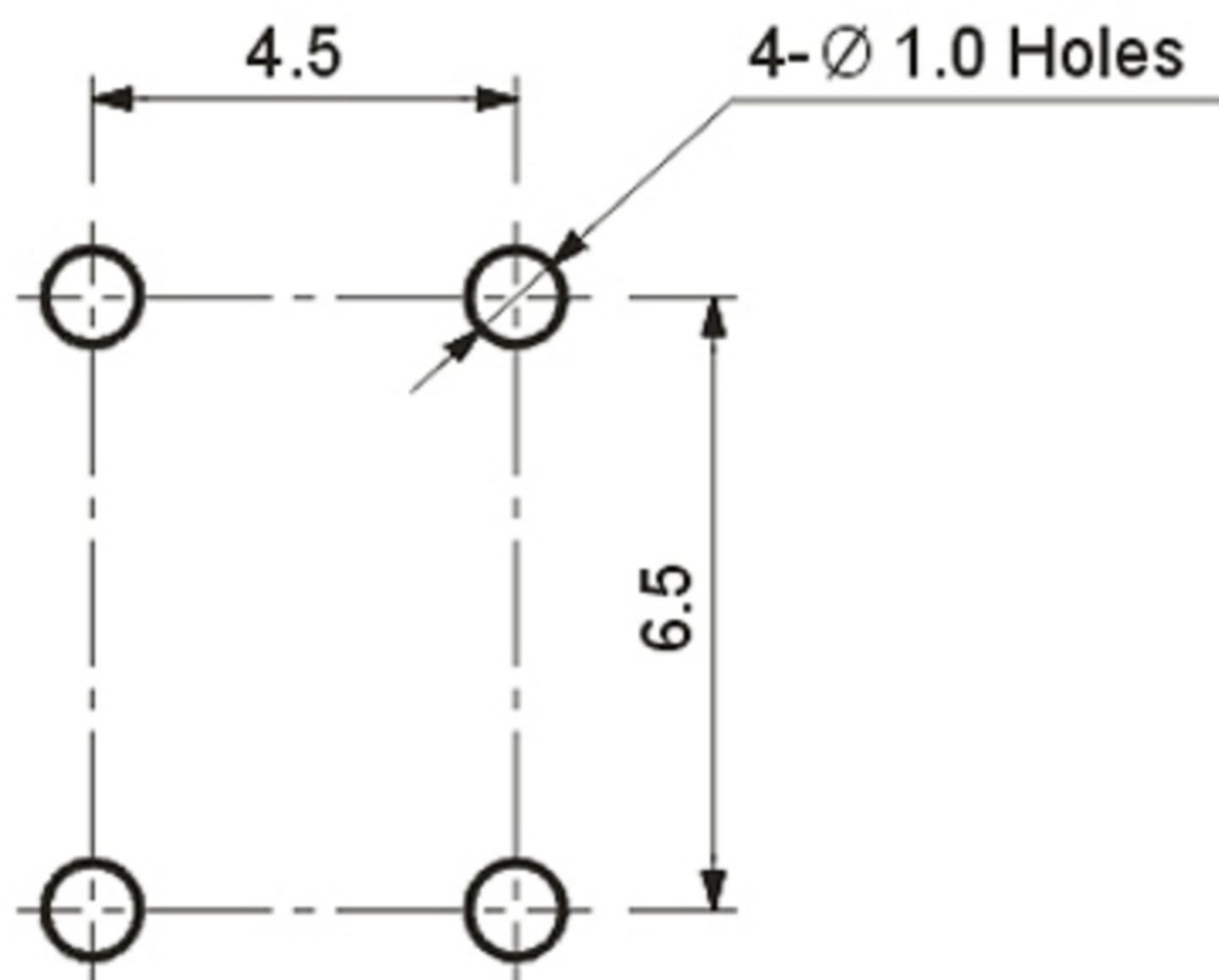
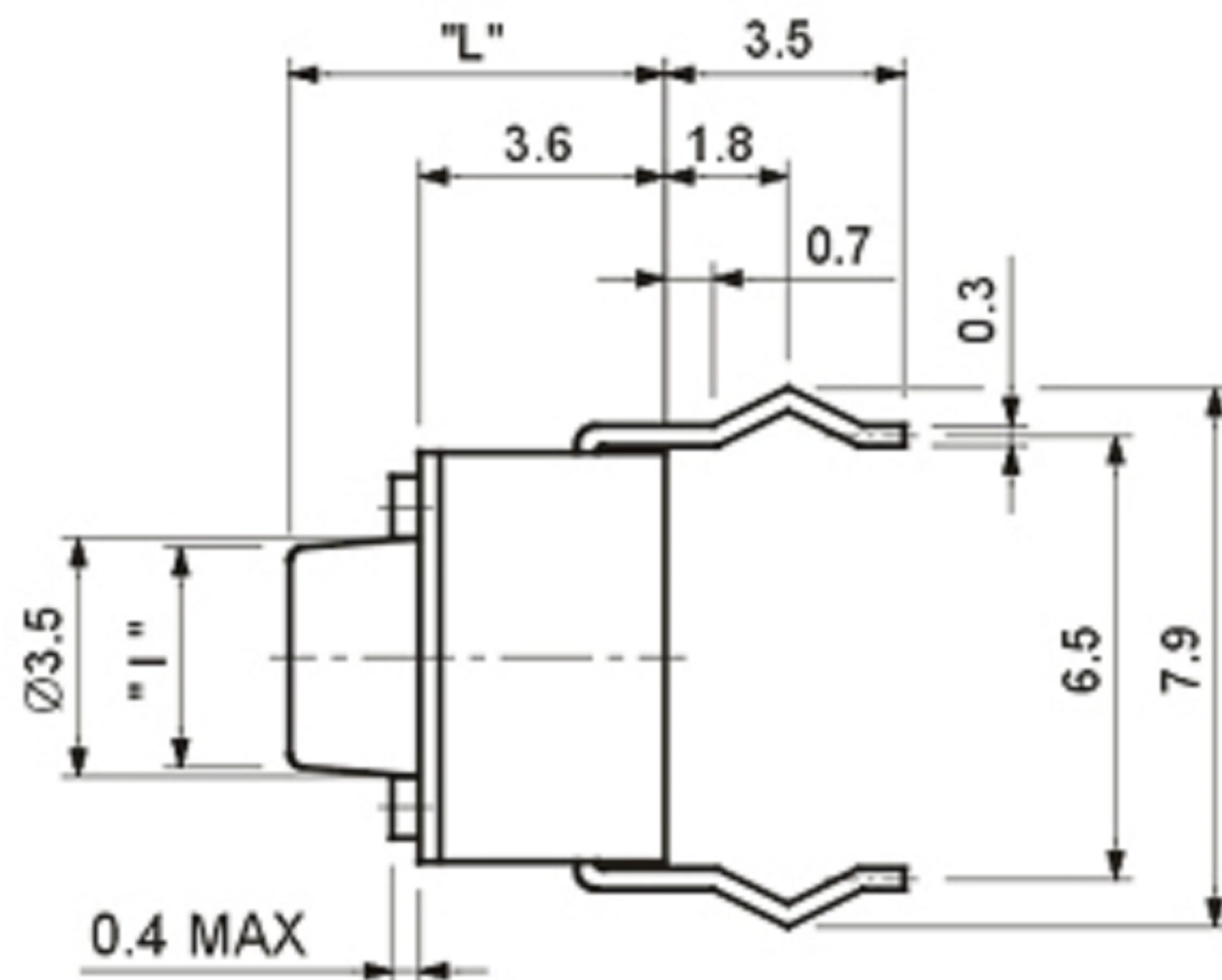
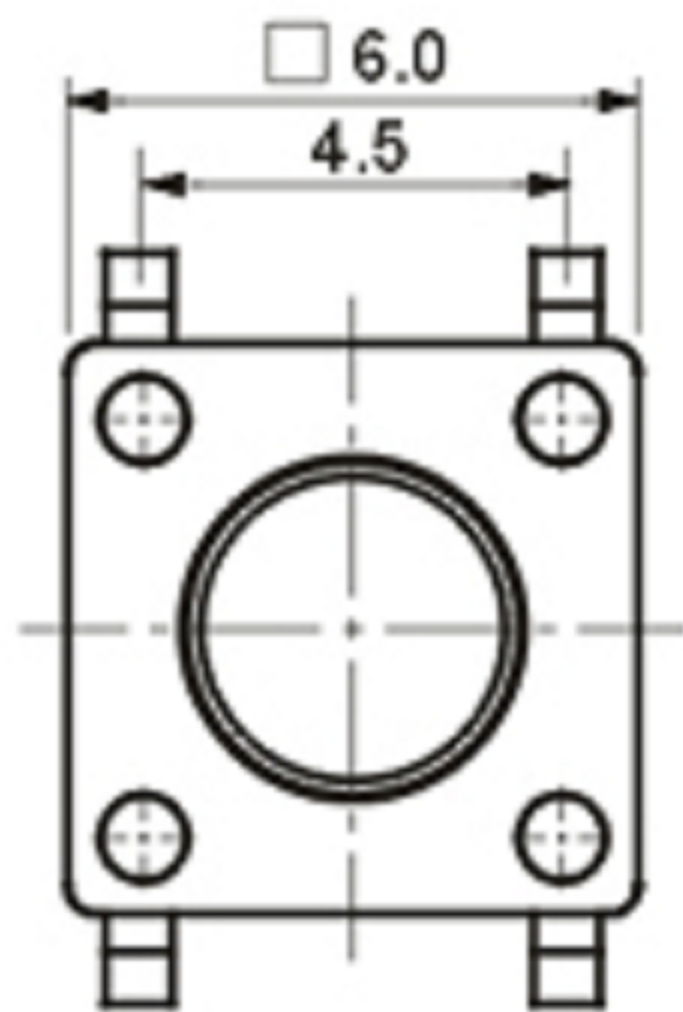


CAD FILE:

ROHS



CIRCUIT DIAGRAM

1. Contact : Mechanical Contact
2. Travel : 0.25±mm
3. Operating Force : 160±50gf 250±50gf
4. Life : 100,000 Cycles Min.
5. Contact Resistance : 30mΩ Max.
6. Stem Color:Black
7. L:4.3/4.5/5.0/5.5/6.0/6.5/7.0/8.0/9.0/10.0

P.C.B HOLE DIMENSION

8					TOLERANCE					
7					UNLESS SPECIFIED					
6					WITHIN 1.5mm : ±0.1mm	A	2012-9-25	初版		ZENQ. CHEN
5					OVER 1.5mm : ±0.2mm	ISSUE	DATE	DESCRIPTIONS OF REVISION		APPD.
4	CONTACT	SUS	1	Ag CLAD	TITLE : Tact Switch			UNIT : mm	DRWG NO.: XB-TS-1230	
3	CASE	PPA/BRASS SRTIP	1	BLACK/Ag PLATED	MODEL: XB-TS-1230			SCALE: 5:1	DWN.	JUN. YANG 2012-9-25
2	COVER	STEEL STRIP	1	Ni PLATED	东莞市溪榜电子有限公司 DONG GUAN XI BANG ELECTRONICS CO., LTD.			CHK'D	DONG. PANG	2012-9-25
1	KNOB	PPA	1	BLACK				APPD.	ZENQ. CHEN	2012-9-25
NO.	PARTS	MATERIALS	Q'TY	FINISH						