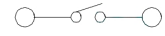
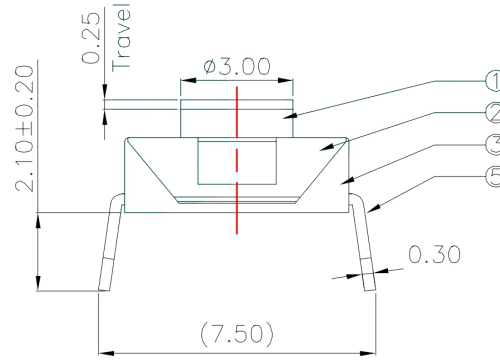
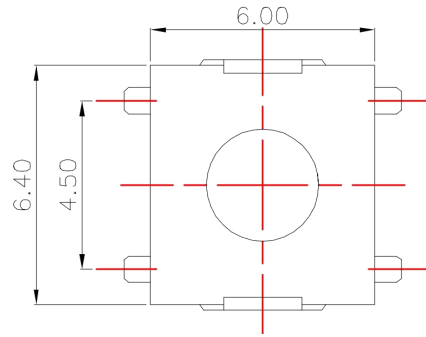
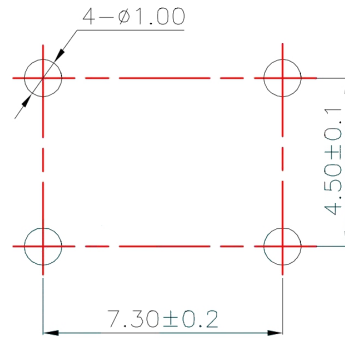
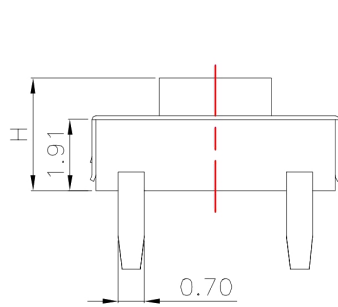


CAD FILE:



Circuit Diagram

**SCHEMATIC**



PCB Layout(Pattern side)

NO.1	
PART NO	H
B	2.5
C	3.2
D	3.4
E	5.5

NO.3	
PART NO	MATERIAL/QTY
S	SUS/1PC
C	C5210/1PC
D	SUS/2PCS
F	C5210/2PCS

NO.2	
PART NO	vigor
1	90±30
2	130±30
3	180±30
4	250±30
5	350±50

NO.4-NO.5	
PART NO	NOTE
01~99	SERIAL NUMBER

注：“\*”表示关键尺寸(4个).

NO.	PARTS	MATERIALS	Q'TY	FINISH	TOLERANCE UNLESS SPECIFIED	ISSUE	DATE	DESCRIPTIONS OF REVISION	APPD.
8									
7									
6					WITHIN 1.5mm : ±0.1mm	A	2012-9-25	初版	ZENQ.CHEN
5					OVER 1.5mm : ±0.2mm	ISSUE	DATE	DESCRIPTIONS OF REVISION	APPD.
4	CONTACT	SUS	1	Ag CLAD	TITLE : TACT SWITCH			UNIT : mm	DRWG NO.: XB-TS-1162D
3	CASE	PPA/BRASS SRTIP	1	BLACK/Ag PLATED	MODEL:			SCALE: 5:1	DWN. JUN. YANG 2012-9-25
2	COVER	STEEL STRIP	1	Ni PLATED	DONG GUAN XI BANG ELECTRONI CS CO., LTD.			CHK'D DONG. PANG 2012-9-25	
1	KNOB	PPA	1	BLACK	DONG GUAN XI BANG ELECTRONI CS CO., LTD.			APPD. ZENQ. CHEN 2012-9-25	
NO.	PARTS	MATERIALS	Q'TY	FINISH	DONG GUAN XI BANG ELECTRONI CS CO., LTD.			APPD. ZENQ. CHEN 2012-9-25	



东莞市溪榜电子有限公司  
DONG GUAN XI BANG ELECTRONI CS CO., LTD.